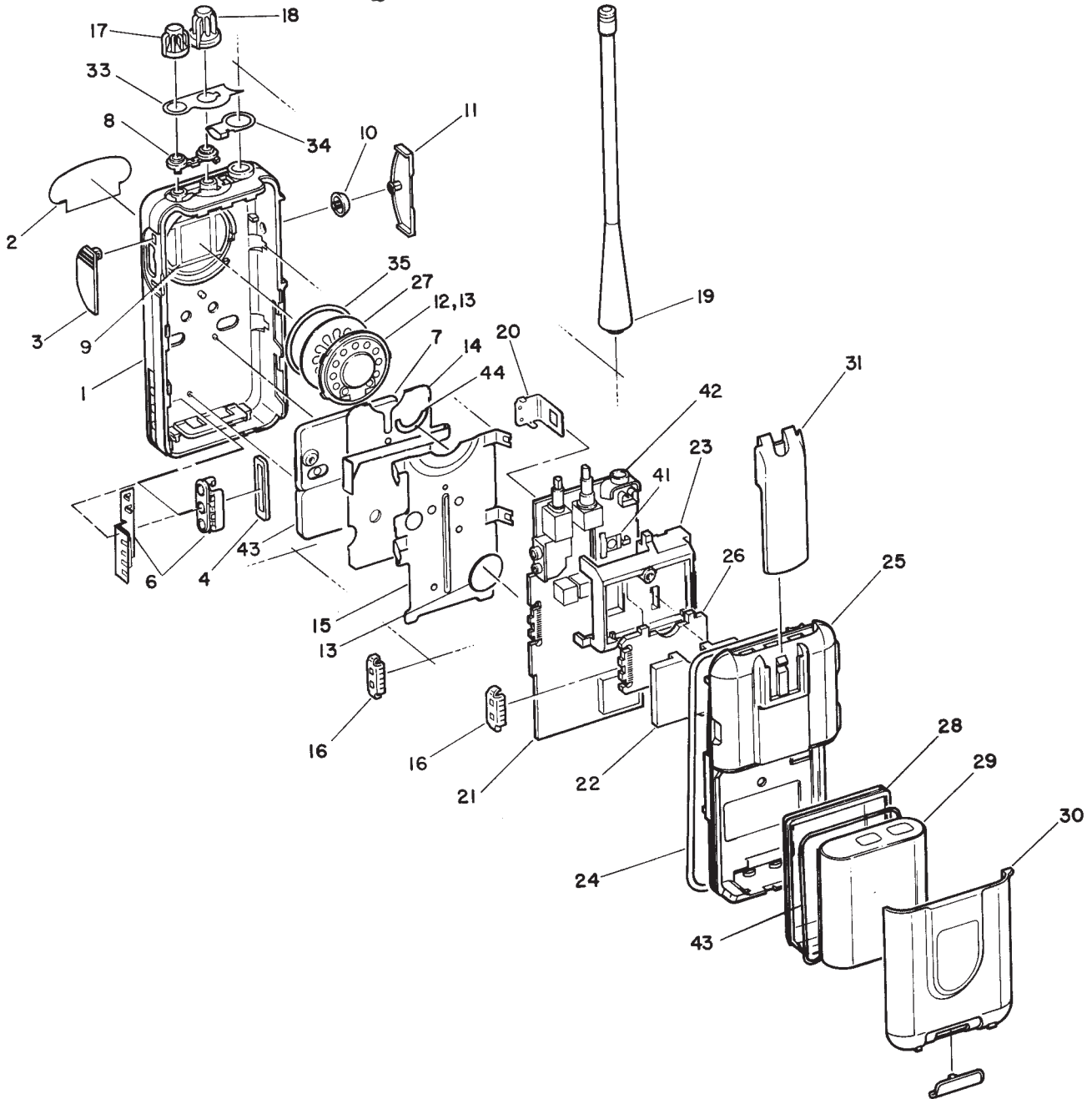


SP50/SP50+ Series

Parts List



SP50/SP50+ Series

Parts List

REF. NO.	PART NO.	DESCRIPTION
1	1580423D04*	Housing, Standard
2	1380416D03	Nameplate, SP50
	1380416D04	Nameplate, SP50+
3	3880430D01	Dust Cap
4	0780414D01	Support, charging contacts, Compact
5	0402838X01	Washer, Special (2 req'd)
6	0180621D02	Assy, charging contact, Standard
7	7580437D04	Keypad
8	3280511D01	Seal, control shaft
9	3580539D01	Felt, Speaker
10	3880502C04	Actuator, PTT
11	4580434D01	Lever, PTT
12	5005256W01	Speaker
13	7580418D01	Pad, speaker, 3 used, Compact 4 used, Standard
16	4285776M01	Clip, flex connector
17	3680583B01	Knob, volume
18	3680431D03	Knob, frequency 10-channel
	3680431D02	Knob, frequency 6-channel
	3680431D01	Knob, frequency 2-channel
19	----	Antenna (see Antenna Section)
20	4280578D01	Clip, PA chassis
21	----	PCB, main board – not available
22	----	Shield, option board – not available
24	3280545C01	"O" Ring, gasket, Compact
	3280545C02	"O" Ring, gasket, Standard

REF. NO.	PART NO.	DESCRIPTION
25	1580420D01	Cover, back, Compact
	1580571D01	Cover, back, Standard
26	----	PCB, option board – not available
27	2680537D01	Disc, speaker
28	0180616D01	Frame, battery, Compact
	0180620D03	Frame, battery, Standard
29	----	Battery (see accessories)
30	0180415E03	Assy, battery latch cover, Compact
	0180415E04	Assy, battery latch cover, Standard
31	----	Clip, belt (see accessories)
33	1380512D03	Escutcheon, top plate, 10-channel
	1380512D02	Escutcheon, top plate, 6-channel
	1380512D01	Escutcheon, top plate, 2-channel
34	3980514D03	Contact, RF ground
35	7580538D01	Ring, Speaker
41	4280543D01	Clip, PA ground (must be discarded and replaced when repairing Q104)
42	0280689C04	Nut, Antenna
43	3280612D03	"O" Ring, battery frame, Compact
	3205082E67	"O" Ring, battery frame, Standard
44	1480541D01	Pad, speaker support

* If older standard housing (D02) is being replaced with D04, the D02 charging contact assembly must be used.

SP50/SP50+ Series

Portable Accessories

Chargers

Chargers

Single unit chargers are available in either desktop or compact styles for small system users. Multiple unit chargers can be wall or rack mounted and are ideal for multi-shift operations. All chargers are specifically designed to meet the requirements of batteries manufactured by Motorola.

Single Unit Chargers, Rapid Rate

HTN9013B 120 Volt 3 Hour Desktop Charger (SP50 standard models – do not recommend use of the wall charging adapter (HTN8232) due to charging time of 18-20 hours)



HTN9013B

HTN9015B 220 Volt, European Plug, 3 Hour Desktop Charger (SP50 standard models—do not recommend use of the wall charging adapter (HTN8232) due to charging time of 18-20 hours)

HTN9059A 240 Volt, UK Plug, 3 Hour Desktop Charger (SP50 standard models—do not recommend use of the wall charging adapter (HTN8232) due to charging time of 18-20 hours)

Single Unit Chargers, Standard Rate



HTN9014C

HTN9014C 120 Volt—10 hour desktop charger (SP50 standard models—do not recommend use of the wall charging adapter (HTN8232) due to charging time of 18-20 hours)

HTN9016C 220 Volt, European Plug, 10 Hour Desktop Charger (SP50 standard models—do not

recommend use of the wall charging adapter (HTN8232) due to charging time of 18-20 hours)

HTN9058B 240 Volt, UK Plug, 10 Hour Desktop Charger (SP50 Standard models—do not recommend use of the wall charging adapter (HTN8232) due to charging time of 18-20 hours)

Chargers

HTN8232A Wall Charging Adapter, 120V (18-20 hrs for standard models, and 10 hrs for compact)

HTN9002A Wall Charging Adapter, 220V (18-20 hrs for standard models, and 10 hrs for compact), European plug

HTN9057A Wall Charging Adapter, 240V (18-20 hrs for standard models, and 10 hrs for compact). UK plug

Multi-Unit Chargers

Multi-unit chargers can charge up to six batteries and are available in a variety of voltages for domestic and international applications.



HTN9067B

HTN9067B 120 Volt, Six-Unit, 3 Hour Multi-Unit Charger

HLN9090B Six-Unit Charger Conversion Kit, 120V (for use with HTN9013)

HTN9068A Six-Unit Multi-Unit Charger, Rapid Rate, 220V, European Plug

HLN9091A Six-Unit Charger Conversion Kit, 220V (for use with HTN9015)

HTN9070A Six-Unit Multi-Unit Charger, Rapid Rate, 240V, UK Plug

HLN9200A Six-Unit Charger Conversion Kit, 240V (for use with HTN9059A)

HLN9293A Wall Mount Bracket, use with multi-unit charger

SP50/SP50+ Series

Portable Accessories

Motorola Conditioning Charger (MCC)

The MCC will help extend battery life and enhance battery operation. It will safely condition and charge your specified nickel cadmium (NiCd) and nickel metal hydride (NiMH) batteries in approximately an hour.

WPPN4002BR Base Charge Unit Only, 110V AC

WPPN4006AR Base Charge Unit Only, 220V AC

WPPN4065BR Four-Station Base, 110V (order adapter plates separately)

WPPN4008BR

Adapter Only, 7V

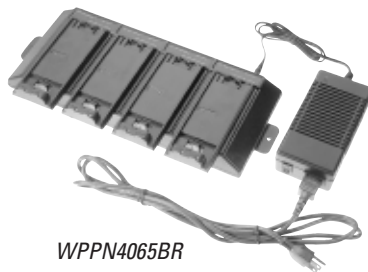
WPLN4092BR Motorola Conditioning Charger Kit, 110V AC (includes base unit and 7V adapter)

WPLN4093BR Motorola Conditioning Charger Kit, 220V AC (includes base unit and 7V adapter)

3080384G15 Cigarette Lighter Adapter

RLN4814A Vehicular Mounting Bracket for single unit Motorola Conditioning Charger

3080384M21 DC Hard Wire Cable for Vehicular Installation (included in RLN4814A)



WPPN4065BR



WPLN4092BR

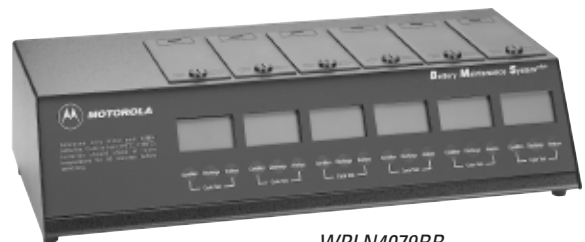


3080384M21

Battery Maintenance System^{plus} (BMS^{plus})

Using interchangeable battery adapters (sold separately), the BMS^{plus} is capable of charging and discharging, analyzing, conditioning and cycle test on batteries; tracking battery voltage and capacity (mAh).

The BMS^{plus} offers a 3 year warranty. Its easy-to-use design supports hundreds of 2-way, cellular, and camcorder batteries with printer port* (Serial-RS-232C port – uses female 9-pin to male 25-pin cable).



WPLN4079BR

WPLN4079BR Six-Station, 110V AC, 50/60 Hz

WPLN4080BR Six-Station, 230V AC, 50/60 Hz

NDN4005B Three-Station, 110V AC, 50/60 Hz (does not support Li-ion or 3-cell batteries)

NDN4006B Three-Station, 230V AC, 50/60 Hz (does not support Li-ion or 3-cell batteries)

BMS^{plus} Field Upgrade Kit

WPPN4085BR BMS^{plus} Field Upgrade Kit for WPLN4079AR, **WPLN4080AR** and WPLN4081AR allows these units to support Li-ion battery chemistries

Battery Maintenance System^{PLUS} Adapter

TDN9447A Standard Adapter. For use with HNN9044A and HNN9018A batteries.

* Compatible with the STAR Micronics SP200 series printers, available from any STAR Micronics distributor, and other printers with STAR emulation.

SP50/SP50+ Series

Portable Accessories

Battery Optimizing System II (BOS II)



WPLN4124AR

No other battery analyzer matches the speed, accuracy, and versatility of the Battery Optimizing System II. Ideal for large fleet, public safety, and all other users who rely on their battery performance. Now with increased power, more sophisticated programming options, and easier to use navigation paths, optimizing your batteries was never easier. Key features include:

- Support for NiCd, NiMH, Li-ion, and SLA batteries
- 100 watt power supply and programmable from 100 mA to 4 amps per station
- Interchangeable adapters accommodate all major brands
- Includes a variety of user programs and allows for customizable programming
- Proprietary recondition cycle restores NiCd and NiMH batteries
- Increased processing power and testing resolution – including a three minute Quicktest that measures the battery's State of Health (SoH)
- Printer output for reports and labels
- Three year warranty

WPLN4124AR BOS II, Four-Station, 100-240V AC (US line cord)

WPLN4125AR BOS II, Four-Station, 100-240V AC (UK/Euro line cords)

BOS II Battery Adapter

RL-71292 Standard Adapter, SP50

Miscellaneous

RKN4037A Cable/Clip Lead, 7.5V

Carrying Accessories

Carrying Cases

A variety of carrying accessories are available for your comfort and convenience. The carrying cases are available in sizes designed to fit your radio and battery and permit audio to be heard clearly.

Leather Carrying Cases

HLN9125B Hard Leather Carrying Case with Belt Loop – SP50 standard models only

HLN9122B Hard Leather Carrying Case with Belt Loop – SP50+ compact models only

HLN9129B Hard Leather Carrying Case with Swivel (SP50 standard model size case with spacer included for use with SP50+ compact models)



HLN9125B

DTMF Carrying Cases

HLN9128B DTMF Leather Carrying Case with Swivel (SP50 standard model ships with a spacer for use with SP50+ compact models)



HLN9128B

Nylon Carrying Cases

HLN9126A Nylon Carrying Case with Belt Loop – SP50 standard models only

HLN9127A Nylon Carrying Case with Belt Loop – SP50+ compact models only



HLN9127A

Belt Clips

HLN9724A 2-1/2" Belt Clip

HLN8255B 3" Spring Action Belt Clip

Belt

4200865599 1-3/4" wide leather belt for all models



HLN9149AR

Swiveller

HLN9149AR Swivel Belt Loop Adapter

SP50/SP50+ Series

Portable Accessories

Carrying Accessories

Straps

4280379E59 Replacement Strap for "A" version HLN9122, HLN9125, HLN9128 and HLN9129

4280379E58 Replacement Strap for "B" version HLN9122, HLN9125, HLN9128 and HLN9129

Waterproof Bag

HLN9985B Waterproof Bag, includes large carrying strap

Chest Pack

HLN6602A Universal Chest Pack with Radio Holder, Pen Holder and Velcro Secured Pocket

1505596Z02 Replacement Strap for HLN6602



HLN6602A



RLN4570A

Break-a-Way Chest Pack

All of the same features as the original chest pack (HLN6602A) plus break-a-way tabs that allow the entire pack to be pulled off with approximately 10 lbs of pressure. Perfect for railroads, manufacturing locations, construction sites and anywhere that safety is a concern.

RLN4570A Break-A-Way Chest Pack



RLN4815A

RadioPAK™

It's different from all other holders or cases: more comfortable, more useful, and more stylish. Worn around the waist, it holds two-way, iDEN portables or cellular phones right at hand. Includes a separate 6"x8" zippered pouch for other on-the-job necessities. Adjustable nylon weave belt; fits both men and women.

RLN4815A RadioPAK™ Radio/Utility Case

4280384F89 Universal RadioPAK™ Belt Lengthener; fits waists larger than 40"

Carrying Accessories

Portable Radio Hanger

TDN9327A Portable Radio Hanger – for door panels up to 2-3/4" (slides over and hangs from the panel in vehicle); radio belt clip is required

TDN9373A Portable Radio Hanger – for door panels up to 2-3/4" to 3-1/4" (slides over and hangs from the panel in vehicle); radio belt clip is required



TDN9373A

Miscellaneous Carrying Accessories

Universal Holder with Gooseneck Bracket provides flexible mounting solutions for portable radios

RLN4943A Universal Holder with Gooseneck Bracket

RLN4945A Universal Holder with Gooseneck Bracket and Wheelchair Quick Release Assembly

RLN4944A Wheelchair Quick Release Assembly

Audio Accessories



HMN9030A

Remote Speaker Microphones

Allows you to talk and listen without removing the radio from the belt, case or charger. This water resistant compact unit has a coiled cord, PTT switch and clothing clip on back cover.

HMN9030A

Remote Speaker Microphone

HKN9094A Replacement Cord for HMN9030

MicJackets

The MicJackets provide protection to the "head" of the remote speaker microphone. MicJackets are ideal for environments where the user's remote speaker microphone is exposed to dust, dirt, and metal particles.

RLN4904A MicJacket Kit (compatible with microphone HMN9030)



RLN4904A

SP50/SP50+ Series

Portable Accessories

Audio Accessories

Pellet Style Earpieces

Allows the user to receive and transmit communication discreetly.

HMN9036A Earbud with Clip Microphone and PTT

HLN9132A Receive-only Earbud

7580372E70 Replacement Foam Ear Cushion for Pellet Earpieces (pack of 10)



HMN9036A

Ultra-Lite Earpiece with Microphone and Push-to-Talk

Small and lightweight, this earpiece clips comfortably to the ear and features a boom microphone and in-line PTT.

PMMN4001A Ultra-lite Earpiece with microphone and push-to-talk.



PMMN4001A

Flexible Ear Receiver

BDN6720A Flexible Ear Receiver – earpiece without volume control (flexible earloop and speaker which rests external to ear)

7580372E11 Replacement Foam Ear Cushion for BDN6720A

Completely Discreet Earpiece

Enables users to communicate with ease, in full privacy, without visible equipment. This miniaturized receiver is discreetly hidden in ear, where it fits comfortably for long periods at a time. Small as it is, it offers a full range of audio functions including automatic squelch, automatic gain control and noise filtering. Average battery life is approximately 100 hours and includes an end-of-life battery circuit generating a warning signal when the battery needs to be changed.

Kit includes wireless receiver plus an inductive neckloop. Just remove the earpiece on any standard 2- or 3-wire Motorola surveillance kit (sold separately) and plug in the neckloop to use. Kit includes 6 spare batteries and 5 replacement ear wax guards.

RLN4922A Completely Discreet Earpiece Kit

RLN4919A Ear Wax Guards, 5 per pack

RNN4005A 1.4 Volt Battery, 6 per pack

Audio Accessories

Surveillance Kits

Surveillance accessories allow the user to privately receive communication with the earpiece and are ideal when environments require discreet communication

HMN9727B Receive-only Surveillance Kit, beige (single-wire)

RLN4894A Receive-only Surveillance Kit, black (single-wire)

HMN9752B Receive-only Surveillance Kit with volume control, beige (single-wire)



RLN4894A



HMN9754D

HMN9754D Two-wire Surveillance Kit with microphone and push-to-talk combined, beige, FM approved

RLN4895A Two-wire Surveillance Kit with microphone and push-to-talk combined, black

RLN5198AP Retail packaged surveillance kit (HMN9754D) with low noise kit

Surveillance Kits with Extended Wear Earpiece

These kits include a comfort earpiece with a rubber ear tip and a clear comfortable acoustic tube. Users can hear transmissions clearly, while the clear tube provides a discreet appearance.

RLN5317A Two-wire Comfort Earpiece with Combined Microphone and Push-To-Talk, beige

RLN5318A Two-wire Comfort Earpiece with Combined Microphone and Push-To-Talk, black

SP50/SP50+ Series

Portable Accessories

Audio Accessories

Noise Kits

Extreme Noise Kits provide extra comfort and/or noise protection for users wearing surveillance accessories. Lightweight, translucent tube attaches to Motorola surveillance accessories to provide flexibility and comfort. Clothing clip prevents accessory from being pulled from the ear due to body movement or head rotation. For optimal performance, Extra Loud Earphones are recommended for Noise Kits.

NTN8370A Extreme Noise Kit. Includes 2 foam earplugs. For high noise environments, provides 24dB of noise reduction. Can be used with Clear Comfortable Earpieces, sold separately.

NTN8371A Low Noise Kit - Clear Acoustic Tube Assembly. Includes 1 rubber eartip. For low noise environments, does not provide hearing protection.

5080369E39† Extra Loud Earphone. Beige.

5080370E91† Extra Loud Earphone. Black.

Surveillance Replacement Accessories

5080370E97 Standard Rubber Eartips, Clear.

5080384F72 Replacement Foam Plugs. Pack of 50. For use with NTN8370A. Noise Reduction Rating = 24dB.

Clear Comfortable Earpieces

The Clear Comfortable Earpiece forms to the inside of the ear and is perfect for low noise environments. It's made of easy-to-clean, chemically-inert, hypo-allergenic material. Compatible with NTN8371A and all Motorola Surveillance Kits.

RLN4760A Small Custom Earpiece - Right Ear

RLN4761A Medium Custom Earpiece - Right Ear

RLN4762A Large Custom Earpiece - Right Ear

RLN4763A Small Custom Earpiece - Left Ear

RLN4764A Medium Custom Earpiece - Left Ear

RLN4765A Large Custom Earpiece - Left Ear

* Intrinsicly safe

† Extra Loud Earphones exceed OSHA limits.



Audio Accessories

Ear Microphone System (EMS)

This compact unit picks up the voice through bone vibrations in the ear canal. The miniature earpiece leaves the hands free and face unobscured when worn by rescue and hazard protection personnel, who still retain the ability for direct hearing and speaking. For personnel required to wear breathing apparatus, communications with protective masks are as clear as communications without. And its high speech clarity under noisy environments makes it ideal for high noise environments. Available in PTT or Voice Activated (VOX).

BDN6646C* Ear Microphone for standard noise levels (up to 95dB) with Push-To-Talk interface, (HLN8096 security clamp is recommended and must be ordered separately)



BDN6646C

BDN6706B* Ear Microphone for standard noise levels (up to 95dB) with Push-To-Talk/voice-activated interface module, (HLN8096 security clamp is recommended and must be ordered separately)

Ear Microphone System (EMS) Accessories

5080371E73 Rubber Ear Inserts for single wire and two wire earpieces – quantity 25

0180358B38* Remote Push-To-Talk Ring Switch for ear microphone system

0180300E83 Remote Push-To-Talk Body Switch for ear microphone system

0180300E25 Earguard with Adjustable Loop

0180358B32 Earholder, Black, Size Small

0180358B33 Earholder, Black, Size Medium

0180358B34 Earholder, Black, Size Large

0180358B35 Earholder, Clear, Size Small

0180358B36 Earholder, Clear, Size Medium

0180358B37 Earholder, Clear, Size Large



0180358B38



0180358B33

(Continued)

SP50/SP50+ Series



Portable Accessories

Audio Accessories

- 4280369E44** Replaceable Belt clip with Screws
- 5080358B28** Eartips. Black, size medium. Pack of 10.
- 5080358B29** Eartips. Black, size large. Pack of 10.
- 5080358B30** Eartips. Beige, size medium. Pack of 10.
- 5080358B31** Eartips. Beige, size large. Pack of 10.

Lightweight Headsets

Lightweight headsets allow for high clarity, hands free, discreet two-way communications while adding comfort for extended wear in moderate noise environments.



HMN9013A

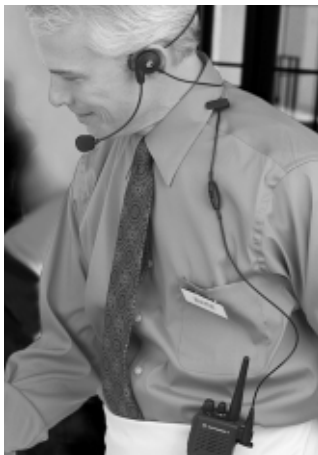
HMN9013B Lightweight Single-muff Adjustable Headset with Swivel Boom Microphone

HLN9133A VOX Adapter Kit for use with HMN9013B

REX4648A Replacement Windscreen Microphone and Foam Ear Pad for use with HMN9013B

RMN4016A Lightweight Single-muff Adjustable Headset with Swivel Boom Microphone and in-line PTT button

RLN5411A Ultra-light Behind-the-Head Headset with Flexible Boom Microphone and in-line push-to-talk



RLN5411A

Audio Accessories

Noise-Canceling Headsets with Boom Microphone

Ideal for two-way communication in extremely noisy environments. Dual-muff tactical headsets include two microphones on the outside of the earcups which reproduce the ambient sound back into the headset. Harmful sounds are suppressed to a safe level and low sounds are amplified up to 5 times the original level, but never more than 82dB(A). Includes on/off volume control on earcups and 3-foot curly cord. Easily replaceable earseals are filled with liquid and foam combination to provide excellent sealing and comfort. Requires separate in-line PTT adapter cable. Hardhat not included.

RMN4052B Tactical Headband Style Headset, grey; noise reduction rating of 24dB



RMN4052A



RMN4053A

RMN4053B Tactical Hardhat Mount Headset, grey; noise reduction rating of 22dB

Hardhat Mount Headset with Noise-Canceling Boom Microphone

Ideal for two-way communication in high-noise environments; mounts easily to hardhats with slots, excellent noise reduction of 22dB. Easily replaceable earseals are filled with liquid and foam combination to provide excellent sealing and comfort. 3-foot curly cord assembly. Requires separate in-line PTT adapter cable RKN4094A. Hardhat not included.

RMN4051B Two-Way Hardhat Mount Headset, black



RMN4051B

Adapter Cables

RKN4094A In-Line PTT Adapter Cable for GP300, SP50, SP50+ and P1225 radios. For use with RMN4052B and RMN4053B.

SP50/SP50+ Series

Portable Accessories

Audio Accessories

Replacement Earseals for Headsets

RKN4923A Includes Two Replacement Snap-In Earseals; recommended replacement interval is once every six months to ensure constant level of attenuation, hygiene and comfort. For RMN4051B, RMN4052B, and RMN4053B.

Medium Weight Headsets

Medium weight headsets offer high-clarity sound with the additional hearing protection necessary for providing consistent, clear two-way radio communication in harsh, noisy situations.

HMN9021A Medium Weight Dual Muff Headset, over the head noise reduction rating = 24dB



HMN9021A



BDN6647F

HMN9022A Medium Weight Dual Muff Headset, behind the head (can be worn with helmet); noise reduction rating = 24dB

BDN6647F Medium-weight Headset with Swivel Boom Microphone, Single Speaker

Replacement Items for HMN9021A & HMN9022A

- 7580376E34** Replacement Foam Earseals (1 pair)
- 1580376E32** Replacement Cloth Cover for Earseals (1 pair)
- 5080548E02** Replacement Windscreen for Boom Microphone
- 3280376E35** Replacement O-ring for windscreen
- 3080384L77** Replacement Cable
- 4204004K01** Replacement Adjustable Headstrap for HMN9022A

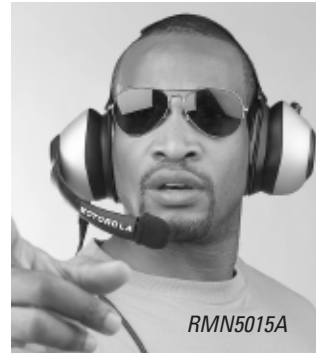
Replacement Items for BDN6647F

- 5080371E66** Replacement Earpad for BDN6647
- 3580371E59** Replacement Windscreen (for boom microphone) for use with BDN6647

Audio Accessories

Racing Headset

Motorola is the Official Wireless Equipment supplier of CART®, so whether your customer's playing field is a racetrack, construction site or other challenging environment, they can count on this Racing Headset for superior comfort and dependable operation.



RMN5015A

RMN5015A Heavy Duty, behind the head Headset with Noise Cancelling Swivel Boom Microphone. Noise Reduction Rating = 24dB (adapter cable required and sold separately)

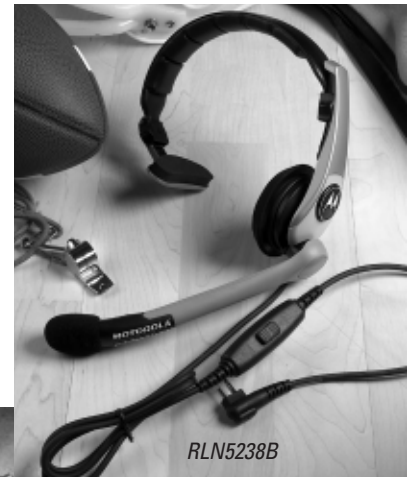
RKN4090A Adapter Cable for Racing Headset (RMN5015)

NFL® Style Headsets

NFL Style Headsets are similar to the headsets worn by Coaching Staff in the NFL.

RLN5238B Single-Muff, Lightweight Headset with Swivel Boom Microphone

RMN5047A Single-Muff, Heavy-Duty Headset with Swivel Boom Microphone



RLN5238B



RMN5047A

SP50/SP50+ Series



Antennas,
Batteries,
Option Boards, Kits

Portable Antennas

Heliflex Antenna

Motorola Heliflex antennas are specifically engineered for maximum output and greatest communication coverage.

NAD6502AR

VHF Heliflex, 146-174MHz, 6"



NAD6502AR

Stubby Antennas

These stubby quarterwave antennas are ideal when radio is worn on the belt because the short antenna is non-obtrusive.

NAE6522AR

UHF Heliflex Stubby,
438-470MHz, 3"



HAD9743A

HAD9742A

Stubby, 146-162MHz, 3"

HAD9743A

Stubby, 162-174MHz, 3"

Flexible Whip Antenna

Flexible Whip antennas have a one-piece finish and steel core for optimal radiation characteristics. Provides more comfort when radio is worn on the belt.

NAE6483AR

Flexible Whip, 403-520MHz, 6"



NAE6483AR

Batteries

Part Number: **HNN9018AR**

Volts: 7.5

Avg. mAh: 1200

Height: 3-3/8"

Intrinsically Safe: No

(SP50 standard models only)



HNN9018A

Part Number: **HNN9044AR**

Volts: 7.5

Avg. mAh: 550

Height: 2-3/16"

Intrinsically Safe: No

(SP50+ compact models only)



HNN9044AR

Option Boards

HLN3026A Quik-Call II Advantage Board

HLN3042A SmarTrunk II™ Advantage Board

Housing Kits

HHN9203A Compact 2-Channel Housing Kit

HHN9205A Standard 2-Channel Housing Kit

HHN9206A Standard 6-Channel Housing Kit

HHN9207A Standard 10-Channel Housing Kit

Retrofit Kits

HLN3024B DTMF 6-Channel Encoder and Keypad Retrofit Kit for Standard Models

HLN3046B DTMF 10-Channel Encoder and Keypad Retrofit Kit for Standard Models

HLN3047A DTMF 2-Channel Encoder and Keypad Retrofit Kit for Compact Models

* SmarTrunk II is a Trademark of SmarTrunk Systems, Inc.

SP50/SP50+ Series

Service Aids, Manuals

Service Aids

Programming Stand

HLN9102A Programming Stand

Programming Software

Utilizing your personal computer, this software enables you to add or reprogram frequencies as your requirements change. Requires Radio Interface Box and proper cables, order separately.

HVN9012D Programming Software, 3-1/2" diskette (includes manual and storage box)

Radio Interface Box

Links radio programming cable and computer interface together. Provides required voltage shift to enable communications between radio and computer. Requires computer interface cable, radio test and programming cable, and 9 volt snap battery (6082728J01), order separately.



RLN4008E

RLN4008E Radio Interface Box

RKN4034A RIB/Radio/Test Set Cable, connects radio to RTX4005 Test Box

0180357A57 AC Power Pack, 110V

0180358A56 AC Power Pack, 220V

Service Aids

Programming Cable

3080369B71 IBM to RIB Cable, 25 pin

3080369B72 IBM to RIB Cable, 9 pin

RLN4438A 25 pin F to 9 pin M Adapter

Antenna Adapter

HLN9087A Antenna Adapter

Cloning Cable

HKN9755A Cloning Cable

Manuals

6880903Z24 VHF, UHF Service Manual

6880903Z23 Users Training Guide

Over 7 million customers have made MyRadioMall.com America's #1 choice when it comes to dependable and reliable Motorola Communications at fantastic prices.

We are now celebrating our 12th year of online service and the best is yet to come.



Advanced Radio Systems, Inc
8726 NW 26 Street #6
Miami, Florida 33172
Voice Numbers: 305-884-1795
Toll Free: 1-866-900-Mall (6255)
Fax Number: 305-884-1985

12/25/2006