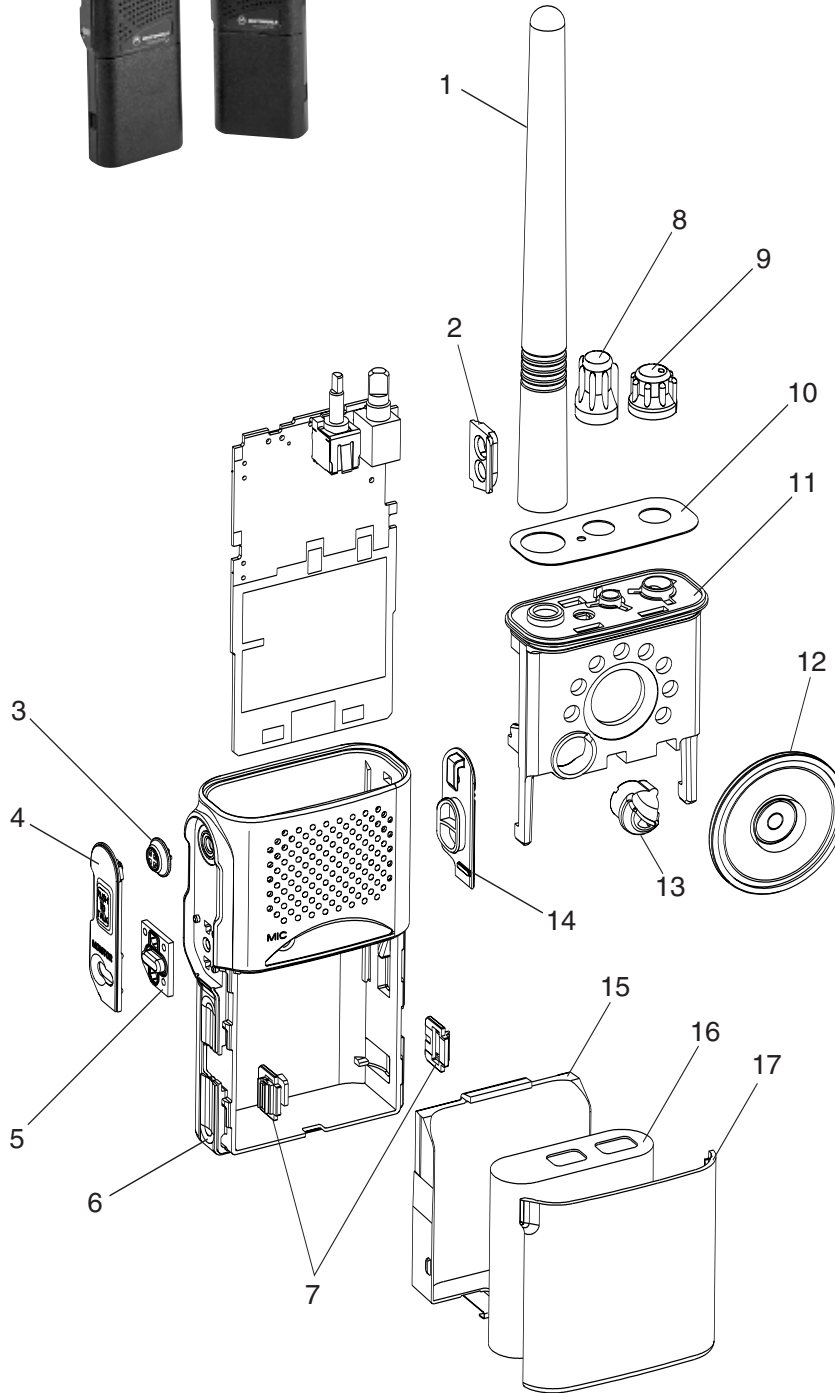


SP21 Series

Parts List



SP21 Series

Parts List

REF. NO.	PART NO.	DESCRIPTION
1	HAD9338AR	VHF Antenna
	NAE6483AR	UHF Antenna
	HAD9742A	VHF Stub Antenna 151-159
	HAE9001A	Antenna, UHF Stubby
2	0780632C01	Support, Optional Jack
3	3805296S01	Button, ACTR PTT
4	4580469C02	Lever, PTT/Mon
5	7580469D03	Keypad Monitor Process, Black
6	1580689U09	Housing, Black
7	5505264T01	Latch, Battery
8	3680684U01	Knob, Frequency 2 Ch (2 & 4 channel models only)
9	3680532E01	Knob, Volume
10	0180683U01	Assy Ant Plate Esc 1 Ch (1-channel models only)
	0180683U01	Assy Ant Plate Esc 1 Ch (2-channel models only)
	0180683U02	Assy Ant Plate Esc 2 Ch
11	1586378A01	Cover, Control Top
12	5080468C02	Mic
13	5086346A01	Speaker
14	3880688U01	Cap, Dust, Accessory
15	0180680U01	Assy, Tray
16		Battery pack – refer to battery page
17	1580690U09	Battery Cover, Black

NON-REFERENCED ITEMS:

HLN8255B	Spring, Belt Clip, Black
1380685U22	Escutcheon, SP21
3280466C01	"O" Ring, Main
6180968Y01	Lightpipe, LED
3580686U01	Felt, Speaker

Cancelled Product SP21: Aftermarket support period has been met for spare parts. Items may no longer be available.

SP21 Series

Portable Accessories

Chargers

Chargers

Single unit chargers available in either desktop or compact styles for small system users. Multiple unit chargers can be wall or rack mounted and are ideal for multi-shift operations. All chargers are specifically designed to meet the requirements of batteries manufactured by Motorola.



HTN9026CR

Single Unit Chargers, Rapid Rate

HTN9026CR Single Unit Charger, 3 Hour Rapid Rate, 120V

Vehicular Charger

HLN8251A 3-Hour Vehicular Charger Adapter and Bracket (for use with HTN9026CR Charger)

Single Unit Chargers, Standard Rate

HTN8232A Wall Charging Adapter, Standard Rate, 120V (18-20 hrs for standard models, and 10 hrs for compact)

HTN9002A Wall Charging Adapter, Standard Rate, 220V (18-20 hrs for standard models, and 10 hrs for compact), European plug

HLN8371A 10 Hour Desktop Charging Tray, Standard Rate, 120V (requires the use of HTN8232 or HTN9002 shipped standard with all radios)



HLN8371A

Charger Conversion Kits

Provides a convenient means for housing from one to six single battery chargers. Each charger operates independently.

HTN9295B Multi-unit Charger Conversion Kit (accommodates up to six HLN8371 or HTN9026, purchased separately)

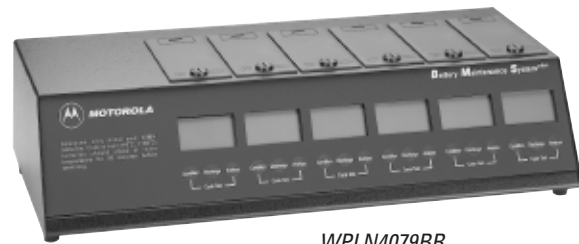
HLN9113A Desktop Charger, Converter Kit (compatible with HLN8371, HTN9026 or HTN9425); when added to your radio, this drop-in charger converter kit allows you to drop the entire radio into a desk top or spare battery charger

HLN9405 6-Unit Charger Conversion Kit, 120V, for use with HTN9042

Battery Maintenance System^{plus} (BMS^{plus})

Using interchangeable battery adapters (sold separately), the BMS^{plus} is capable of charging and discharging, analyzing, conditioning and cycle test on batteries; tracking battery voltage and capacity (mAh).

The BMS^{plus} offers a 3 year warranty. Its easy-to-use design supports hundreds of 2-way, cellular, and camcorder batteries with printer port* (Serial-RS-232C port – uses female 9-pin to male 25-pin cable).



WPLN4079BR

NDN4005B 3-Station, 110V AC, 50/60 Hz. Not for Li-ion or 3 cell batteries.

NDN4006B 3-Station, 230V AC, 50/60 Hz. Not for Li-ion or 3 cell batteries.

WPLN4079BR Six-Station, 110V AC, 50/60 Hz

WPLN4080BR Six-Station, 230V AC, 50/60 Hz

BMS^{plus} Adapter

TDN9447A Standard Adapter, SP10

* Compatible with the STAR Micronics SP200 series printers, available from any STAR Micronics distributor, and other printers with STAR emulation.

SP21 Series

Portable Accessories

Battery Optimizing System II (BOS II)



WPLN4124AR

No other battery analyzer matches the speed, accuracy, and versatility of the Battery Optimizing System II. Ideal for large fleet, public safety, and all other users who rely on their battery performance. Now with increased power, more sophisticated programming options, and easier to use navigation paths, optimizing your batteries was never easier. Key features include:

- Support for NiCd, NiMH, Li-ion, and SLA batteries
- 100 watt power supply and programmable from 100 mA to 4 amps per station
- Interchangeable adapters accommodate all major brands
- Includes a variety of user programs and allows for customizable programming
- Proprietary recondition cycle restores NiCd and NiMH batteries
- Increased processing power and testing resolution – including a three minute Quicktest that measures the batteries State of Health (SoH)
- Printer output for reports and labels
- Three year warranty

WPLN4124AR BOS II, Four Station, 100-240V AC (US line cord)

WPLN4125AR BOS II, Four Station, 100-240V AC (UK/Euro line cords)

BOS II Battery Adapter

RL-71292 Standard Adapter, SP21

Carrying Accessories

Carrying Cases

A variety of carrying accessories are available for your comfort and convenience. The carrying cases are available in nylon and leather.

HLN9836A Nylon Carrying Case with Belt Loop

HLN9837A Leather Carrying Case with Belt Clip



HLN9837A



HLN9836A

Belt Clips

PMLN4124A Replacement Belt Clip

HLN8255B 3" Spring Action Belt Clip

Belt

4200865599 1.75" wide leather belt for all models



HLN9149AR

Swiveller

HLN9149AR Swivel Belt Loop Adapter



HLN9974B

Straps

HLN9974B Replacement Strap for carrying cases

Holders

RLN4943A Universal Holder with Gooseneck Bracket. Provides flexible mounting solutions for portable radios.

RLN4945A Universal Holder with Gooseneck Bracket and Wheelchair Quick Release Assembly

SP21 Series

Portable Accessories

Carrying Accessories



HLN6602A

Chest Pack

HLN6602A Universal Chest Pack with Radio Holder, Pen Holder and Velcro Secured Pocket

1505596Z02
Replacement Strap for HLN6602

Break-a-Way Chest Pack

All of the same features as the original chest pack (HLN6602A) plus break-a-way tabs that allow the entire pack to be pulled off with approximately 10 lbs of pressure. Perfect for railroads, manufacturing locations, construction sites and anywhere that safety is a concern.

RLN4570A Break-A-Way Chest Pack



RLN4570A



RLN4815A

RadioPAK™

It's different from all other holders or cases: more comfortable, more useful, and more stylish. Worn around the waist, it holds two-way, iDEN portables or cellular phones right at hand. Includes a separate 6"x8" zippered pouch for other on-the-job necessities. Adjustable nylon weave belt; fits both men and women.

RLN4815A RadioPAK™ Radio/Utility Case

4280384F89 Universal RadioPAK™ Belt Lengthener; fits waists larger than 40"

HLN9985B Waterproof Bag – Includes Large Carrying Strap

Audio Accessories



HMN9051A

Remote Speaker Microphones (RSM)

Allow you to talk and listen without removing the radio from the belt, case or charger. Ideal for high noise level environments. This water resistant compact unit has a coiled cord, PTT switch and clothing clip on the back cover.

HMN9051A
Remote Speaker Microphone

MicJackets

The MicJackets provide protection to the "head" of the remote speaker microphone. MicJackets are ideal for environments where the user's remote speaker microphone is exposed to dust, dirt, and metal particles.

RLN4904A MicJacket Kit (compatible with microphone HMN9051)



RLN4904A

SP21 Series

Portable Accessories

Audio Accessories



HMN8435A

Pellet Style Earpieces

Allows the user to receive and transmit communication discreetly.

HMN9004A Receive-only Earbud (single wire)

HMN8435A Earbud with Clip Microphone and PTT (two wire)

7580372E70 Replacement Foam Ear Cushion for pellet earpieces

Noise Kits

Lightweight translucent tube attaches to Motorola surveillance kits. Clothing clip prevents the accessory from being pulled from the ear due to body movement or head rotation.

NTN8370A Extreme Noise Kit, includes 2 foam earplugs for loud environments and provides 24dB of noise reduction

NTN8371A Low Noise Kit, includes rubber eartip for low noise environments; does not provide hearing protection

5080384F72 Replacement Foam Plugs—pack of 50 (use with NTN8370), noise reduction rating = 24dB



NTN8370A



NTN8371A

Audio Accessories

Surveillance Kits

Surveillance accessories allow the user to privately receive communication with the earpiece and are ideal when environments require discreet communication.

HMN8433A Receive-only Surveillance Kit



HMN8433A



HMN9040A

Flexible Ear Receiver

HMN9040A Flexible Ear Receiver, receive-only (flexible earloop and speaker which rests external to ear)

7580372E11 Replacement Ear Cushion for HMN9040A

Surveillance Replacement Items

5080370E97 Standard Rubber Eartips, Pack of 25, Clear

5880377E06 Plastic Earloop Adapter

5080369E38 Standard Earpiece Assembly (includes Earphone, Earloop, and Eartip), Beige

5080369E40 Earloop, Plastic, Beige

SP21 Series

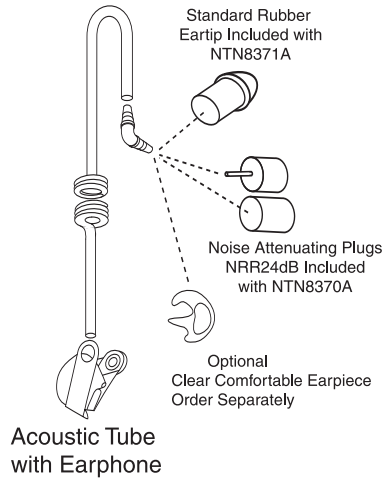
Portable Accessories

Audio Accessories

Clear Comfortable Earpiece

The clear comfortable earpiece forms to the inside of your ear and is perfect for low noise environments. Compatible with the NTN8371A, clear acoustic tube assembly, and most surveillance kits (1-, 2- and 3-wire). This earpiece is made of easy-to-clean chemically inert, hypoallergenic material. There are 3 items needed to make this product work:

1. Clear Comfortable Earpiece
2. Clear Acoustic Tube Assembly (NTN8371A)
3. Surveillance Kits



RLN4760A Small Custom Earpiece, right ear

RLN4763A Small Custom Earpiece, left ear

RLN4761A Medium Custom Earpiece, right ear

RLN4764A Medium Custom Earpiece, left ear

RLN4762A Large Custom Earpiece, right ear

RLN4765A Large Custom Earpiece, left ear

Audio Accessories

Headsets

BDN6774A Earpiece with Microphone (worn over ear with streamlined boom microphone)

4280376E47 Replacement over the ear loop for BDN6774A



BDN6773A Lightweight Style Single Muff Adjustable Headset with Swivel Boom Microphone

BDN6775A External Vox (voice-activation) Adapter (for use with BDN6773 or BDN6774)

REX4648A Replacement Windscreen (for boom microphone) and Foam Ear Pad



RLN5580A Ultra-Light Headset with Boom Microphone and In-Line Push-To-Talk (PTT)



SP21 Series

Antennas,
Batteries,
Service Aids, Manual

Portable Antennas

Heliflex Antenna

Motorola Heliflex antennas are specifically engineered for maximum output and greatest communication coverage.

HAD9338AR

Heliflex, 136-150.8MHz, 6"

Flexible Whip Antenna

Flexible Whip antennas have a one-piece finish and steel core for optimal radiation characteristics. Provides more comfort when radio is worn on the belt.

NAE6483AR

Flexible Whip, 403-520MHz, 6"



NAE6483AR

Stubby Antennas

These stubby quarterwave antennas are ideal when radio is worn on the belt because the short antenna is non-obtrusive.

HAD9742A Stubby, 146-162MHz, 3"

HAE9001A Stubby, 462-470MHz, 3"

External Antennas

VHF Mag Mount Antennas

HAD8437A VHF Magnetic Mount External Antenna, Includes Antenna, Magnetic Mount and HLN8262A

HAE8438A UHF Magnetic Mount External Antenna, Includes Antenna, Magnetic Mount and HLN8262A

HLN8262A External Antenna Adapter (BNC Connector)



HAE8438A

Batteries

Nickel-Cadmium Premium

Part Number: **HNN9044AR**

Volts: 7.5

Avg. mAh: 550

Height: 2-3/16"

Intrinsically Safe: No



HNN9044AR

Service Aids

HLN3987A Interference Eliminator, PL Retrofit Kit for Open Squelch Models

HLN8425D Operating Instructions/Business Information Kit

Tuning Tool

6680371B38 Tuning Tool

Test Set Cable

RKN4034A RIB/Radio Test Set Cable

Manual

HLN8425D Business User Info Kit

Over 7 million customers have made MyRadioMall.com America's #1 choice when it comes to dependable and reliable Motorola Communications at fantastic prices.

We are now celebrating our 12th year of online service and the best is yet to come.



Advanced Radio Systems, Inc
8726 NW 26 Street #6
Miami, Florida 33172
Voice Numbers: 305-884-1795
Toll Free: 1-866-900-Mall (6255)
Fax Number: 305-884-1985

12/25/2006