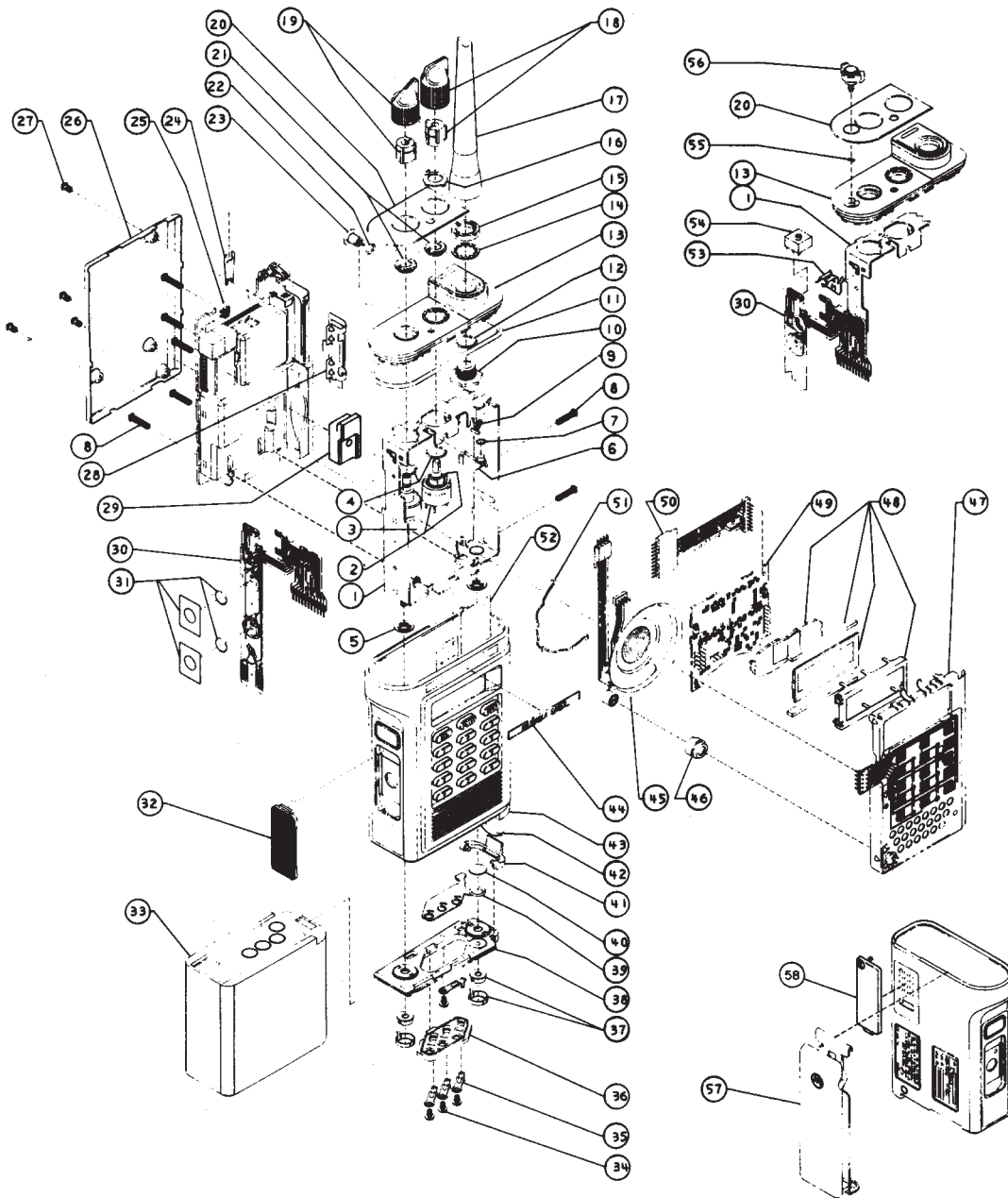


SABER Series

Parts List



SABER Series

Parts List

SABER I, II, III VHF/UHF

REF. NO.	PART NO.	DESCRIPTION
1	RPX4695A	Assembly, Frame Stud (includes item 5)
2	RPX4689A	Kit, Frequency Switch (S823) (includes item 4)
3	RPX4690A	Kit, On/Off Switch (S800)/Volume Control (R800) (includes item 4)
4	3205082E68	Gasket, "O" Ring (2 req'd) (part of items 2 and 3)
5	3205422Q01	Seal, Stud (2 req'd) (part of item 1)
6	6105436Q01	Lightpipe, LED
7	3205082E59	Gasket, "O" Ring
8	0300138542	Screw, Module, Ph Pah Hd; 2-56 x 3/8" (7 req'd)
9	0305381L02	Screw, Top Panel; 2-32 (2 req'd)
10	RPX4693A	Kit, Antenna Bushing (includes item 12)
11	3205082E80	Gasket, "O" Ring (part of item 13)
12	3205082E58	Gasket, "O" Ring (part of item 10)
13	RPX4692A	Kit, Control Top Panel (includes item 11)
14	0400139731	Lockwasher, Internal Tooth
15	0205765L02	Nut, Antenna Bushing
16	0405781Q01	Washer, Detent
17	8505816K01	Antenna, VHF Helical (136-150 MHz)
	or	
	8505816K21	Antenna, VHF Helical (150-162 MHz)
	or	
	8505816K23	Antenna, VHF Helical (162-174 MHz)
	or	
	8505816K24	Antenna, UHF Helical (403-432 MHz)
	or	
	8505816K25	Antenna, UHF Helical (440-470 MHz)
	or	
	8505816K26	Antenna, UHF Helical (460-512 MHz)
	or	
	8505247K06	Antenna, UHF Helical (403-512 MHz)
18	RPX4699A	Kit, Frequency Knob
19	REX4105A	Knob, Replacement
20	1305622Q01	Escutcheon, 12-Frequency
	or	
	1305622Q11	Escutcheon, 12-Frequency Emergency
	or	
	1305622Q04	Escutcheon, 12-Frequency Submersible
	or	
	1305622Q13	Escutcheon, 12-Frequency Emergency, Submersible
21	0205916P01	Nut, Spanner (2 req'd)
22	3205082E61	Gasket, "O" Ring (part of item 23)
23	RPX4691A	Kit, RF Connector (includes items 22, 24)
24	4205852N01	Contact, Ground, RF (part of item 23)
25	NLD8160B	Assembly, VHF Main PC Board
	NLE9450B	Assembly, UHF Main PC Board
26	NTN4647A	Assembly, Back Shield (includes item 27)
27	0305706Q01	Screw, Captive (4 req'd) (part of item 26)
28	4205577Q01	Clip, Ground
29	1405387R01	Boot, Oscillator
30	RPX4700A	Kit, PTT/Controls Flex (includes item 31)
	or	
	RPX4701A	Kit, PTT/Controls Flex Assembly (includes items 2, 3, 31)

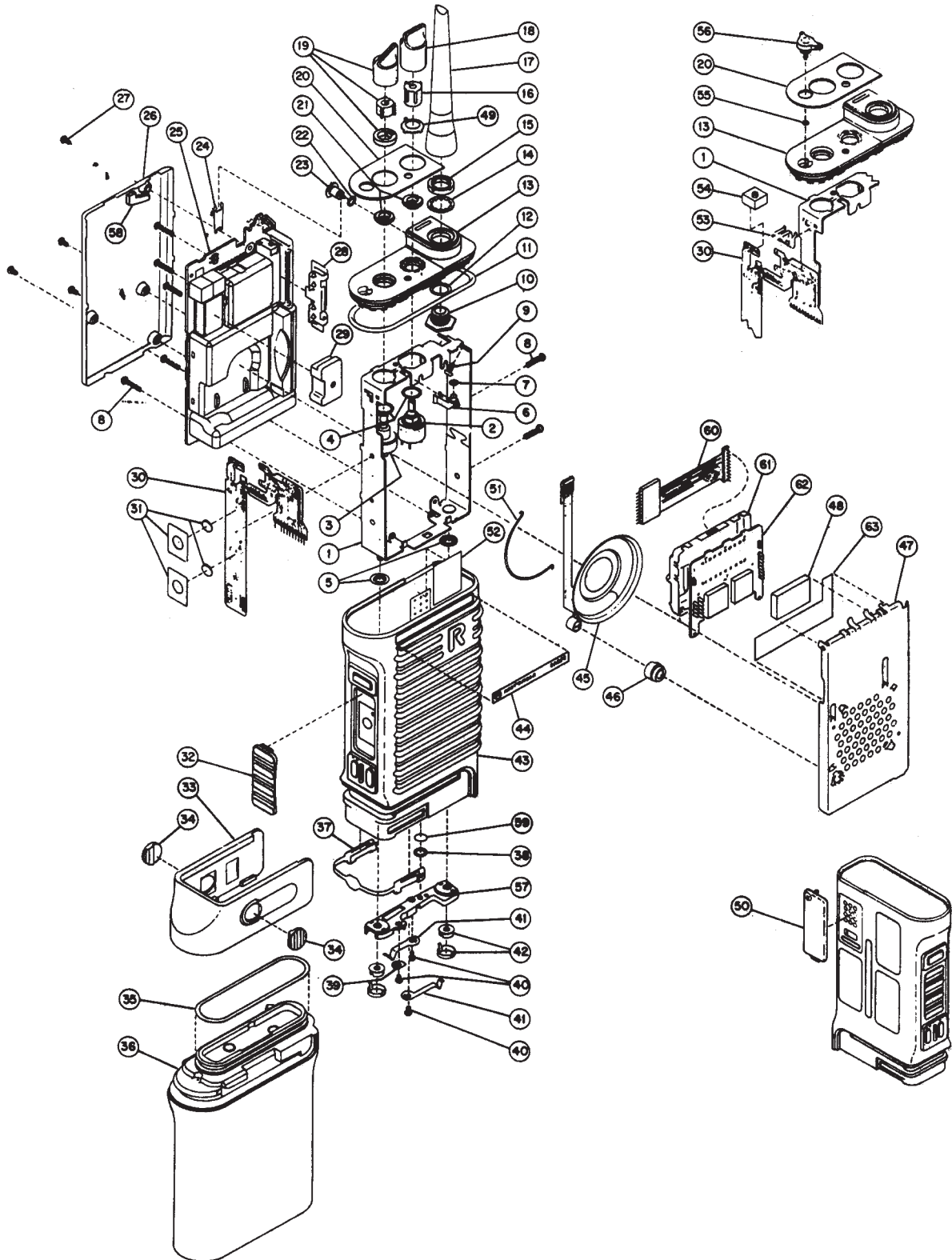
REF. NO.	PART NO.	DESCRIPTION
31	RPX4694A	Kit, Contact Snapdome (S803, 805) (2 req'd) (part of item 30)
32	4505022P02	Lever, PTT, (part of item 43)
33	NTN4593DR	Battery, 1100mAh
	or	
	NTN4538DR	Battery, FM, 1100mAh
	or	
	NTN4596DR*	Battery, FM, 1800mAh
34	0305706Q02	Screw, Baseplate Ph Pan Hd; 2-56 x 3/32" (4 req'd) (part of item 43)
35	3905453Q01	Contact, Power (4 req'd) (part of item 43)
36	4205669T01	Retainer, Baseplate (part of item 43)
37	RPX4696A	Kit, Slotted Spanner Nut (2 req'd) (part of item 43)
38	6405847N03	Baseplate, (part of item 43)
39	3205701Q01	Seal, Elastomer (part of item 43)
40	---	Seal, Vacuum Port (part of item 43)
41	5505333Q01	Latch, Battery (part of item 43)
42	4105775Q01	Spring, Latch (part of item 43)
43	NHN6395A	Assembly, Housing, SABER I (includes items 32, 34 thru 42, 44, and 45)
	NHN6422A	Assembly, Housing, SABER II
	NHN6397B	Assembly, Housing, SABER III
44	3305183R03	Label, Bottom Nameplate, SABER I (part of item 43)
	3305183R01	Label, Top Nameplate, SABER I (part of item 43)
	3305183R02	Label Name plate, SABER II and III
45	0105950T07	Assembly, Speaker/Microphone Flex SABER II (8K Display)
	0105950T06	Assembly, Speaker/Microphone Flex SABER II (2K Display)
46	1405490Q02	Boot, Microphone
47	RPX4697A	Kit, Speaker Bracket, SABER (includes item 48)
48	7505641N03	Pad, Speaker Bracket (part of item 47)
49	0105953T53	Controller PC Board
50	8405681U01	Flex Circuit, LCD Interconnect
51	4205872S01	Retainer, Speaker
52	1405182M03	Insulator, Universal Connector
53	---	Bracket, Switch (optional) – not available
54	4005221R03	Switch, Dual-Functional (S801) (optional)
55	3205082E68	Gasket, "O" Ring (optional)
56	3605392U03	Knob, Push-Only
	or	
	NTN5068A	Knob, Push and Rotate
	or	
57	NTN4741B	Assembly, Belt Clip Non-Referenced Parts, SABER II and III
	RPX4702A	Keypad with Bracket
	RPX4703A	Kit, LCD
58	NTN7061A	Universal Connector

* Intrinsicly Safe

SABER I R Series



Parts List



SABER I R Series

Parts List

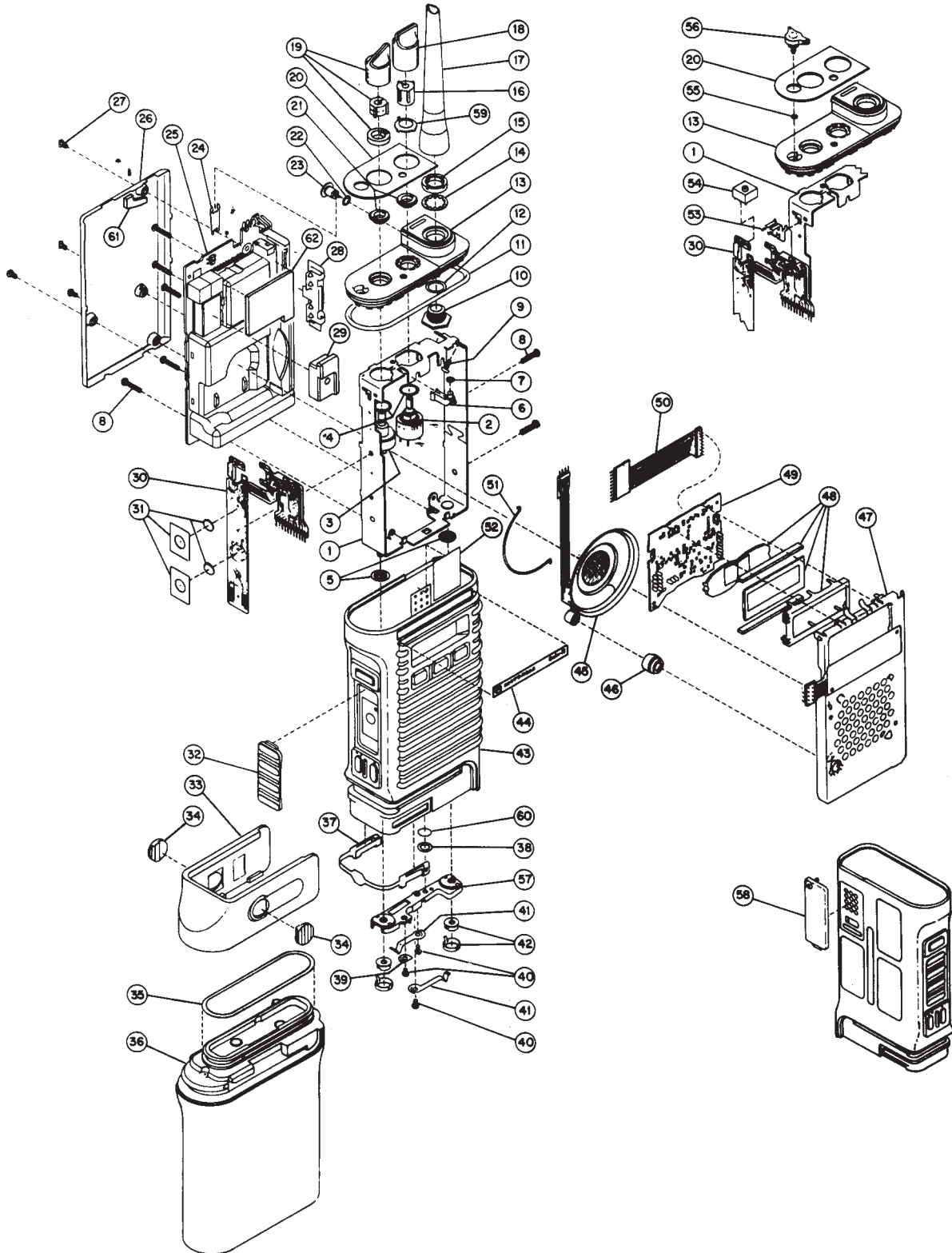
SABER I R / Systems SABER I R

REF. NO.	PART NO.	DESCRIPTION	REF. NO.	PART NO.	DESCRIPTION
1	RPX4695A	Kit, Frame Stud (includes item 5)	29	1405343S01	Boot, Oscillator (SABER I)
2	RPX4689A	Kit, Frequency Switch (S823) (includes item 4)	30	RPX4700A	Kit, PTT/Controls Flex (includes item 31)
3	RPX4690A	Kit, On/Off Switch (S800)/Volume Control (R800) (includes item 4)		or	
4	3205082E62	Gasket, "O" Ring (2 req'd) (part of items 2 and 3)		RPX4701A	Kit, PTT/Controls Flex Assembly (includes items 2, 3, 31)
5	3205422Q01	Seal, Stud (2 req'd) (part of item 1)	31	RPX4694A	Kit, Contact Snapdome (S803, 805) (2 req'd) (part of item 30)
6	6105436Q01	Lightpipe, LED	32	4505315V01	Lever, PTT (part of item 43)
7	3205082E59	Gasket, "O" Ring	33	4205292V01	Slide (part of item 43)
8	0305714J10	Screw, Module, PH Pan Hd; 7-56 x .400" (7 req'd)	34	3805294V01	Button (2 req'd) (part of item 43)
9	0300140332	Screw, Top Panel; 2-28 x .187" (2 req'd)	35	3205082E85	"O" Ring, Battery (part of item 36)
10	RPX4693A	Kit, Antenna Bushing (includes item 12)	36	NTN7058AR	Battery, Submersible, 1500 mAh (includes item 35)
11	3205082E80	Gasket, "O" Ring (part of item 13)	37	4105293V01	Spring (part of item 43)
12	3205082E58	Gasket, "O" Ring (part of item 10)	38	3205300V01	Seal, Elastomer (part of item 43)
13	RPX4692A	Kit, Control Top Panel (includes item 11)	39	3905291V02	Lockwasher (part of item 43)
14	0400139731	Lockwasher, Internal Tooth	40	0305706Q02	Screw, Baseplate PH Pan Hd; 2-56 x 3/32" (3 req'd) (part of item 43)
15	0205591R01	Nut, Antenna Bushing	41	3905291V01	Contact, Power (2 req'd) (part of item 43)
16	----	Insert, Frequency Knob (part of item 18) (SABER only)	42	RPX4696A	Kit, Slotted Spanner Nut (2 req'd) (part of item 43)
	or		43	NHN6524A	Assembly, Housing (SABER I) (includes items 32 thru 34, 37 thru 42, 57, and 59)
17	4305141R03	Insert, Frequency Knob (Systems SABER only)	44	3305183R63	Label, Nameplate (SABER I R)
	or			or	
	8505816K01	Antenna, VHF Helical (136-150.8 MHz)	45	3305183R64	Label, Nameplate (Systems SABER I)
	or		46	0105950T06	Assembly, Speaker/Microphone Flex, SABER I
	8505816K21	Antenna, VHF Helical (146-162 MHz)	47	1405490Q02	Boot, Microphone
	or		48	RPX4697A	Kit, Speaker Bracket (SABER I) (includes item 48)
	8505816K23	Antenna, VHF Helical (157-178 MHz)	49	7505641N03	Pad, Speaker Bracket (part of item 47)
	or			or	
	8505247K06	Antenna, UHF Whip (403-520 MHz)		0405781Q01	Washer, Detent (even number of switch positions)
	or		50	0405781Q01	Washer, Detent (odd number of switch positions)
	8505477T02	Antenna, MB Helical (74-88 MHz)	51	NTN7061A	Cover, Universal Connector
18	RPX4699A	Kit, Frequency Knob (includes item 16) (SABER only)	52	4205872S01	Retainer, Speaker
	or		53	1405182M03	Insulator, Universal Connector
	REX4659A	Kit, Frequency Knob, Low-Profile (includes item 16) (SABER only)	54	0705319R02	Bracket, Switch (optional)
	or		55	4005221R03	Switch, Dual-Function (S801) (optional)
	3605526Q01	Knob, Frequency (Systems SABER only)	56	---	Gasket, "O" Ring (optional) – not available
19	REX4105A	Kit, Volume Knob		NTN5076B	Kit, Push-Only Knob (includes item 55)
	or			or	
	REX4659A	Kit, Volume Knob, Low Profile		NTN5068B	Kit, Push-and-Rotate Knob (includes item 55)
20	1305622Q01	Escutcheon, 12-Frequency		or	
	or			NTN5069A	Kit, Rotate-Only Knob (includes item 55)
	1305622Q11	Escutcheon, 12-Frequency Emergency		or	
	or			4305607S01	Plug, Seal
	1305622Q04	Escutcheon, 12-Frequency, Submersible	57	6405296V01	Baseplate (part of item 43)
	or		58	7505934Q05	Pad, Backshield (part of item 26)
	1305622Q03	Escutcheon, 12-Frequency Emergency Submersible	59	3205472M03	Seal, Vacuum Port (part of item 43)
21	0205916P01	Nut, Spanner (2 req'd)	60	8405681U01	Flex Circuit, LCD Interconnect (Systems SABER I R only)
22	3205082E61	Gasket, "O" Ring (part of item 23)	61	---	Shield, LCD Board (Systems SABER I R only) – not available
23	RPX4691A	Kit, RF Connector (includes items 22, 24)	62	0105953T52	Assembly, Controller PC Board (Systems SABER I R only)
24	4205852N01	Contact, Ground, RF (part of item 23)	63	---	Insulator, Front Shield (Systems SABER I R only)
25	NLD8750A	Kit, VHF SECURENET Main PC Board (SABER only)			
	or				
	NLE4150B	Kit, UHF SECURENET Main PC Board (SABER only)			
	or				
	NLD8880B	Kit, VHF SECURENET Main PC Board (Systems SABER only)			
	or				
	NLE4200C	Kit, UHF SECURENET Main PC Board (Systems SABER only)			
26	NTN4647A	Assembly, Back Shield (includes items 27, 58)			
27	0305706Q01	Screw, Captive (4 req'd) (part of item 26)			
28	4205577Q01	Clip, Ground			

SABER II R Series



Parts List



SABER II R Series

Parts List

SABER II R

REF. NO.	PART NO.	DESCRIPTION	REF. NO.	PART NO.	DESCRIPTION
1	RPX4695A	Kit, Frame Stud (includes item 5)	31	RPX4694A	Kit, Contact Snapdome (2 req'd) (part of item 30)
2	RPX4689A	Kit, Frequency Switch (S823) (includes item 4)	32	4505315V01	Lever, PTT (part of item 43)
3	RPX4690A	Kit, On/Off Switch (S800)/Volume Control (R800) (includes item 4)	33	4205292V01	Slide (part of item 43)
4	3205082E62	Gasket, "O" Ring (2 req'd) (part of items 2 and 3)	34	3805294V01	Button (2 req'd) (part of item 43)
5	3205422Q01	Seal, Stud (2 req'd) (part of item 1)	35	3205082E85	"O" Ring, Battery (part of item 36)
6	6105436Q01	Lightpipe, LED	36	NTN7058AR	Battery, Submersible, 1500 mAh (includes item 35)
7	3205082E59	Gasket, "O" Ring	37	4105293V01	Spring (part of item 43)
8	0305714J10	Screw, Module, Ph Pan Hd; 7-56 x .400" (7 req'd)	38	3205300V01	Seal, Elastomer (part of item 43)
9	0300140332	Screw, Top Panel; 2-28 x .187" (2 req'd)	39	3905291V02	Lockwasher (part of item 43)
10	RPX4693A	Kit, Antenna Bushing (includes item 12)	40	0305706Q01	Screw, Baseplate Ph Pan Hd; 2-56 x 3/32" (3 req'd) (part of item 43)
11	3205082E80	Gasket, "O" Ring (part of item 13)	41	3905291V01	Contact, Power (2 req'd) (part of item 43)
12	3205082E58	Gasket, "O" Ring (part of item 10)	42	RPX4696A	Kit, Slotted-Spanner Nut (2 req'd) (part of item 43)
13	RPX4692A	Kit, Control Top Panel (includes item 11)	43	NHN6524A	Assembly, Housing SABER II (includes items 32 thru 34, 37 thru 42, 57, 60)
14	0400139731	Lockwasher, Internal Tooth	44	3305183R63	Label, Nameplate SABER II R
15	0205591R01	Nut, Antenna Bushing	45	----	Assembly, Speaker/Microphone Flex – not available
16	----	Insert, Frequency Knob (part of item 18)	46	1405490Q02	Boot, Microphone
17	8505816K01	Antenna, VHF Helical (136-150.8 MHz)	47	RPX4702A	Assembly, LCD/Speaker Bracket
	or		48	RPX4703A	Kit, LCD Assembly (part of item 49)
	8505816K21	Antenna, VHF Helical (146-162 MHz)	49	REX4204A	Assembly, Display PC Board (VHF and UHF radios) (includes item 48)
	or			----	Assembly, Display PC Board (MB radios) (includes item 48)
	8505816K23	Antenna, VHF Helical (157-178 MHz)	50	8405712U01	Flex Circuit, LCD Interconnect
	or		51	4205872S01	Retainer, Speaker
	8505247K06	Antenna, UHF Whip (403-520 MHz)	52	1405182M03	Insulator, Universal Connector
	or		53	0705319R02	Bracket, Switch (optional)
	8505477T02	Antenna, MB Helical (74-88 MHz)	54	4005221R03	Switch, Dual-Function (S801) (optional)
18	RPX4699A	Kit, Frequency Knob (includes item 16)	55	3205082E68	Gasket, "O" Ring (optional)
	or		56	NTN5076B	Kit, Push-Only Knob (includes item 55)
	REX4659	Kit, Frequency Knob, Low-Profile (includes item 16)		or	
19	REX4105A	Kit, Volume Knob		NTN5068A	Kit, Push-and-Rotate Knob (includes item 55)
	REX4659A	Kit, Volume Knob, Low-Profile		or	
20	1305622Q01	Escutcheon, 12-Frequency		NTN5069A	Lit, Rotate-Only Knob (includes item 55)
	or			or	
	1305622Q11	Escutcheon, 12-Frequency Emergency		4305607S01	Plug, Seal
21	0205916P01	Nut, Spanner (2 req'd)	57	6405296V01	Baseplate (part of item 43)
22	3205082E61	Gasket, "O" Ring (part of item 23)	58	NTN7061A	Cover, Universal Connector
23	RPX4691A	Kit, RF Connector (includes items 22, 24)	59	0405781Q01	Washer, Detent (even number of switch positions)
24	4205852N01	Contact, Ground, RF (part of item 23)		----	Washer, Detent (odd number of switch positions)
25	NLD8750A	Kit, VHF SECURENET Main PC Board	60	3205472M03	Seal, Vacuum Port (part of item 43)
	or		61	7505934Q05	Pad, Backshield (part of item 26)
	NLE4150B	Kit, UHF SECURENET Main PC Board	62	----	Pad, DVP
26	NTN4647A	Assembly, Back Shield (includes item 27)			
27	0305706Q01	Screw, Captive (4 req'd) (part of item 26)			
28	4205577Q01	Clip, Ground			
29	REX4121A	Boot, Reference Oscillator, SABER II			
30	RPX4700A	Kit, PTT/Controls Flex (includes item 31)			
	or				
	RPX4701A	Kit, PTT/Controls Flex Assembly (includes items 2, 3, 31)			

SABER Series



Portable Accessories

Chargers

Single Unit Rapid Universal Tri-Chemistry Chargers

Tri-chemistry chargers support Nickel Cadmium, Nickel Metal Hydride, and Lithium-ion batteries.

NTN1667A 110V Universal Charger

NTN1668A 220V Universal Charger

NTN1669A 240V Universal Charger



NTN1667A

impres™ Smart Energy System



WPLN4111AR

The impres smart energy system ensures maximum talk-time and optimized battery cycle life through the use of its advanced charging algorithm and automatic reconditioning features. The smart energy system reconditions impres batteries when they need it automatically, keeping them in peak condition. It's advanced conditioning features allow batteries to be safely left on the charger for extended periods of

time without incurring the damaging heat build-up which can rob batteries of cycle life. In addition, batteries left on the charger are kept fully charged so they are always ready when you need them. The impres system reconditions batteries when they need it based on their usage pattern. Talk time and cycle life are optimized and the need for manual maintenance programs reduced or eliminated. This rapid-rate tri-chemistry charging system will also charge existing legacy batteries and supports multiple radio platforms including Saber, XTS, and HT1000 series portables.

WPLN4111AR impres Smart Energy System Single Unit Charger

WPLN4108BR impres Smart Energy System Multi-Unit Charger

WPLN4109BR impres Multi-Unit charger 220V/240V

5889254E01 Battery Adapter (required for batteries NTN4537, NTN4592, NTN7014 and NTN8818)

Chargers

impres™ Multi-Unit Charger with Display Modules

The impres Multi-Unit Charger with Charger Display Modules has a two-line LCD screen for each of its six charger pockets that provides users with a host of valuable battery information. When a calibrated impres battery is inserted into a pocket, it provides the current battery mAh and percent of rated capacity which allows the user to immediately know the status of the battery without having to charge and discharge the battery. Additionally, the unit displays the remaining charge time (NiCd and NiMH only) which lets the user know when the impres battery will be ready for use. Additional information displayed includes: battery serial and part number information, battery chemistry, voltage and charge status and the version of the charger and display modules.

WPLN4130AR impres Multi-Unit Charger with Display Modules

RLN5382A Charger Display Module for impres multi-unit charger version 1.3 or later

RLN5591A Charger Display Module for impres multi-unit charger version 1.2 or earlier



WPLN4130AR

impres™ Bundle Packs

Provide significant savings on the impres products by bundling a charger and batteries together as a smart energy system package.

RLN5261A impres Charger with two HNN9033AR batteries

RLN5444B impres Multi-Unit Charger with six HNN9033AR batteries

RLN5264A impres Charger with two HNN9034AR batteries

RLN5442B impres Multi-Unit Charger with six HNN9034AR batteries

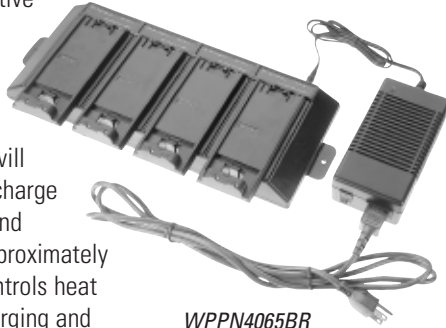
SABER Series

Portable Accessories

Chargers

Motorola Conditioning Charger (MCC)

The MCC utilize negative pulse charging technology that will help extend battery life and enhance battery operation. It will safely condition and charge your specified NiCd and NiMH batteries in approximately an hour. The MCC controls heat buildup due to its charging and termination algorithms and maintenance mode allows batteries to be safely left on the charger for extended periods of time. And now there is an Instant Fault Detection (IFD) feature which detects faulty radio batteries in seconds, which notifies the user that the battery will not operate at peak performance. Optional accessories are available allowing these chargers to be used in both AC and DC environments providing optimal charging flexibility.



WPPN4065BR
shown with four
WPLN4001BR
adapters

WPPN4002BR Base Charge Unit Only, 110V AC
(order adapter plates separately)

WPPN4006AR Base Charge Unit Only, 220V AC
(order adapter plates separately)

WPPN4001BR Adapter Only, 7V

WPLN4096AR Base 110V AC (includes base unit and 7V adapter)

WPPN4065BR Multi-Unit Charger, four-station base, 110V
(order adapter plates separately)

3080384G15 Cigarette Lighter Adapter Cord

3080384M21 DC Hard Wire Cable, for vehicular installation
(included in RLN4814A)

RLN4814A Mounting Bracket for Motorola single unit
Conditioning Charger

Chargers

Porta-Pocket Charger



NTN5563B

The Porta-Pocket Charger provides a regular rate 16-hour charge to nickel cadmium (NiCd) batteries.

NTN5563B Porta-Pocket Charger, 110V AC, regular rate, includes AC power supply/cable

NKN6289A 12V DC Ignition Wiring Cable, includes dash mount bracket

NKN6290B 12V Cigarette Lighter Receptacle Cable, includes dash mount bracket

SABER Series

Portable Accessories

Battery Maintenance System^{plus} (BMS^{plus})

Increase the useful life of our batteries. Using interchangeable battery adapters (sold separately), the BMS^{plus} is capable of charging and discharging, analyzing, conditioning and cycle testing NiCd, NiMH, Li-ion batteries; tracking battery voltage and capacity (mAh). The BMS^{plus} offers a 3-year warranty. Its easy-to-use design supports hundreds of 2-way, cellular, and camcorder batteries. Includes printer port* (Serial-RS-232C port-uses female 9-pin to male 25-pin cable).



WPLN4079BR

WPLN4079BR Six-Station, 110V AC, 50/60 Hz

WPLN4080BR Six-Station, 230V AC, 50/60 Hz

WPPN4085AR BMS^{plus} field Upgrade Kit or WPLN4079AR, WPLN4080AR, and WPLN4081AR; allows these units to support Li-ion battery chemistries

NDN4005B Three-Station, 110V AC 50/60 Hz (does not support Li-ion or 3-cell batteries)

NDN4006B Three-Station, 230V AC 50/60 Hz (does not support Li-ion or 3-cell batteries)

BMS^{plus} Adapters

TDN9450A NiCd Adapter, 7.5V, for use with NTN4537CR, NTN4538DR, NTN4592CR, NTN4593DR, NTN4595DR, NTN4596DR and NTN4992CR

TDN9434A NiCd Adapter, 7.5V for use with NTN7058AR SABER R

WPPN4087AR NiCd and NiMH Adapter, 7.5 V compatible with same batteries as TDN9450A adapter plus NTN8251AR

WPPN4091AR Li-ion Only Adapter

Battery Optimizing System II (BOS II)



WPLN4124AR

No other battery analyzer matches the speed, accuracy, and versatility of the Battery Optimizing System II. Ideal for large fleet, public safety, and all other users who rely on their battery performance. Now with increased power, more sophisticated programming options, and easier to use navigation paths, optimizing your batteries was never easier. Key features include:

- Support for NiCd, NiMH, Li-ion, and SLA batteries
- 100 watt power supply and programmable from 100 mAh to 4 amps per station
- Interchangeable adapters accommodate all major brands
- Includes a variety of user programs and allows for customizable programming
- Proprietary recondition cycle restores NiCd and NiMH batteries
- Increased processing power and testing resolution – including a three minute Quicktest that measures the batteries State of Health (SoH)
- Printer output for reports and labels
- Three year warranty

WPLN4124AR BOS II, Four-Station, 100-240V AC (US line cord)

WPLN4125AR BOS II, Four-Station, 100-240V AC (UK/Euro line cords)

BOS II Adapters

RL-72703 Ruggedized Adapter, SABER-R

RL-71203 Standard Battery Adapter, SABER

*Compatible with the STAR Micronics SP200 series printers, available from any STAR Micronics distributor, and other printers with STAR emulation.

SABER Series

Portable Accessories

Carrying Cases

A variety of carrying accessories are available for your comfort and convenience. The carrying cases are available in sizes designed to fit your radio and battery and permit audio to be heard clearly.

Light Capacity Batteries



NTN5579A

NTN5579A Leather Swivel Snap Carry Case (order T-strap and swivel belt loop separately)

Medium Capacity Batteries

NTN5577A Leather Standard Snap Carry Case Belt Loop (order T-strap separately)

NTN5580A Leather Swivel Snap Carry Case (order T-strap and swivel belt loop separately)



NTN5577A

Ultra High Capacity Batteries

NTN5578A Leather Standard Snap Carry Case with Belt Loop (order T-strap separately)

NTN5644A Leather Swivel Snap Carry Case (order T-strap and swivel belt loop separately)

Nylon Carry Cases

NTN7062A Nylon Standard Carry Case with Belt Loop (includes T-strap) for Saber-R only

NTN7216A Nylon Swivel Carry Case (Includes T-strap swivel belt loop) for Saber-R only

Carrying Accessories

T-Straps

NTN5575A Leather Snap T-Strap for system Saber only

NTN5574A Leather Snap T-Strap for all other Saber models

RLN5373A Leather Snap T-Strap for carrying case NTN5579 (for use with Li-ion Battery)



NTN5574A

Belt Loops

4282421J06 2.5" Leather Swivel Belt Loop

4205857B01 3" Leather Swivel Belt Loop

PLN7648A Removable "D" Button. Used in conjunction with swivel belt loop.



4205857B01

Belt Clips

NTN4741B Removable Belt Clip Attachment

NTN4788B Removable Belt Clip Attachment, (SECURENET RADIOS)



Belt

4200865599 1.75" wide leather belt for all models

Carrying Strap

NTN5243A Adjustable Black Carrying Strap attaches to "D" ring on case



NTN5243A

NTN4741B

Chest Pack

HLN6602A Universal Chest Pack with Radio Holder, Pen Holder, and Velcro Secured Pocket

1505596Z02 Replacement Strap for HLN6602



HLN6602A

SABER Series

Portable Accessories

Carrying Accessories

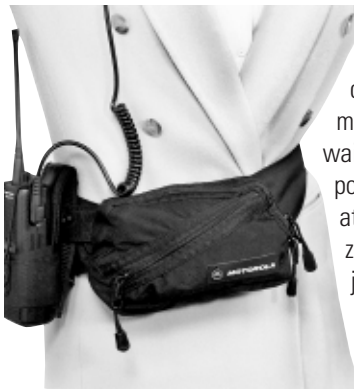
Break-a-Way Chest Pack

All of the same features as the original chest pack (HLN6602A) plus break-a-way tabs that allow the entire pack to be pulled off with approximately 10 lbs of pressure. Perfect for railroads, manufacturing locations, construction sites and anywhere that safety is a concern.

RLN4570A Break-A-Way Chest Pack



RadioPAK™



RLN4815A

It's different from all other holders or cases: more comfortable, more useful, and more stylish. Worn around the waist, it holds two-way, iDEN portables or cellular phones right at hand. Includes a separate 6"x 8" zippered pouch for other on-the-job necessities. Adjustable nylon weave belt; fits both men and women.

RLN4815A RadioPAK™ Radio/Utility Case

4280384F89 Universal RadioPAK™ Belt Lengthener; fits waists larger than 40"

Audio Accessories

Remote Speaker Microphone (RSM)

Allows you to talk and listen without removing the radio from the belt, case or charger. Ideal for high noise level environments. This water resistant compact unit has a coiled cord, PTT switch and back cover clip.

***NMN6128C** Remote Speaker/Microphone

***NMN6166C** Remote Speaker Microphone with 2.5 mm Earphone Jack



NMN6128C

NMN6225B Remote Speaker/Microphone with Coil Cord and Telco Plug

5005178K01 Earpiece with Cable for use with NMN6166C

UHF Public Safety Microphone (PSM)

This water-resistant microphone includes a high-low audio switch and straight cord. The external antenna provides additional antenna height for better radiation pattern.

***NMN6129B** UHF Public Safety Microphone (antenna and Velcro patch must be ordered separately)

NMN6154B UHF Public Safety Microphone with 2.5 mm Earphone Jack (antenna, earphone, and Velcro patch must be ordered separately)

5005178K01 Earpiece with Cable for use with NMN6154B



NMN6225B



NMN6129B

**Intrinsically Safe*

SABER Series

Portable Accessories

Audio Accessories

RSM and PSM Accessories

Microphone Accessories

Antennas for PSM

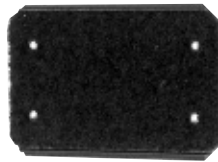
8505309N09 400-440 MHz

8505309N10 440-470 MHz

8505309N11 470-512 MHz

Velcro Patch

NLN8410A Velcro Patch
Pin Attachment for
speaker/microphone assemblies



NLN8410A

Epaulet Strap

Black leather epaulet straps
secure remote speaker microphones to epaulet of shirts or jackets
and attach around cord to back of microphone.

RLN4294A Epaulet Strap, Velcro

RLN4295A Epaulet Strap, small clip

Miscellaneous Accessories

Connector Cover

NTN7061A Universal Connector Cover



NTN7061A

MicJackets

MicJackets provide speaker microphone users with a way to further
protect the "head" of their microphone from dust, dirt, metal
particles, sweat, body oils and other on-the-job grime; MicJackets
also allow the user to handle or interact with the speaker
microphone in a more hygienic way.

RLN4908A MicJacket, compatible with NMN6128

RLN5001A MicJacket,
compatible with NMN6166

RLN5002A MicJacket,
compatible with NMN6225

RLN4911A MicJacket,
compatible with NMN6154

RLN5004A MicJacket,
compatible with NMN6129



RLN5002A

Audio Accessories

Surveillance Kits

Surveillance accessories allow the user to privately receive
communications with the earpiece and are ideal when environments
require discreet communications.

The following Surveillance Kits require NTN5664D adapter:

NSN6050A Receive-only Surveillance Kit (1-Wire kit)

***ZMN6032A** Surveillance Kit with Microphone and PTT Combined
(2-Wire Kit)



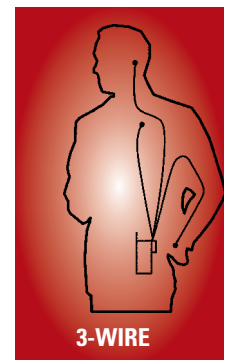
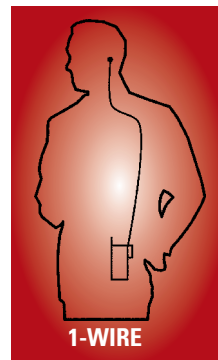
ZMN6031A

***ZMN6031A** Surveillance Kit with Microphone and PTT Separate
(3-Wire Kit)

***†ZMN6038A** Surveillance Kit with Microphone and PTT Combined,
Extra Loud Earpiece (exceeds OSHA limits) (2-Wire Kit)

***†ZMN6039A** Surveillance Kit with Microphone and PTT Separate,
Extra Loud Earpiece (exceeds OSHA limits) (3-Wire Kit)

NTN5664D Surveillance Accessory Adapter (with keyload capability)



* Intrinsicly Safe

† Extra Loud Earphone (exceeds OSHA limits)

SABER Series

Portable Accessories

Audio Accessories

Noise Kits

Lightweight translucent tube attaches to Motorola surveillance accessories. Clothing clip prevents the accessory from being pulled from the ear due to body movement or head rotation.

NTN8370A Extreme Noise Kit, includes 2 foam earplugs for loud environments, provides 24dB of noise reduction

NTN8371A Low Noise Kit, includes rubber eartip for low noise environments, does not provide hearing reduction

5080384F72 Replacement Foam Plugs; pack of 50 (for use with NTN8370A)

5080371E73 Beige Replacement Standard Rubber Eartips; for use with NTN8371A, (pack of 25)

5080371E75 Black Replacement Standard Rubber Eartips; for use with NTN8371A, (pack of 25)

Clear Comfortable Earpiece

The clear comfortable earpiece forms to the inside of your ear and is perfect for low noise environments. Compatible with the NTN8371A, clear acoustic tube assembly, and most surveillance kits

(1-, 2- and 3-wire). This earpiece is made of easy-to-clean chemically inert, hypoallergenic material. Does not provide hearing protection.

There are 3 items needed to make this product work:

1. Clear Comfortable Earpiece
2. Clear Acoustic Tube Assembly (NTN8371A)
3. Surveillance Kits

RLN4760A Small Custom Earpiece, right ear

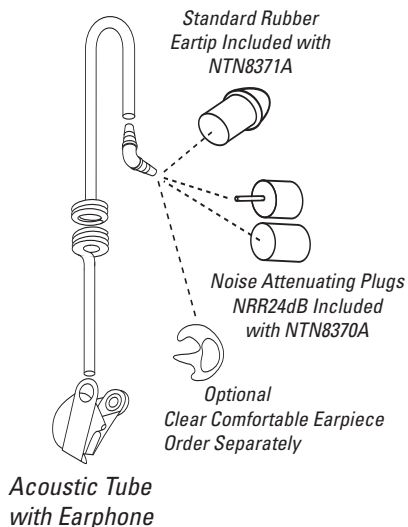
RLN4763A Small Custom Earpiece, left ear

RLN4761A Medium Custom Earpiece, right ear

RLN4764A Medium Custom Earpiece, left ear

RLN4762A Large Custom Earpiece, right ear

RLN4765A Large Custom Earpiece, left ear



Audio Accessories

Completely Discreet Earpiece

Remain discreetly in touch with this miniaturized receiver. All messages received through the user's two-way radio are inductively relayed to the wireless earpiece in the user's ear. Inductive neckloop is easily hidden under the user's clothing for covert operations. Neckloop attaches to the user's Motorola Surveillance Kit providing completely discreet two-way communications. Security operatives, public safety officials, and private investigators can communicate with ease without any visible equipment. Small as it is, it offers a full range of audio functions including automatic squelch, automatic gain control and noise filtering. Must be used in conjunction with a Motorola Surveillance Kit. Just remove the earpiece on any standard 2- or 3-wire surveillance kit and plug in the neckloop for completely discreet communication.

RLN4922A Completely Discreet Earpiece Kit; includes wireless earpiece, inductive neckloop, 6 spare batteries and 5 spare ear wax guards

RLN4919A Ear wax guards, pack of 5

RNN4005A 1.4V Battery, pack of 6



SABER Series

Portable Accessories

Audio Accessories

Ear Microphone System (EMS)

This compact unit picks up the voice through bone vibrations in the ear canal. The miniature earpiece leaves the hands free and face unobscured when worn by rescue and hazard protection personnel, who still retain the ability for direct hearing and speaking. For personnel required to wear breathing apparatus, communications with protective masks are as clear as communications without. And its high speech clarity under noisy environments makes it ideal for high noise environments. Available in PTT or Voice Activated (VOX). Interface Module needs to be ordered separately for EMS to work



BDN6677A
Requires interface module, sold separately

***BDN6677A** Ear Microphone for standard noise levels (up to 95 db), black

***BDN6678A** Ear Microphone for standard noise levels (up to 95 db), beige

***BDN6641A** Ear Microphone for high noise levels (up to 105 db), grey

Interface Modules For EMS

***BDN6642B** Push-To-Talk Only Interface Module

***BDN6643B** Push-To-Talk and Voice-Activated Interface Module



BDN6643B

Audio Accessories

Optional Accessories for EMS



0180300E83

0180300E25 Earguard with Adjustable Loop

***0180358B38** Remote Push-To-Talk Ring Switch

***0180300E83** Remote Push-To-Talk Body Switch

0180358B32 Earholder, black, size small; secures ear mic in ear

0180358B33 Earholder, black, size medium; secures ear mic in ear

0180358B34 Earholder, black, size large; secures ear mic in ear

0180358B35 Earholder, clear, size small; secures ear mic in ear

0180358B36 Earholder, clear, size medium; secures ear mic in ear

0180358B37 Earholder, clear, size large; secures ear mic in ear

4280369E44 Replaceable Belt Clip with Screws

5080358B28 Eartips, black, size medium (10 per pack)

5080358B29 Eartips, black, size large (10 per pack)

5080358B30 Eartips, beige, size medium (10 per pack)

5080358B31 Eartips, beige, size large (10 per pack)



0180358B33

Flexible Ear Receiver

Plugs directly into the NTN5212B adapter or the earjack on the speaker/mics. Earpiece utilizes a foam ear cushion and flexible earloop that rests over the ear.

BDN6717B Ear Receiver with 2.5 mm Plug

NTN5212B Earjack Accessory Adapter; allows use of any audio accessory with a 2.5 mm connection



BDN6717B

* *Intrinsically Safe*

SABER Series

Portable Accessories

Audio Accessories



NTN1623A

CommPort: Integrated Microphone/Receiver System

The CommPort system contains a miniature microphone and receiver, and connects to your two-way radio, making it possible to hear and speak under the most adverse conditions.

***NTN1623A** Integrated Ear Microphone/Receiver System w/Palm PTT (includes NTN5664D adapter)

***NTN1721A** Integrated Ear Microphone/Receiver System w/Ring PTT (includes NTN5664D adapter)

***NTN1738A** Intergrated Ear Microphone/Receiver System with Snap-on Side PTT (includes NTN5664D adapter)

***NNTN4185A** Integrated Ear Microphone/Receiver System with Remote Push-To-Talk Body Switch (includes NTN5664D adapter)

Audio Accessories

NKN6524A Replacement Ring PTT Cable for NTN1721A

NKN6507A Replacement Palm PTT Cable for NTN1623A

NKN6526A Replacement Snap on side PTT Cable for NTN1738A

NNTN4189A Replacement Remote Push-to-Talk Body Switch Cable for NNTN4185A

NTN8821A CommPort Maintenance Kit, includes replacement ear tubes (quantity 10), windscreens (quantity 2) and microphone seal strips (quantity 10)

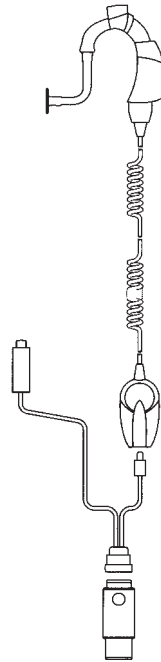
NTN8986A Adhesive Pads (quantity 90) for secure attachment to ear

NTN8988A Ear Straps (quantity 10), for secure attachment to ear

RLN5037A Replacement Ear Tubes (pack of 10)

4285838B01 Replacement Collar Clip

4202006A01 Replacement Back Cover Clip



NTN1623A

* Intrinsicly safe

SABER Series

Portable Accessories

Audio Accessories

Lightweight Headsets

Lightweight headsets allow for high clarity, hands-free, discreet two-way communications while adding comfort necessary for extended wear in moderate noise environments.

***NMN6050B** Lightweight Headset with Boom Microphone, to be worn on a helmet or safety glasses; requires NTN5913A adapter cable

***NTN5913A** Headset Adapter Cable with Bayonet Jack



NMN6050B

Heavy Duty Headsets

Heavy duty headsets include noise canceling boom microphones and can be worn with or without a hardhat. Headsets are for use in noise levels up to 125db. The push-to-talk switch is located on the earcup. The Voice Activated (VOX) module is contained within the headset on voice activated models. Heavy duty headsets require radio adapter cable to be ordered separately.



BDN6645A
(Shown with adapter cable BDN6640A)

BDN6645A Push-to-Talk Headset with Boom Microphone, requires adapter cable BDN6640A; noise reduction rating = 24db

BDN6635B Voice Activated (VOX) Headset with Boom Microphone, requires adapter cable BDN6640A; noise reduction rating = 24db.

***BDN6636B** Voice Activated (VOX) Headset with Throat Microphone, requires adapter cable BDN6640A; noise reduction rating = 24db.

***BDN6640A** Radio Adapter Cable

Audio Accessories

Vehicular Adapter

The SVA console kits, allow use of the portable radio in a mobile application. Order antenna separately.

NNSN6054A 12-Watt External Speaker

HMN1056D Microphone, compact palm

HMN1035C Microphone, heavy-duty palm

NMN6150A Microphone, full-featured display (all other Saber Models except Startsite Saber SST/ATS)

NMN6169A Microphone, full-featured systems Saber display (compatible only with system Saber)

NTN7227E SVA charging console includes power cables and hardware



NNSN6054A

SABER Series

Antennas,
Batteries

Heliflex Antennas

Motorola Heliflex antennas are specifically engineered for maximum output and greatest communication coverage.

UHF Band

8505816K24 403-430 MHz Heliflex, 3"

8505816K25 440-470 MHz Heliflex, 3"

8505816K26 470-512 MHz Heliflex, 3"

High Band

8505816K22 136-150.8 MHz Heliflex, 6.5"

8505816K21 150.8-162 MHz Heliflex, 6"

8505816K23 162-174 MHz Heliflex, 6"

8505816K01 136-150.8 MHz Heliflex, 6.5"



Portable Batteries

Nickel-Cadmium Premium

Part Number: **NTN4593DR**

Volts: 7.5

Avg. mAh: 1100

Height: 3-1/4"

Intrinsically Safe: No

Part Number: **NTN4595DR**

Volts: 7.5

Avg. mAh: 1800

Height: 4"

Intrinsically Safe: No

Part Number: **NTN4657AR**

Volts: 7.5

Avg. mAh: 1100

Height: 4"

Intrinsically Safe: No

CSA: Yes

Part Number: **NTN4538DR**

(Submersible)

Volts: 7.5

Avg. mAh: 1100

Height: 3-1/4"

Intrinsically Safe: Yes

Part Number: **NTN4596DR**

(Submersible)

Volts: 7.5

Avg. mAh: 1800

Height: 4"

Intrinsically Safe: Yes



NTN4596DR

SABER Series

Batteries

Portable Batteries

Part Number: **NTN4992CR**
 (Submersible)
 Volts: 7.5
 Avg. mAh: 1800
 Height: 4"
 Intrinsically Safe: Yes

Part Number: **NTN7058AR**
 (Submersible/
 Ruggedized)
 Volts: 7.5
 Avg. mAh: 1800
 Height: 4"
 Intrinsically Safe: Yes



NTN7058AR

Nickel Metal Hydride Premium

Part Number: **NTN7014BR**
 Volts: 7.5
 Avg. mAh: 950
 Height: 3-1/4"
 Intrinsically Safe: No

Part Number: **NTN8251AR**
 Volts: 7.5
 Avg. mAh: 1650
 Height: 3-1/4"
 Intrinsically Safe: Yes

Portable Batteries

Lithium-ion Premium

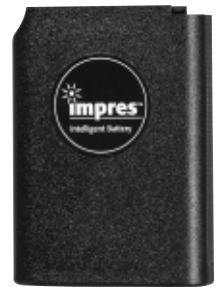
Part Number: **NTN8818A**
 Volts: 7.2
 Avg. mAh: 1700
 Height: 2-3/8"
 Intrinsically Safe: No

Nickel-Cadmium impres™

To maximize impres battery features and benefits, an impres charger must be used.

Part Number: **HNN9033AR**
 Volts: 7.5
 Avg. mAh: 1800
 Height: 4"
 Intrinsically Safe: No

Part Number: **HNN9034AR**
 Volts: 7.5
 Avg. mAh: 1800
 Height: 4"
 Intrinsically Safe: Yes



HNN9033AR

SABER Series

Service Tools, Aids

Service Tools



RSX4043A



6680370B89

RSX4043A Torque Screwdriver,
Order Bits Separately

6680370B89 Spanner Wrench,
Removes Spanner Nuts at the
Bottom of the Radio

6680371B34 Spanner Tool,
Removes Antenna Nut

6680370B88 Spanner Tool,
Removes Nuts for Volume Control
and Channel Selector Switch

6680321B78 Phillips Power Bit #0,
Removes Radio Screws

***6680371B02** Button Screwdriver Bit,
Removes Button Screw



6680321B78

Service Aids



REN4001C

Housing Eliminator

Replace radio housing while servicing
unit. Electrical test points can be
accessed on back of RF board.

REN4001C Housing Eliminator

Battery Eliminator

The Battery eliminator acts like a battery with a
cable to access a DC external power supply. It is
ideal to inspect transmitters and receivers on
incoming radios. Reverse power supply polarity
protection and input fuse protection are
provided.

RTL4224A Battery Eliminator



RTL4224A

Service Aids

Field Modification Kit

Allows for quick field
modification of RTX4005 "A"
test sets to provide operation
with the radio.

RPX4665A Field Modification
Kit, RTX4005A



RPX4665A

Radio Interface Box

Links radio programming cable and
computer interface. Provides
required voltage shift to enable
communications between radio and
computer. Requires computer
interface cable and programming
cable, and a 9 volt snap type battery
(6082728J01), order separately.

RLN4008E Radio Interface Box



RLN4008E

Computer Interface Cable

Used to connect computers
serial adapter to radio
interface box.

3080369B71 Cable, RIB to
25 pin D

3080369B72 Cable, RIB to
9 pin D



3080369B71

Wall Mounted Power Supply

Used to supply power to radio interface box, RLN4008E.

0180357A57 Wall Mounted Power Supply, 110 Volts

0180358A56 Wall Mounted Power Supply, 220 Volts

* for Public Safety Remote Speaker Microphone Accessory (NMN6129A) only.

SABER Series

Service Aids, Manuals

Service Aids

Radio Test and Programming Cable



RTK4203A

Used with Portable Radio Test Set, RTX4005, for transmitter, receiver alignment and performance checks. Also used in programming radio.

RTK4203C Test and Programming Cable

RF Adapter Cable

Must be used in conjunction with REN4001A housing eliminator. Radio housing must be removed.

0180358A63 RF Adapter Cable
Terminated with BNC Male, Other End Mates with Radio Side Connector



0180358A63

Battery Load Tester

Tests battery under simulated load conditions. Has self contained voltmeter that shows battery voltage.

RTL4237A Battery Load Tester



RTL4237A

Service Aids

Test Cable

Used with Securenet equipped R2000 Series System Analyzers to test Saber radios with Securenet options. This cable is used with RTL4200A junction box and is part of RPX1013A Accessory Kit.

0180358A60 Test Cable

Programming Software

Utilizing your personal computer, this software enables you to add or reprogram frequencies as your requirements change. Compatible with IBM XT, AT, Model 30 50, 60 and 80. Requires Radio Interface Box and proper cables; order separately.

RVN4002K Programming Software, 3-1/2" Diskette (includes manual and storage box)

Manuals

- 6881065C60** Saber I Instructions Manual
- 6881065C65** Saber II, III Instruction Manual
- 6881043C90** SecureNet High Band Service Manual
- 6881045C75** SecureNet UHF Band Service Manual
- 6881067C10** Systems Saber and Saber ATS Service Manual
- 6881066C95** System Saber, UHF Service Manual
- 0180305J46** Ear Microphone System and Temple Transducer CD-ROM
- 0180305J70** impres™ System CD-ROM

Over 7 million customers have made MyRadioMall.com America's #1 choice when it comes to dependable and reliable Motorola Communications at fantastic prices.

We are now celebrating our 12th year of online service and the best is yet to come.



Advanced Radio Systems, Inc
8726 NW 26 Street #6
Miami, Florida 33172
Voice Numbers: 305-884-1795
Toll Free: 1-866-900-Mall (6255)
Fax Number: 305-884-1985

12/25/2006