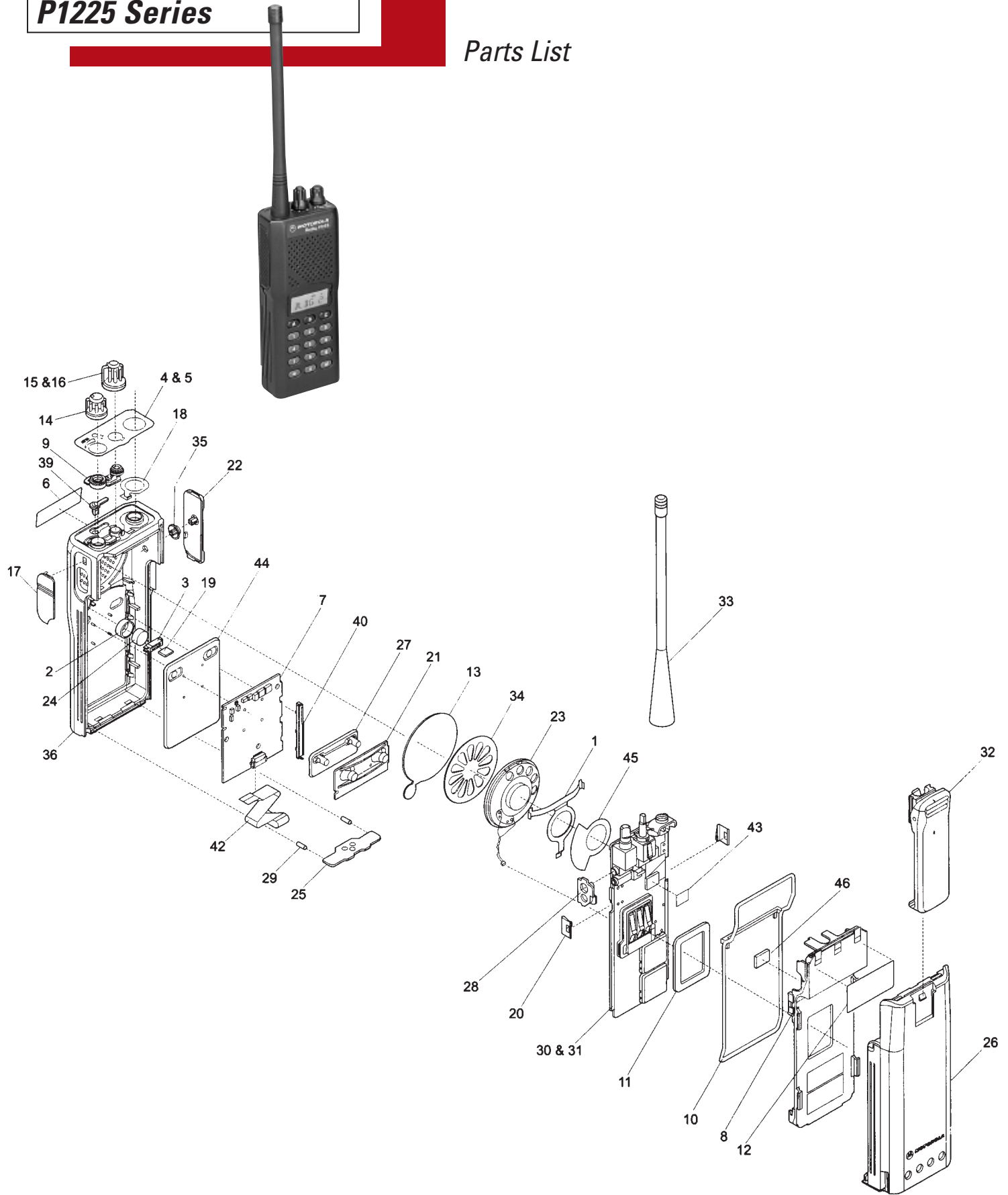


P1225 Series

Parts List



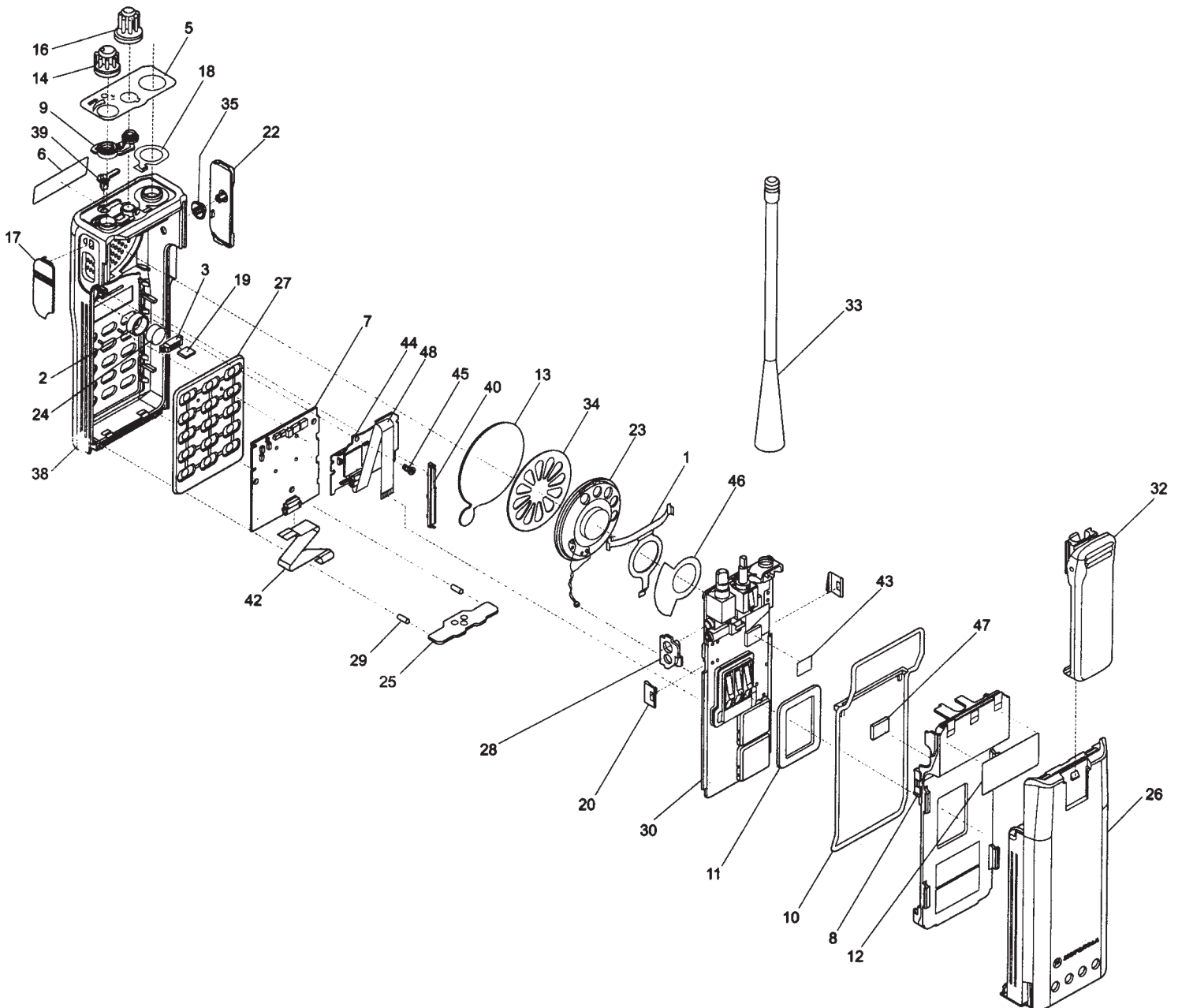
P1225 Series

Parts List

REF. NO.	PART NO.	DESCRIPTION	REF. NO.	PART NO.	DESCRIPTION
1	0705470V01	Retainer, speaker	22	4580683E01	Lever, PTT
2	0780665E01	Boot, microphone	23	5080468U02	Speaker
3	0780693E01	Connector, support, microphone	24	5080455U01	Microphone
4	1380668E03	Escutcheon, 2-channel	25	5580462U01	Latch, battery
5	1380668E04	Escutcheon, 16-channel	26	---	Battery Pack, NiCad
6	1380670E01	Escutcheon, nameplate	27	7580686E01	Keypad
7	---	Option Board Kit – not available	28	0780552U02	Plate, jack support
8	2780675E03	Chassis	29	4105944K01	Spring, battery latch; 2 used
9	3280466U01	Seal, control top	30	---	Board, UHF – not available
10	3280677E01	Seal, "O" ring	31	---	Board, VHF – not available
11	3280678E01	Gasket, battery interface	33	---	Antenna, standard – not available
12	---	Label, FCC – not available	34	3502018X01	Disk, speaker
13	3580413U01	Felt, speaker	35	3880469U01	Button, PTT
14	3680461U01	Knob, volume	36	1580671E05	Housing, basic
15	3680584B01	Knob, freq., 2-channel	39	6180464U01	Light Pipe
16	3680584B05	Knob, freq., 16-channel	40	4280664U01	Support, DTMF
17	3880679E01	Dust Cap	42	3080512U05	Cable, flex
18	3980458U01	Contact, rf ground	43	1480616U02	Pad, thermal, heatsink
19	3980682E02	Contact, microphone	44	7580539U01	Keypad (for option board)
20	4280456U01	Clip, chassis; 2 required	45	7580506C02	Pad, speaker
21	4280490U01	Retainer, keypad	46	7580581V01	Pad, xtal

P1225•LS Series

Parts List



P1225•LS Series

Parts List

REF. NO.	PART NO.	DESCRIPTION	REF. NO.	PART NO.	DESCRIPTION
1	0705470V01	Retainer, speaker	26	HNN9049A	Battery Pack, NiCad
2	0780665E01	Boot, microphone	27	7580498V01	Keypad
3	0780693E01	Connector, support, microphone	28	0780485V01	Plate, jack support
5	1380668E05	Escutcheon, control top	29	4105944K01	Spring, battery latch; 2 required
6	1380670E02	Escutcheon, nameplate	30	---	Board, UHF – not available
7	HLN3065B	Board, DTMF board	33	---	Antenna, standard – not available
8	2780675E03	Chassis	34	3502018X01	DISK, speaker
9	3280466U01	Seal, control top	35	3880469U01	Button, PTT
10	3280677E01	Seal, O-ring	38	0180420V03	Housing/Lens Assy.
11	3280678E01	Gasket, battery interface	39	6180464U01	Light Pipe
12	---	Label, FCC	40	4280664U01	Support, DTMF
13	3580413U01	Felt, speaker	42	3080512U02	Cable, flex
14	3680461U01	Knob, volume	43	1480616U02	Pad, thermal, heatsink
16	3680528V01	Knob, freq.	44	0180433V01	Board, display
17	3880484V01	Dust Cap	45	0380652V01	Screw, 2.2 x 6mm
18	3980458U01	Contact, rf ground	46	7580506C02	Pad, speaker
19	3980682E02	Contact, microphone	47	7580581V01	Pad, xtal
20	4280456U01	Clip, chassis; 2 used	48	3080512U02	Cable, flex
22	4580683E01	Lever, PTT			
23	5080468U02	Speaker	NON-REFERENCED ITEMS		
24	5080455U01	Microphone		3980671U01	Pad, conductor
25	5580462U01	Latch, battery			

P1225/P1225•LS Series

Portable Accessories

Chargers

Single unit chargers are available in either desktop or compact styles for small system users. Multiple unit chargers can be wall or rack mounted and are ideal for multi-shift operations. All chargers are specifically designed to meet the requirements of batteries manufactured by Motorola.

Single Unit Chargers, Rapid Rate



HTN9042A

HTN9042A Single Unit Intellicharger, 110V, (90 minute charge time for NiCd batteries)

HTN9043A Single Unit Intellicharger, 220V, European plug (90 minute charge time for NiCd batteries)

HTN9044A Single Unit Intellicharger, 240V, UK plug (90 minute charge time for NiCd batteries)

Single Unit Chargers, Standard Rate

HTN9702A 110V, 10 hour Standard Rate Charger

HTN9804A Single Unit Standard Charger, 220V, European plug

HTN9805A Single Unit Standard Charger, 240V, UK plug

HLN9405B Six-Unit Charger Conversion Kit, 120V

HLN9406A Six-Unit Charger Conversion Kit, 220V

HLN9407A Six-Unit Charger Conversion Kit, 240V



HTN9702A

Wall Mount Brackets

HLN9293A Wall Mount Bracket. For 90-Minute Multi-Unit Charger

HLN9944A Wall Mount Bracket for Multi-Unit Chargers

Chargers

Multiple Unit Charger (MUC)

Multi-unit chargers offer six pockets that can be used to rapid charge 1 to 6 batteries simultaneously. The batteries can be charged with the radios or separately. Ideal for multi-shift operations.

HTN9748C 120V, 6-unit, 1 Hour Rapid Rate Charger (NiCd only)

HTN9811C 220V, 6-unit, 1 Hour Rapid Rate Charger, European plug (NiCd only)

HTN9812C 240V, 6-unit, 1 Hour Rapid Rate Charger, United Kingdom plug

HTN9060A 110V, 6-unit, 1 Hour Rapid Rate Charger (NiCd only)

HTN9061A 220V, 6-unit, 90 Minute Rapid Rate Charger, (NiCd only)



HTN9748C

Travel Charger

RLN4833A Travel Charger kit includes a cigarette lighter adapter attached to a rapid charger and mounting bracket. Allows radio to be used while it is charging.



RLN4833A

Travel Charger Mounting Bracket

0780384K84 Universal Mounting Bracket for Travel Charger. Includes screws and nylon cord.

Travel Charger AC Transformer

Travel charger AC transformer adapts onto the cigarette lighter adapter cord to allow it to be plugged into an AC wall outlet for indoor use

2580600E05 Transformer 120V (US)

2580600E06 Transformer 230V (Euro)

2580600E07 Transformer 230V (U.K.)

2580600E08 Transformer 220V (Argentina)

P1225/P1225•LS Series

Portable Accessories

Motorola Conditioning Charger (MCC)

The MCC will help extend battery life and enhance battery operation. It will safely condition and charge your specified nickel cadmium (NiCd) and nickel metal hydride (NiMH) batteries in approximately an hour.

WPLN4084BR Motorola Conditioning Charger Kit, 110V AC (includes base unit and 7V adapter)



WPLN4084BR

WPLN4085BR Motorola Conditioning Charger Kit, 220V AC (includes base unit and 7V adapter)

WPPN4065BR

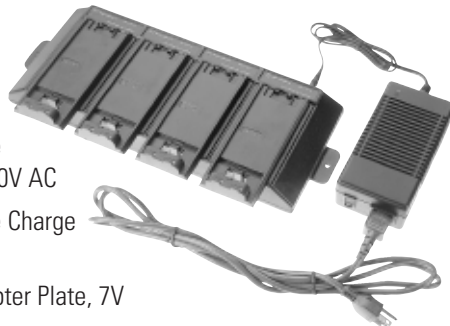
Four-Station Base, 110V (order adapter plates separately)

WPPN4002BR Base Charge Unit Only, 110V AC

WPPN4006AR Base Charge Unit Only, 220V AC

WPPN4020BR Adapter Plate, 7V

RLN4814A Vehicular Mounting Bracket for single unit Motorola Conditioning Charger



WPPN4065BR

Vehicular Mounting

RLN4814A Vehicular Mounting Bracket and Hard Wire Cable for Single-Unit MCC. Includes DC Hard Wire Cable 3080384M21.

3080384M21 DC Hard Wire Cable. For vehicular installation.

3080384G15 Vehicular Power Adapter Cord

Vehicular Charger Bracket



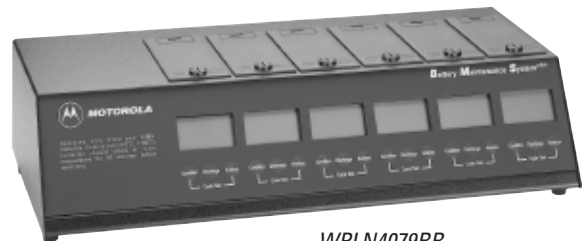
HLN9719A

HLN9719A Vehicular Charger Adapter/Bracket, 12V (for use with rapid rate chargers HTN9042, HTN9630, HTN9802 or HTN9803)

Battery Maintenance System^{plus} (BMS^{plus})

Increase the useful life of your batteries.

Using interchangeable battery adapters (sold separately), the BMSplus is capable of charging and discharging, analyzing, conditioning and cycle test on batteries; tracking battery voltage and capacity (mAh). The BMSplus offers a 3 year warranty. Its easy-to-use design supports hundreds of 2-way, cellular, and camcorder batteries with printer port* (Serial-RS-232C port – uses female 9-pin to male 25-pin cable).



WPLN4079BR

WPLN4079BR Six-Station, 110V AC, 50/60 Hz

WPLN4080BR Six-Station, 230V AC, 50/60 Hz

NDN4005B 3-Station BMSPLUS, 110 Volt AC, 50/60 Hz. Does not support Li-ion or 3-cell batteries.

NDN4006B 3-Station BMSPLUS, 230 Volt AC, 50/60 Hz. Does not support Li-ion or 3-cell batteries.

WPLN4085AR BMS^{plus} Li-ion Field Upgrade Kit. Upgrades WPLN4079AR, WPLN4080AR, WPLN4081AR

BMS^{plus} Adapter

CDN6353A Adapter, 7.5V, 110 mAh, for HNN9049A and HNN9050A batteries



CDN6353A

*Compatible with the STAR Micronics SP200 series printers, available from any STAR Micronics distributor, and other printers with STAR emulation.

P1225/P1225•LS Series

Portable Accessories

Battery Optimizing System II (BOS II)

No other battery analyzer matches the speed, accuracy, and versatility of the Battery Optimizing System II. Ideal for large fleet, public safety, and all other users who rely on their battery performance. Now with increased power, more sophisticated programming options, and easier to use navigation paths, optimizing your batteries was never easier. Key features include:



- Support for NiCd, NiMH, Li-ion, and SLA batteries
- 100 watt power supply and programmable from 100 mA to 4 amps per station
- Interchangeable adapters accommodate all major brands
- Includes a variety of user programs and allows for customizable programming
- Proprietary recondition cycle restores NiCd and NiMH batteries
- Increased processing power and testing resolution – including a three minute Quicktest that measures the batteries State of Health (SoH)
- Printer output for reports and labels
- Three year warranty

WPLN4124AR BOS II, Four-Station, 100-240V AC (US line cord)

WPLN4125AR BOS II, Four-Station, 100-240V AC (UK/Euro line cords)

BOS II Battery Adapter

RL-75830 Adapter for NiCd battery HNN9049A

Carrying Accessories

Carrying Cases

A variety of carrying accessories are available for your comfort and convenience. The carrying cases are available in sizes designed to fit your radio and battery and permit audio to be heard clearly.

Nylon Carry Cases

HLN9416A Nylon Carry Case with Belt Loop

Leather Carry Cases

HLN9417A Standard Leather Carry Case with Belt Loop and D-Rings (for use with shoulder strap)

HLN9323A Standard Leather Carry Case with Swivel



HLN9416A



HLN9417A



HLN9323A

P1225/P1225•LS Series

Portable Accessories

Carrying Accessories

DTMF Carry Cases

HLN9238A DTMF Display Leather Carry Case with Swivel

HLN9239A DTMF Display Leather Carry Case with Belt Loop and D-Rings – for use with shoulder strap (P1225•LS, fits full and keypad radio models)

RLN4804A DTMF Display Leather Case with Swivel (fits standard 3-key portable)

RLN4805A DTMF Display Leather Case with Belt Loop (fits standard 3-key portable)



HLN9238A



HLN8414A

General Carry Cases

HLN8414A Chest Pack Carry Holder

HLN9985B Waterproof Bag, includes large carrying strap

Wrist Strap

HLN8052A Wrist Strap

Carrying Straps

NTN5243A Shoulder Carry Strap)

HLN9973A Replacement Strap for nylon and leather carry cases

HLN9974B Replacement Strap for carry cases (P1225 – for DTMF carry cases)

HLN9015A Replacement Strap for leather carry cases (for use with HLN9416, HLN9417, HLN9323, and HLN9239 carry cases)



NTN5243A

Carrying Accessories

Belt Clips

HLN9724A 2-1/2" Belt Clip

HLN8255B 3" Spring Action Belt Clip

Belt

4200865599 1-3/4" wide leather belt for all models

Swiveller

HLN9149AR Swivel Belt Loop Adapter

NTN8039B 2-1/2" Swivel Belt Loop for leather cases (P1225 – same belt loop in the HLN9323 and HLN9238)

NTN8040B 3" Swivel Belt Loop

4280483B03 Replacement Swivel Belt Loop 2-1/2" (for use with HLN9416, HLN9417, HLN9323, and HLN9239 carry cases)

4205857B01 Replacement Belt Loop, Swivel 3" (for use with HLN9416, HLN9417, HLN9323, and HLN9239 carry cases)



HLN9149AR

P1225/P1225•LS Series

Portable Accessories

Carrying Accessories

Chest Pack

Carry the radio mounted on chest with adjustable straps over shoulders and around waist.

HLN6602A Universal Chest Pack with Radio Holder, Pen Holder, and Velcro Secured Pouch

1505596Z02

Replacement Strap for HLN6602A/RLN4570A



HLN6602A

Carrying Accessories

Portable Radio Hangers

The portable radio holder slides over and hangs from the door panel in a vehicle. The radio's belt clip slides onto the portable hanger allowing convenient, easy mounting. Two sizes are available to fit door panels.



TDN9327A

TDN9327A Portable Radio Hanger for door panels up to 2.75"

TDN9373A Portable Radio Hanger for door panels 2.75" to 3.25"



RLN4570A

Break-A-Way Chest Pack

All of the same features as the original chest pack (HLN6602A) plus break-a-way tabs that allow the entire pack to be pulled off with approximately 10 lbs. of pressure. Perfect for railroads, manufacturing locations, construction sites and anywhere safety is a concern.

RLN4570A Break-A-Way Chest Pack

Universal Holders

A great solution for forklift operators! The gooseneck bracket can be mounted inside the forklift and the height adjusted for each driver. The Wheelchair Quick Release can be easily mounted to a wheelchair. Accommodates any Motorola radio.

RLN4943A Universal Holder with Gooseneck Bracket

RLN4944A Wheelchair Quick Release Assembly

RLN4945A Universal Holder with Gooseneck Bracket and Wheelchair Quick Release Assembly

RadioPAK™

RLN4815A Universal RadioPAK™ with Radio Holder. Worn around waist with adjustable belt. Includes attached 6" by 8" zippered pouch for other job necessities.

4280384F89 Universal RadioPAK™ belt lengthener; fits waists larger than 40"



RLN4815A

Audio Accessories

Remote Speaker Microphone (RSM)

Allows you to talk and listen without removing the radio from the belt, case or charger. Ideal for high noise level environments. This water resistant compact unit has a coiled cord, PTT switch and back cover clothing clip.



HMN9030A*

Remote Speaker Microphone

HKN9094A Replacement Coiled Cord for HMN9030A

HMN9030A

*Intrinsically safe

P1225/P1225•LS Series

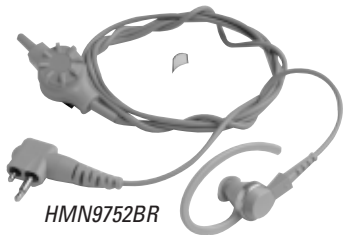
Portable Accessories

Audio Accessories

Surveillance Kits

Surveillance accessories allow the user to privately receive communications with the earpiece and are ideal when environments require discrete communications.

HMN9727B* Receive-only Surveillance Kit, beige (single-wire)



HMN9727BR

RLN4894A Receive-only Surveillance Kit, black (single-wire)

HMN9752B* Receive-only Surveillance Kit with Volume Control, beige (single-wire),

HMN9754D* Surveillance Kit with Microphone and Push-To-Talk Combined, beige (two-wire),



HMN9754D

RLN4895A Surveillance Kit with Microphone and Push-To-Talk Combined, black (two-wire)

Surveillance Kit With Extended Wear Comfort Earpiece

Low-noise enhancement already attached for extra convenience. Users can hear transmissions clearly, while the clear tube provides a discreet appearance.

RLN5317A Two-Wire Comfort Earpiece with Combined Microphone and Push-to-Talk; beige

RLN5318A Two-Wire Comfort Earpiece with Combined Microphone and Push-to-Talk; black

Replacement Items

5080370E97 Eartips Standard Clear

5080369E40 Earloop, Plastic, Beige

5080370E92 Earloop, Plastic, Black

5880377E06 Plastic Earloop Adapter

5080369E38 Standard Earpiece Assembly (includes Earphone, Earloop, and Eartip), Beige

5080370E90 Standard Earpiece Assembly (includes Earphone, Earloop, and Eartip), Black

* Intrinsically safe



Audio Accessories

Completely Discrete Earpiece Kit

Enables users to communicate with ease, in full privacy, without visible equipment. This miniaturized receiver is discretely hidden in ear, where it fits comfortably for long periods at a time. Small as it is, it offers a full range of audio functions including automatic squelch, automatic gain control and noise filtering. Average battery life is approximately 100 hours and includes an end-of-life battery circuit generating a warning signal when the battery needs to be changed.

Kit includes wireless receiver plus an inductive neckloop. Just remove the earpiece on any standard 2- or 3-wire Motorola surveillance kit (sold separately) and plug in the neckloop to use. Kit includes 6 spare batteries and 5 replacement ear wax guards.



RLN4922A

RLN4922A Completely Discrete Earpiece Kit

Replacement Items

RLN4919A Ear Wax Guards, 5 per pack

RNN4005A 1.4 Volt Battery, 6 per pack

P1225/P1225•LS Series

Portable Accessories

Audio Accessories

Noise Kits

Lightweight translucent tube attaches to Motorola surveillance accessories. Clothing clip prevents the accessory from being pulled from the ear due to body movement or head rotation.

NTN8370A Extreme Noise Kit, includes 2 foam earplugs for loud environments, provides 24dB noise protection

NTN8371A Low Noise Kit, includes rubber eartip for low noise environments

5080384F72 Replacement Foam Plugs; pack of 50 (for use with NTN8370A)

5080370E97 Standard Rubber Eartips, Clear.

5080369E39† Extra Loud Earphone. Beige.

5080370E91† Extra Loud Earphone. Black.



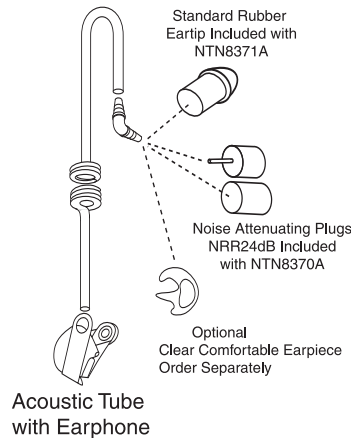
NTN8370A

Clear Comfortable Earpiece

The clear comfortable earpiece forms to the inside of your ear and is perfect for low noise environments. Compatible with the NTN8371A, clear acoustic tube assembly, and most surveillance kits (1-, 2- and 3-wire). This earpiece is made of easy-to-clean chemically inert, hypoallergenic material.

There are 3 items needed to make this product work:

1. Clear Comfortable Earpiece
2. Clear Acoustic Tube Assembly with Earphone (NTN8371A)
3. Surveillance Kits



Audio Accessories

RLN4760A Small Custom Earpiece, right ear

RLN4763A Small Custom Earpiece, left ear

RLN4761A Medium Custom Earpiece, right ear

RLN4764A Medium Custom Earpiece, left ear

RLN4762A Large Custom Earpiece, right ear

RLN4765A Large Custom Earpiece, left ear



Ear Microphone System (EMS)

This compact unit picks up the voice through bone vibrations in the ear canal. The miniature earpiece leaves the hands free and face unobscured when worn by rescue and hazard protection personnel, who still retain the ability for direct hearing and speaking. For personnel required to wear breathing apparatus, communications with protective masks are as clear as communications without. And its high speech clarity under noisy environments makes it ideal for high noise environments. Available in PTT or Voice Activated (VOX).



BDN6646C

BDN6646C* Ear Microphone for standard noise levels (up to 95dB) with Push-To-Talk interface, (HLN8096 security clamp is recommended and must be ordered separately)

BDN6706B* Ear Microphone for standard noise levels (up to 95 dB) with Push-to-Talk voice-activated interface module, (HLN8096 security clamp is recommended and must be ordered separately)

† Extra Loud Earphone exceeds OSHA limits.

* Intrinsically safe

P1225/P1225•LS Series

Portable Accessories

Audio Accessories

Ear Microphone System (EMS) Accessories

5080370E97 Standard Eartip, Clear

0180358B38* Remote Push-to-Talk Switch for ear microphone system

0180300E83 Body Switch Push-to-Talk for ear microphone system



0180358B38



0180358B33

0180300E25 Earguard with Adjustable Loop

0180358B32 Earholder, Black, Size Small

0180358B33 Earholder, Black, Size Medium

0180358B34 Earholder, Black, Size Large

0180358B35 Earholder, Clear, Size Small

0180358B36 Earholder, Clear, Size Medium

0180358B37 Earholder, Clear, Size Large

4280369E44 Replaceable Belt clip with Screws

5080358B28 Eartips, Black, Size Medium (10 per pack)

5080358B29 Eartips, Black, Size Large (10 per pack)

5080358B30 Eartips, Beige, Size Medium (10 per pack)

5080358B31 Eartips, Beige, Size Large (10 per pack)

HLN8096A Audio Accessory Security Clamp

Flexible Ear Receiver

BDN6720A Flexible Ear Receiver—earpiece without volume control (flexible earloop and speaker which rests external to ear), (HLN8096 security clamp is recommended and must be ordered separately)

7580372E11 Replacement Foam Ear Cushion for BDN6720A

Pellet Style Earpieces

Allows the user to receive and transmit communication discretely

HLN9132A Receive-Only Earbud

HMN9036A Earbud with clip microphone and PTT

* Intrinsicly safe



Audio Accessories

Add-On Retrofit Kits

HLN3748A* DTMF Retrofit for 16 channel models (applicable on shipments after 3/15/92); Factory Mutual Approved radios must be returned to the depot for retrofitting

Ultra-light Headset

RLN5411A* Designed with a sleek new look that fits right in with Restaurant and Hospitality industries. Lightweight, behind-the-head style design provides comfort and mobility. Includes flexible boom microphone and in-line push-to-talk button.



RLN5411A

Ultra-light Earpiece with Microphone and Push-To-Talk

PMMN4001A Small and lightweight, this earpiece clips comfortably to the ear and features a boom microphone and in-line PTT

Lightweight Headset



HMN9013A

RMN4016A Lightweight Single Muff Headset with Swivel Boom Microphone for left or right ear operation with in-line PTT button

HMN9013B* Lightweight Adjustable Headset with Swivel Boom Microphone (HLN8096 security clamp recommended ordered separately; compatible with Internal VOX)

REX4648A Replacement Foam Earpad and Windscreen Kit for RMN4016A and HMN9013A

P1225/P1225•LS Series

Portable Accessories

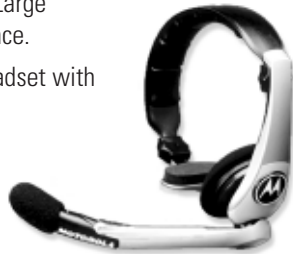
Audio Accessories

NFL Style Headsets

These single-muff headsets take styling cues from the Motorola headsets used by NFL coaches in football stadiums around the country. Ergonomically-designed for all-day comfort, they're ideal for both sports and special events. Features a noise canceling boom microphone and in-line Push-To-Talk. Large Motorola logo adds a sporty appearance.

RLN5238A NFL Style Lightweight Headset with Swivel Boom Microphone

RMN5047A Single-Muff, Heavy-Duty Headset with Swivel Boom Microphone



RLN5238A

Medium Weight Headsets

***HMN9021A** Medium Weight Dual Muff Headset, over the head noise reduction rating = 24dB (HLN8096 security clamp recommended ordered separately)



HMN9021A

HMN9022A* Medium Weight Dual Muff Headset, behind the head (can be worn with helmet); noise reduction rating = 24dB (HLN8096 security clamp recommended ordered separately)



HMN9022A

Replacement Parts for HMN9021A and HMN9022A

- 7580376E34** Replacement Foam Earseals (1 pair)
- 1580376E32** Replacement Cloth Cover for Earseals (1 pair)
- 5080548E02** Replacement Windscreen for Boom Microphone
- 3280376E35** Replacement O-ring for windscreen
- 3080384L77** Replacement Cable
- 4204004K01** Replacement Adjustable Headstrap for HMN9022A

Audio Accessories

BDN6647G Medium Weight Single Speaker Headset with Boom Microphone (HLN8096 security clamp recommended – order separately-comp with Internal VOX)

5080371E66 Replacement Earpad for BDN6647

3580371E59 Replacement Windscreen (for boom microphone) for use with BDN6647

Noise-Canceling Headsets with Boom Microphone

Ideal for two-way communication in extremely noisy environments. Dual-muff tactical headsets include two microphones on the outside of the earcups which reproduce the ambient sound back into the headset. Harmful sounds are suppressed to a safe level and low sounds are amplified up to 5 times the original level, but never more than 82dB(A). Includes on/off volume control on earcups and 3-foot curly cord. Easily replaceable earseals are filled with liquid and foam combination to provide excellent sealing and comfort. Requires separate in-line PTT adapter cable RKN4094A. Hardhat not included.



RMN4053A

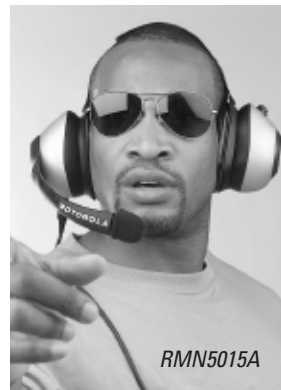
RMN4052B Tactical Headband Style Headset, grey; noise reduction rating of 24dB

RMN4053B Tactical Hardhat Mount Headset, grey; noise reduction rating of 22dB

Racing Headset

Racing Headset - Same headset worn by pit crews on the CART racing circuit. Heavy Duty, behind the head Headset with Noise Cancelling Swivel Boom Microphone. Noise Reduction Rating = 24dB (adapter cable required and sold separately)

RMN5015A Racing Headset (Requires RKN4090A radio adapter cable)



RMN5015A

P1225/P1225•LS Series

Portable Accessories, Antennas

Audio Accessories

Hardhat Mount Headset with Noise-Canceling Boom Microphone

Ideal for two-way communication in high-noise environments; mounts easily to hardhats with slots, excellent noise reduction of 22dB. Easily replaceable earseals are filled with liquid and foam combination to provide excellent sealing and comfort. 3-foot curly cord assembly. Requires separate in-line PTT adapter cable RKN4094A. Hardhat not included.

RMN4051B Two-Way Hardhat Mount Headset, black



RMN4051A

Adapter Cables

RKN4094A In-Line PTT Adapter Cable for GP300, SP50 and P1225 radios. For use with RMN4052B, and RMN4053A.

Replacement Earseals for Headsets

RLN4923B Includes Two Replacement Snap-In Earseals; recommended replacement interval is once every six months to ensure constant level of attenuation, hygiene and comfort. For use with RMN4051, RMN4052, and RMN4053.



BDN6648C

Heavy Duty Headset

BDN6648C* Heavy Duty Headset with Noise Cancelling Boom Microphone, noise reduction rating = 24dB

Portable Antennas

Heliflex Antenna

Motorola Heliflex antennas are specifically engineered for maximum output and greatest communication coverage.

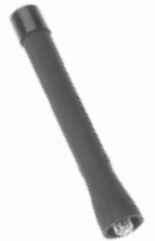
8505816K24 UHF Heliflex Stubby, 403-430 MHz, 3"

NAE6522AR UHF Heliflex Stubby, 440-470 MHz, 3"

8505816K26 UHF Heliflex Stubby, 470-512 MHz, 3"

HAD9338AR VHF Heliflex, 136-150.8 MHz, 6"

NAD6502AR VHF Heliflex, 146-174 MHz, 6"



8505816K24



NAD6502AR

Tunable VHF antenna

Tunable VHF antenna kit gives the best coverage.

HAD9728B VHF Kit, 146-174MHz, 6"



HAD9728B

Stubby Antenna

This stubby quarterwave antenna is ideal when radio is worn on the belt because the short antenna is non-obtrusive.

HAD9742A Stubby, 146-162MHz, 3"

HAD9743A Stubby, 162-174MHz, 3"

Flexible Whip Antenna

Flexible Whip antennas have a one-piece finish and steel core for optimal radiation characteristics. Provides more comfort when radio is worn on the belt.

NAE6483AR Flexible Whip, 403-520MHz, 6"



HAD9743B

NAE6483AR

* Intrinsicly safe

P1225/P1225•LS Series

Batteries, Service Aids

Batteries

Nickel-Cadmium Premium

Part Number **HNN9049A**

Volts: 7.5

Avg. mAh: 1200

Height: 5-1/2"

Intrinsically Safe: No



HNN9049A

Part Number **HNN9050A**

Volts: 7.5

Avg. mAh: 1200

Height: 5-1/2"

Intrinsically Safe: Yes

Nickel Metal Hydride Premium

Part Number **HNN9051A**

Volts: 7.5

Avg. mAh: 1400

Height: 5-1/2"

Intrinsically Safe: No

Compatible only with Intellichargers.

Service Aids

Programming Stand

HLN9359A Programming Stand

Radio Interface Box (RIB)

Links radio programming cable and computer interface together. Provides required voltage shift to enable communications between radio and computer. Requires computer interface cable, radio test and programming cable, and a 9 volt snap type battery (6088278J01), order separately.



RLN4008E

RLN4008E Radio Interface Box

Computer Interface Cable

Used to connect computer's serial adapter to Radio Interface Box.

3080369B71 Cable, RIB to 25 pin D

3080369B72 Cable, RIB to 9 pin D



3080369B71

Wall Mounted Power Supply

Used to supply power to the radio interface box, RLN4008E.

0180357A57 Wall Mounted Power Supply, 110 Volts

0180358A56 Wall Mounted Power Supply, 220 Volts



0180357A57

P1225/P1225•LS Series

Service Aids, Manuals

Service Aids

AT to XT Computer Adapter

RLN4438A Allows 3080369B72 to plug into a XT style communications port

Test Set Cable

RKN4034A Connects radio to RTX4005 Test Box

Programming Software

Utilizing your personal computer, this software enables you to add or reprogram the P1225 as your requirements change. Requires Radio Interface Box, proper cables, and programming stand order separately.

HVN9054D Programming Software (includes RSS Getting Started Manual and storage box)

Minimum Platform Requirements

- 80386 Microprocessor
- 4 MB of RAM
- HDD (Hard Disk Drive) 30 MB or higher
- Microsoft® Windows™ 3.1 or higher
- 1.44 MB 3.5 in FDD (Floppy Disk Drive)
- Two (2) serial ports
- One (1) parallel (printer) port

Recommended Platform Requirements

- 80486 Microprocessor
- 8 MB of RAM
- HDD 80 MB or higher
- Microsoft® Windows™ 3.1 or higher
- 1.44 MB 3.5 in FDD
- Two (2) serial ports
- Mouse or trackball
- One (1) parallel (printer) port

Manuals

6880904Z94

Service Manual

HLN9234B

Operator Manual Kit

Over 7 million customers have made MyRadioMall.com America's #1 choice when it comes to dependable and reliable Motorola Communications at fantastic prices.

We are now celebrating our 12th year of online service and the best is yet to come.



Advanced Radio Systems, Inc
8726 NW 26 Street #6
Miami, Florida 33172
Voice Numbers: 305-884-1795
Toll Free: 1-866-900-Mall (6255)
Fax Number: 305-884-1985

12/25/2006