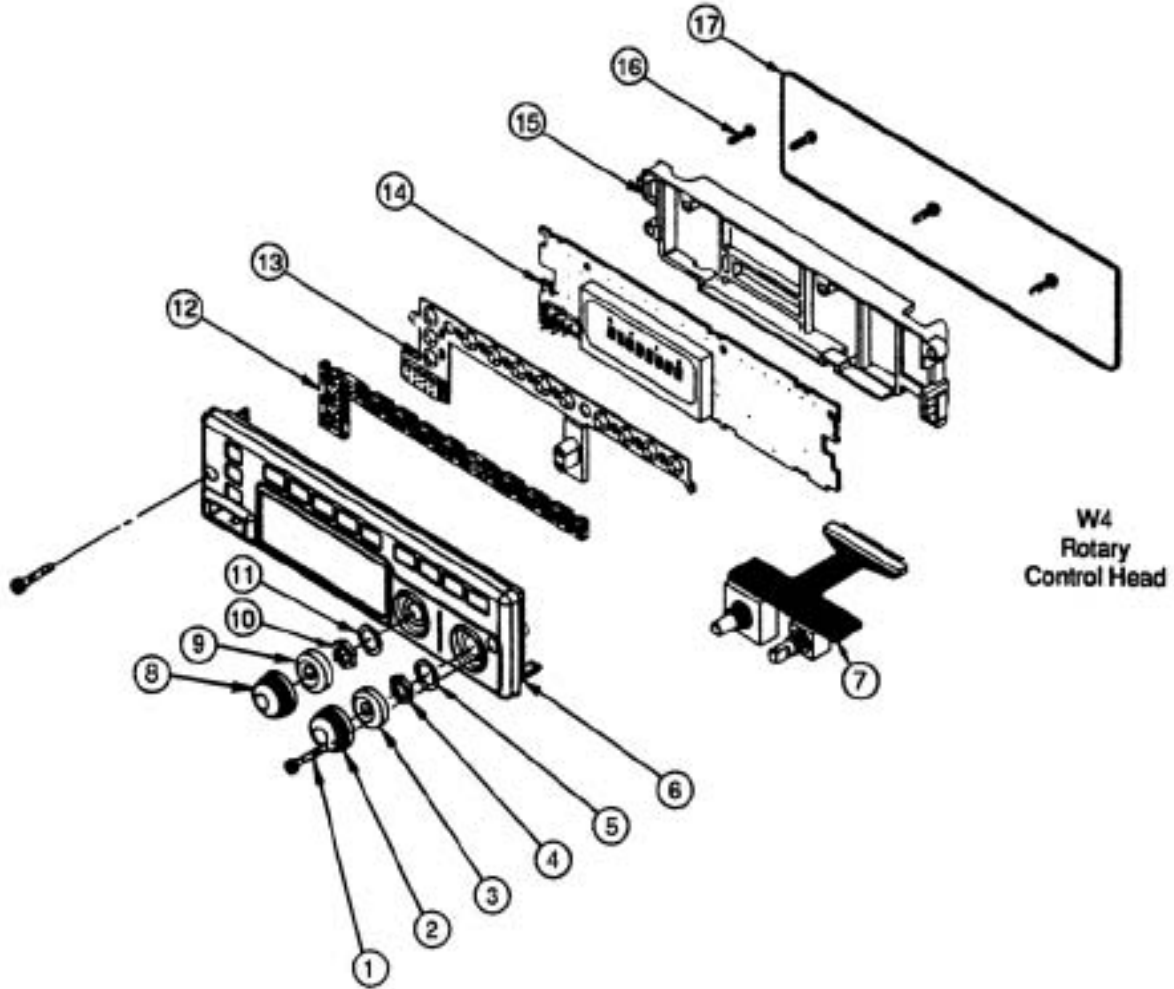


XTL 5000 Series



Parts List



Parts List

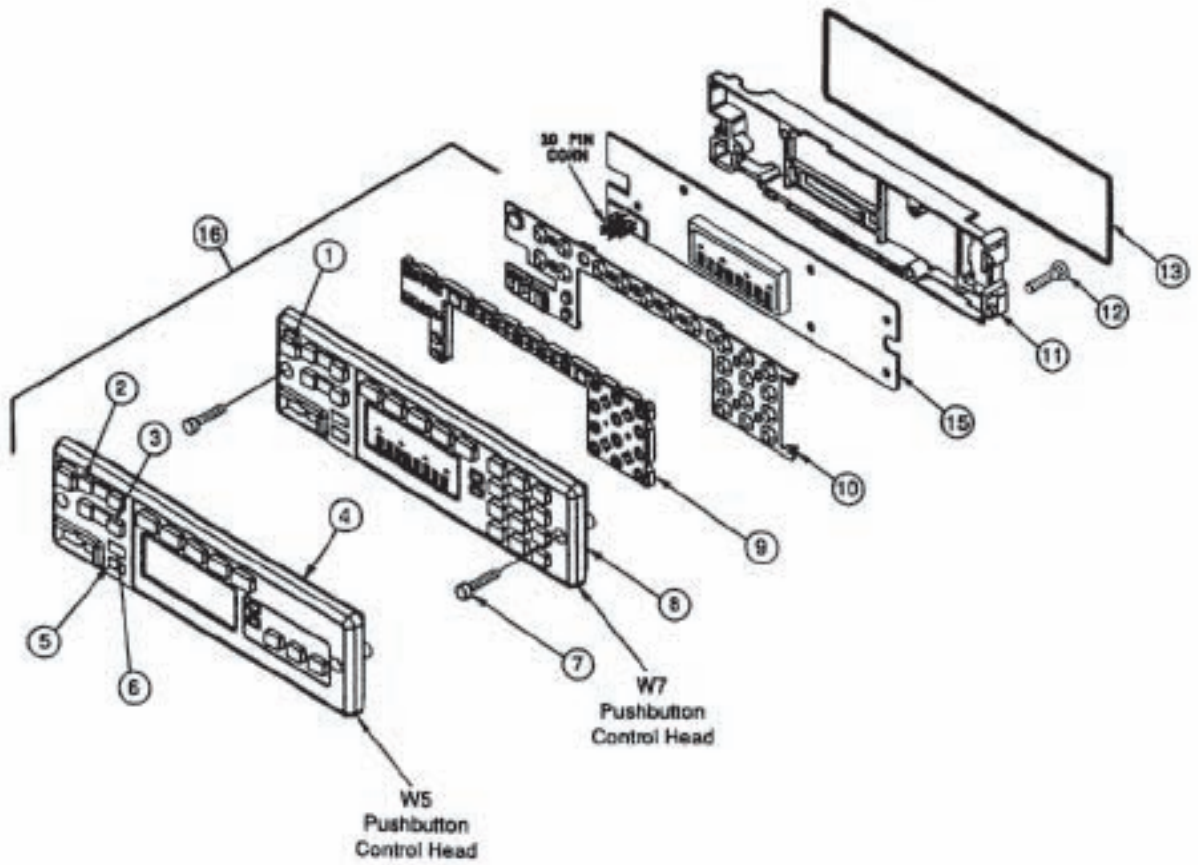
W4 Rotary Control Head

REF. NO.	PART NO.	DESCRIPTION	REF. NO.	PART NO.	DESCRIPTION
1	0380077M07	Screw, control head mounting (qty 2)	9	3205805V01	Gasket, W4 shaft (qty 2)
2	3602113Z05	Knob, volume control	10	0284218M02	Nut, mode switch
3	3205805V01	Gasket, W4 shaft (qty 2)	11	0484219M02	Lockwasher, mode switch
4	0284218M01	Nut, volume switch	12	6105129X01	Lightpipe
5	0484219M01	Lockwasher, volume switch	13	7505128X01	Keypad
6	1502117Z07	Housing, front cover (mobile)	14	AAHN4045_	Assembly, circuit board (mobile)
	or			or	
	1502117Z08	Housing, front cover (motorcycle)		PMLN4019_	Assembly, circuit board (motorcycle)
	or		15	4302112Z02	Spacer, internal
	1502117Z10	Housing, front cover (motorcycle)	16	0310945A14	Screw, machine (qty 4)
	or		17	3280289L02	Gasket, housing
	1502117Z11	Housing, front cover (motorcycle)			
	or				
	1502117Z12	Housing, front cover (rear)			
7	0102709J83	Assembly, volume and rotary switch			
8	3602113Z03	Knob, mode control			

Notes: _ = The latest version kit. When ordering, refer to your specific kit for this suffix letter.
 The HKN4356_ Radio Cable is used to remote mount the W4 Control Head.
 Universal Crypto Module (UCM) part numbers and descriptions are listed in the Encryption chapter of the service manual.

XTL 5000 Series

*Mobile
Accessories*



Parts List

W5 and W7 Pushbutton Control Head

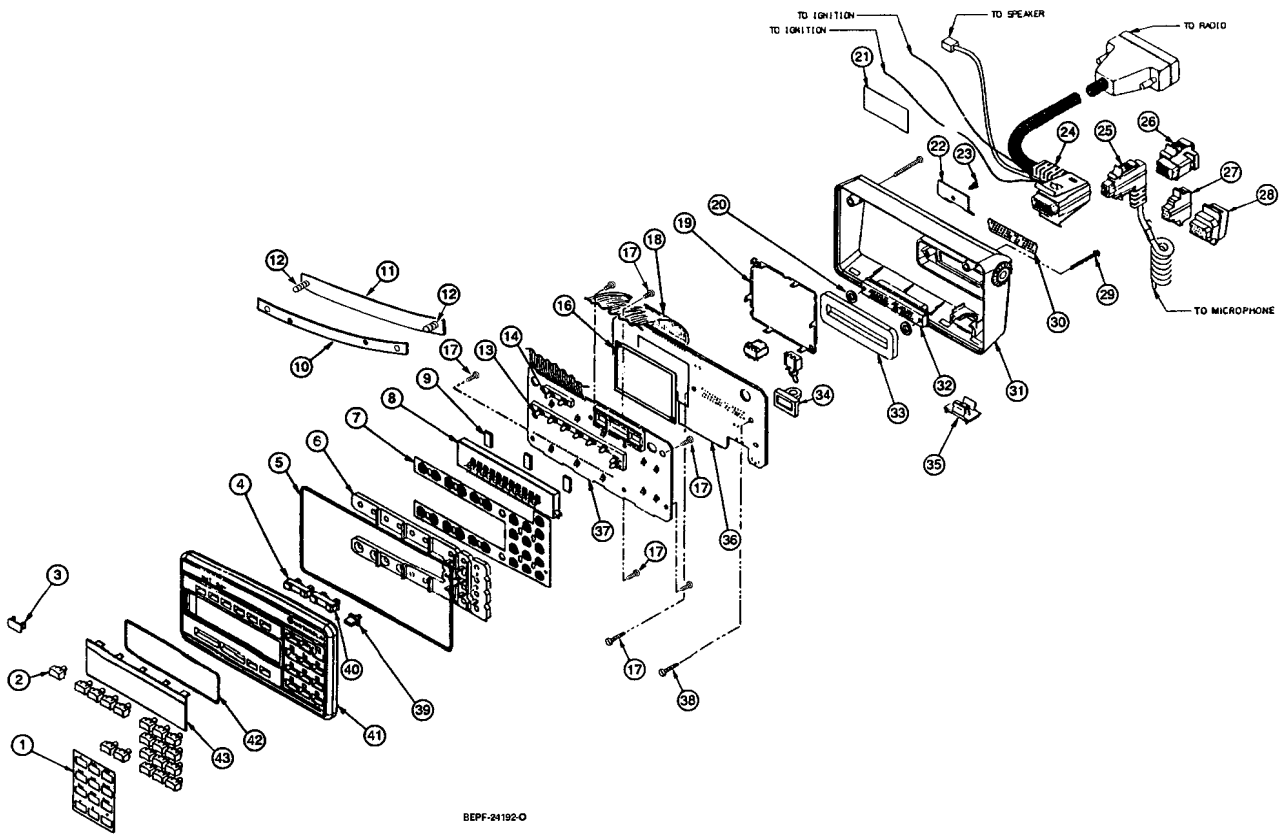
REF. NO.	PART NO.	DESCRIPTION	REF. NO.	PART NO.	DESCRIPTION
1	3880227M04	Switch, On/Off cap	15	HLN6396_	Board, control head (mobile)
2	3880009P01	Switch, mode rocker		or	
3	3880009P02	Switch, volume rocker		HLN6563_	Board, control head (motorcycle)
4	1580020S17	Housing, W5 front cover (mobile)	16	0180049S09	Assembly, W5 front cover (mobile)
	or			or	
	1580020S19	Housing, W5 front cover (motorcycle)		0180049S11	Assembly, W5 front cover (motorcycle)
	or			or	
	1580020S23	Housing, W5 front cover (motorcycle)		0180049S13	Assembly, W5 front cover (motorcycle)
	or			or	
	1580020S25	Housing, W5 front cover (motorcycle)		0180049S15	Assembly, W5 front cover (motorcycle)
	or			or	
	1580020S27	Housing, W5 front cover (rear)		0180058T16	Assembly, W5 front cover (rear)
5	3880092J05	Pushbutton, HOME		0180049S08	Assembly, W7 front cover (mobile)
6	3880092J05	Pushbutton, DIM		or	
7	0380077M07	Screw, (qty 2)		0180049S10	Assembly, W7 front cover (motorcycle)
8	1580020S16	Housing, W7 front cover (mobile)		or	
	or			0180049S12	Assembly, W7 front cover (motorcycle)
	1580020S18	Housing, W7 front cover (motorcycle)		or	
	or			0180049S14	Assembly, W7 front cover (motorcycle)
	1580020S22	Housing, W7 front cover (motorcycle)		or	
	or			0180049S15	Assembly, W7 front cover (rear)
	1580020S24	Housing, W7 front cover (motorcycle)			Item 16 includes items 1, 2, 3, 4 or 8, 5, 6, 9, and 10
	or				
	1580020S26	Housing, W7 front cover (rear)			
9	6180017S01	Lightpipe			
10	7580012S03	Keypad			
11	4380019S02	Spacer, internal frame			
12	0310945A14	Screw, tapping (qty 7)			
13	3280289L02	Gasket, housing			

Notes: _ = The latest version kit. When ordering, refer to your specific kit for this suffix letter.
 The HKN4356_ Radio Cable is used to remote mount the W5 and W7 Control Head.
 Universal Crypto Module (UCM) part numbers and descriptions are listed in the Encryption chapter of the service manual.

XTL 5000 Series



Mobile Accessories

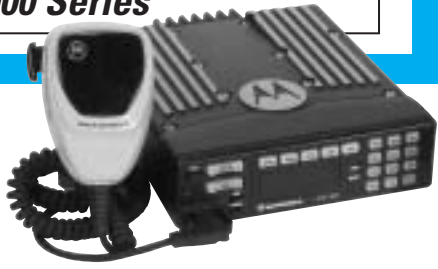


XTL 5000 Series
Parts List
W9 Pushbutton Control Head

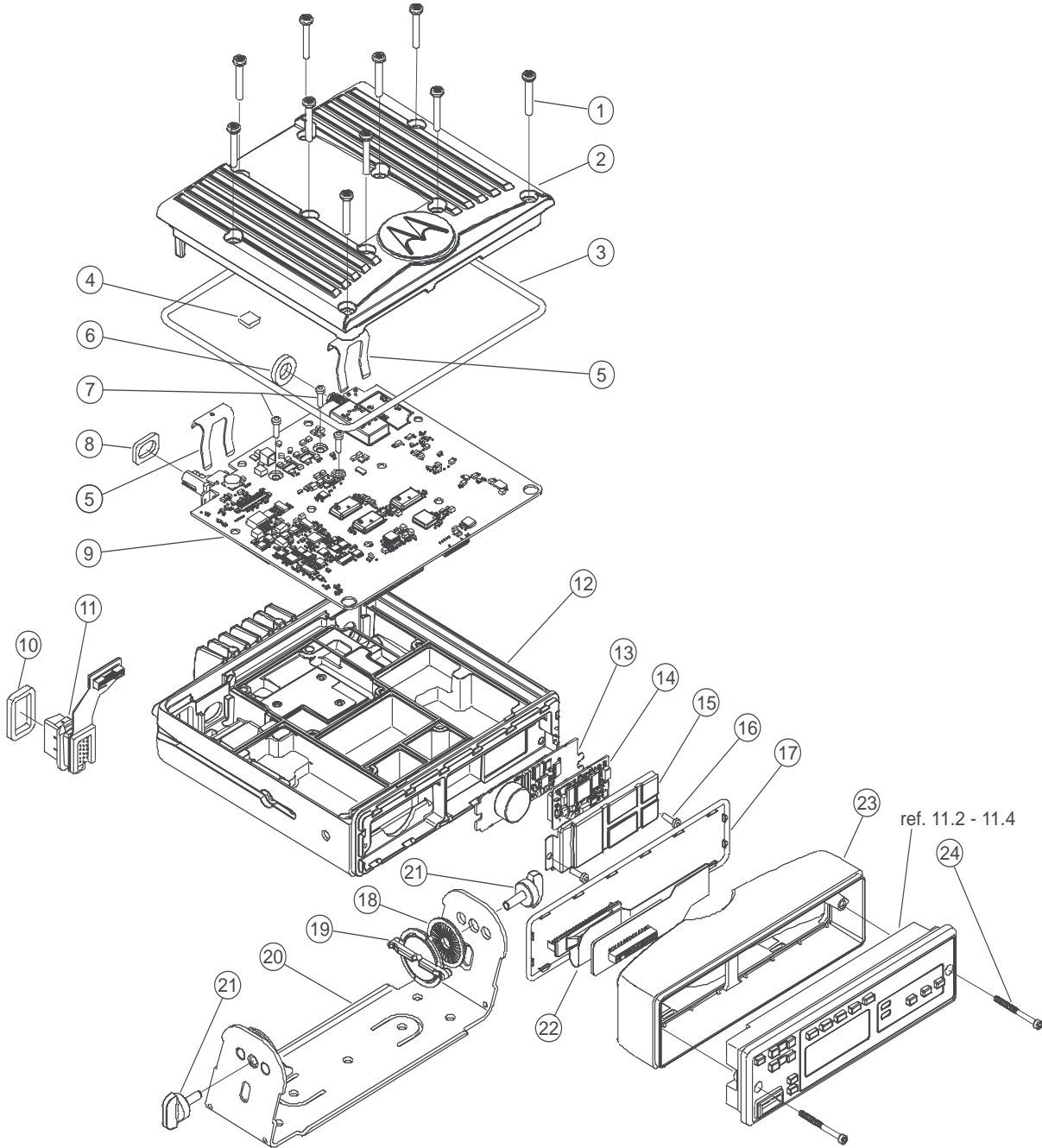
REF. NO.	PART NO.	DESCRIPTION	REF. NO.	PART NO.	DESCRIPTION
1	1380087J01	Escutcheon	19	2680190P02	Shield, component side
2	HLN5083_	Button, Emergency	20	3205082E90	O-Ring "D" connector (qty 2)
	HLN5091_	Button, Dir	21	3380178M01	Nameplate
	HLN5066_	Button, Scan	22	0784323C01	Bracket, strain relief
	HLN5256_	Button, Srch	23	0310908A18	Screw, machine
	HLN5074_	Button, Call	24	HKN4356_	Cable, radio
	HLN5268_	Button, Page	25	HMN1050_	Kit, microphone
	HLN5259_	Button, RPGM		or	
	HLN5258_	Button, Site		HMN1080_	
	HLN5090_	Button, PHON		or	
	HLN5072_	Button, H/ L		HMN1061_	
	HLN5257_	Button, Lock	26	1580221J01	Housing, VIP connector (optional)
	HLN5076_	Button, RCL	27	7502118Z01	Cover, rubber dust (MIC)
	HLN5085_	Button, SQL	28	7502118Z02	Cover, rubber dust (VIP)
	HLN5078_	Button, Del	29	0310908A33	Screw, machine (qty 2)
	HLN5087_	Button, Home	30	3205198X01	Gasket, face
	HLN5079_	Button, Sel	31	1505199X05	Housing, back
	HLN5095_	Button, blank	32	2805778W01	Connector, mini "D" 50 contact
3	3880253K04	Plug	33	3205143X01	Gasket, "D" connector
4	3880195P03	Switch, mode rocker	34	3205143X01	Gasket, On/Off switch
5	3205145X01	Gasket, internal frame	35	3880128J01	Key, On/Off
6	6105126X01	Lightpipe, keypad	36,37	HCN4046E	W9 Control Head (Board Kit, includes items 7, 8, 9, 13, 14, 16, 18, 19, 30 and 32)
7	7505127X01	Keypad	38	0310945A14	Screw, tapping (qty 2)
8	7280242J01	Display, VF	39	3880092J05	Key, blank
9	7580094M05	Pad, shock (qty 3)	40	3880195P02	Switch, volume rocker
10	1405410X01	Insulator	41	1505125X12	Housing, front
11	4180042S01	Spring, leaf assembly	42	3205144X01	Gasket, lens
12	0380041S01	Screw, captive (qty 4)	43	6105146X01	Lens, VF display
13	6180026R02	Spacer, LED (8-position)			
14	6180027R02	Spacer, LED (2-position)			
16	2680190P02	Shield, solder side (Includes two 1480269K01 insulators)			
17	0310945A11	Screw, tapping (qty 5)			
18	3080034K01	Cable, flex			

Note: _ = The latest version kit. When ordering, refer to your specific kit for this suffix letter.
 Universal Crypto Module (UCM) part numbers and descriptions are listed in the Encryption chapter of the service manual.

XTL 5000 Series



Mobile Accessories

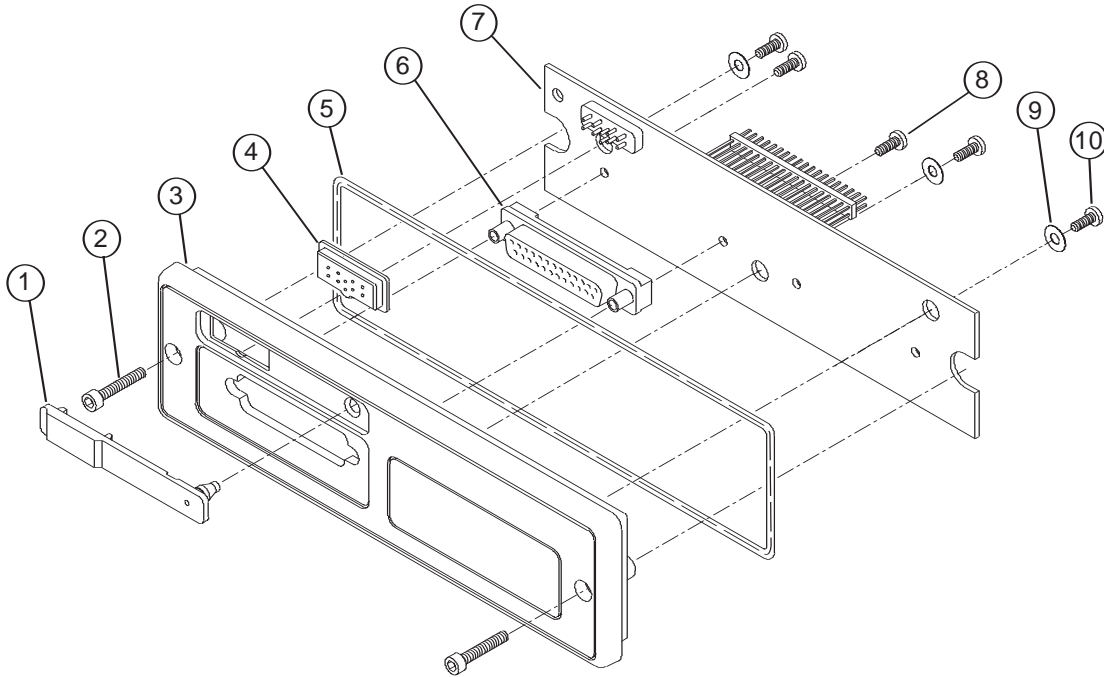


Parts List

10-35W Radio

REF. NO.	PART NO.	DESCRIPTION	REF. NO.	PART NO.	DESCRIPTION
1	0385870E01	Screw Assembly, top cover	17	HLN6876_	PCB Assembly, secure interface (3-day key retention)
2	1585860C02	Cover, millennium		or	
3	3285495E01	Seal, main O-ring		HLN6877_	PCB Assembly, secure interface (30-second key retention)
4	7585060F01	Pad, thermal, grey	18	---	Module, secure
5	3285743E01	Seal, RF connector	19	2685498E01	Shield, secure
6	0310907A20	Screw, M3X0.5X10 pan-head	20	0310907A20	Screw, M3X0.5X10, pan-head
7	3285744E01	Seal, DC connector	21	3285471E01	Seal, headbridge
8	4285702E01	Clip, RF/DC retention	22	3085020F01	Flex, dash mount
9	HUF4017_	PCB Assembly, main		or	
10	3085741E01	Connector, rear accessory port		3085019F01	Flex, remote mount
11	3285742E01	Seal, accessory	23	1585245E01	Housing, headbridge
12	0305760W02	Screw, M5.0X0.8X14.9 wing	24	0380077M07	Screw, control head M3X35
13	4305425W01	Spacer, inner			
14	4305426W03	Spacer, outer			
15	HLN6861_	Trunnion, millennium includes 18 (x2), 19 (x2), AND 21 (x2)			
16	2785862C02	Chassis, millennium			

Note: _=The latest version kit. When ordering, refer to your specific kit for this suffix letter.



Motorcycle Interconnect Board and Assembly (HLN6365)

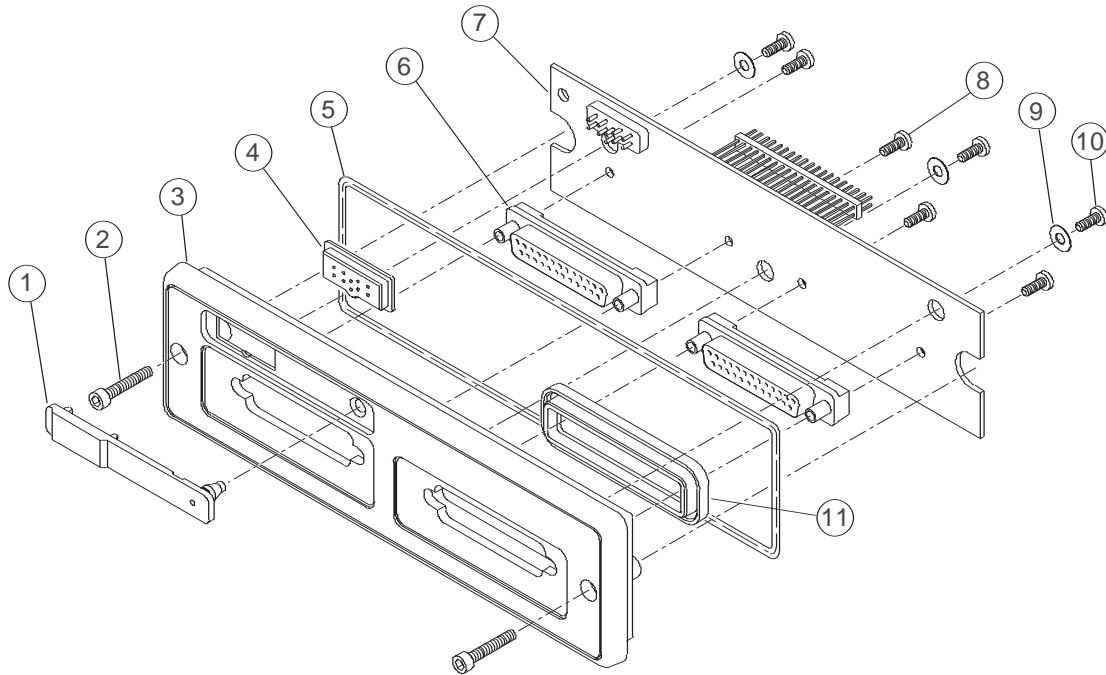
REF. NO.	PART NO.	DESCRIPTION
1	3880064P01	Cap, DVP connector
2	0380077M07	Screw, front mount
3	1580062P12	Housing, remote front
4	3280063P01	Gasket, DVP connector
5	3280289L02	Gasket, O-Ring
6	0980159P01	Connector, D-Sub
7	HLNxxxx_	Board, interconnect (See dealer for applicable kit number.)

REF. NO.	PART NO.	DESCRIPTION
8	0300139581	Screw, mach 4-40X5/16 P
9	0400131974	Washer, flt. 130.312
10	0310945A11	Screw, tapping P3.12X1.27X8

Note: _ = The latest version kit. When ordering, refer to your specific kit for this suffix letter.

XTL 5000 Series

Parts List



Low- and Mid-Power Interconnect Board and Assembly (HLN6344)

REF. NO.	PART NO.	DESCRIPTION
1	3880064P01	Cap, DVP connector
2	0380077M07	Screw, front mount
3	1580062P11	Housing, remote front
4	3280063P01	Gasket, DVP connector
5	3280289L02	Gasket, O-Ring
6	0980159P01	Connector D-Sub
7	HLNxxxx_	Board, interconnect (See dealer for applicable kit number.)
8	0300139581	Screw, mach 4-40X5/16 P

REF. NO.	PART NO.	DESCRIPTION
9	0400131974	Washer, flt. 130.312
10	0310945A11	Screw, tapping P3.12X1.27X8
11	3280025R01	Gasket, remote

NOT SHOWN

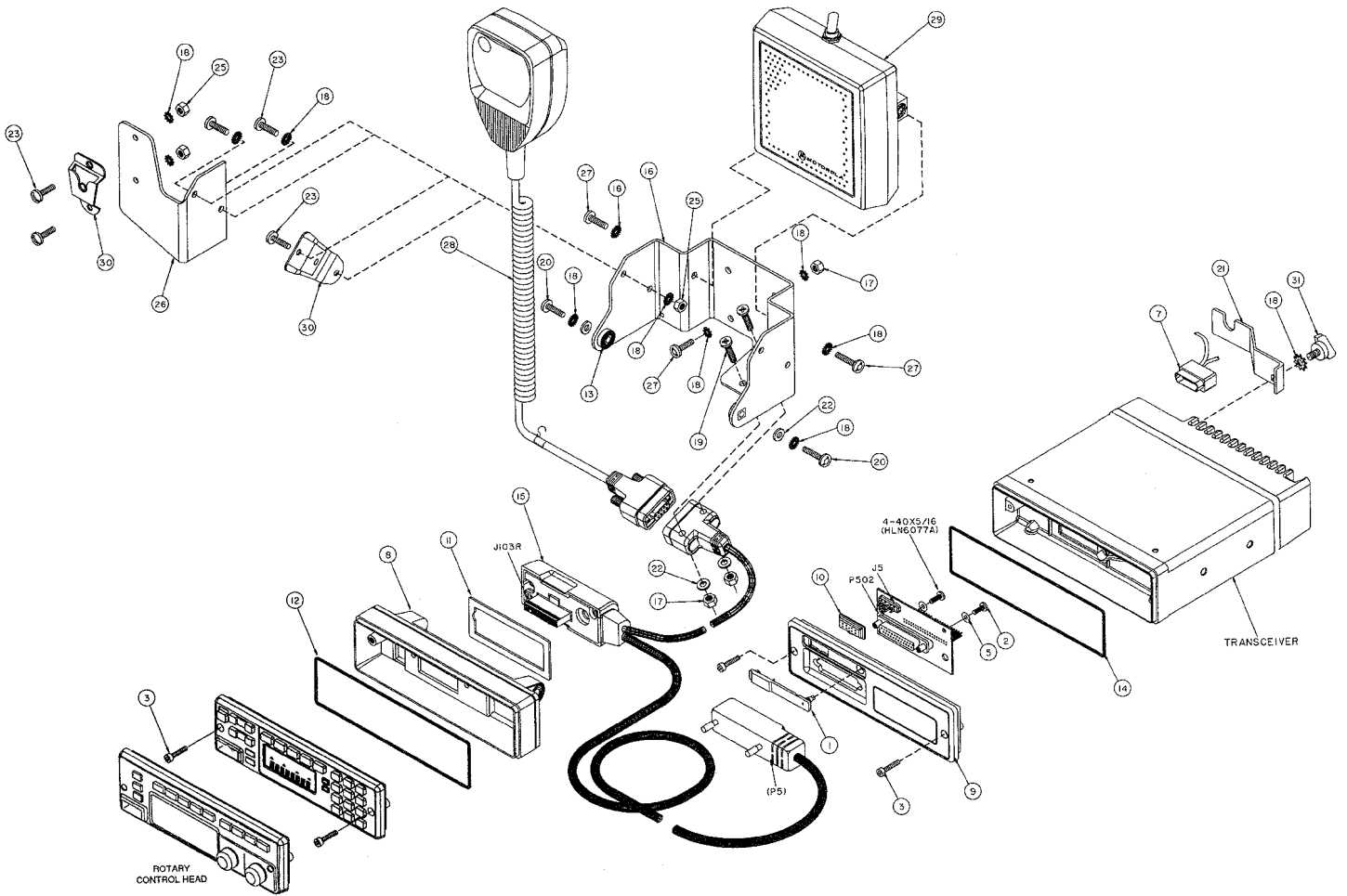
1580005G01* Cover, dust

Note: _ = The latest version kit. When ordering, refer to your specific kit for this suffix letter.

* = Used when the option cable is not used or when the radio is stowed.

XTL 5000 Series

Mobile Accessories



XTL 5000 Series

Parts List

Motorcycle Radio Remote-Mount Control Head with Speaker & Microphone

REF. NO.	PART NO.	DESCRIPTION
–	See Model Chart	Motorcycle hardware kit SECURENET
–	See Model chart	Motorcycle hardware kit
1	3880064P01	Cap, SECURENET connector
3	0380077M01	Screw, front-mount (4 used)
7	HLN6890_	Cable, accessory, motorcycle
8	1580293L03	Housing, back remote rework
9	1580062P12	Housing, front remote SECURENET
10	3280063P01	Gasket, SECURENET
11	3280231M01	Gasket
12	3280289L02	Gasket, housing
13	4380128N01	Spacer, trunnion (2 used)
14	3285471E01	Seal, headbridge
15	See Model Chart	Control-head cable, 22-conductor
–	See Model Chart	Motorcycle mounting kit
16	0780200P01	Bracket, control-head / speaker-mounting
17	0205681N03	Nut, hex, M5 x 0.8-6H x 8.87 (6 used)
18	0400002647	Lockwasher #10 ext (14 used)
19	0380114M05	Screw, machine, M5 x 0.8 x 30 mm (2 used)
20	0380114M04	Screw, machine, M5 x 0.8 x 16 mm (2 used)
22	0400128991	Washer, 0.234 x 0.5 x 0.048 (4 used)
23	0307644M19	Screw, machine, 8-32 x 7/ 16 (4 used)
25	0200001355	Nut, hex, 8-32 x 5/ 16 x 1/ 8 (4 used)

REF. NO.	PART NO.	DESCRIPTION
26	0780201P01	Bracket, extension
27	0380114M03	Screw, machine, M5 x 0.8 x 12 mm (2 used)
28	See Model Chart	Microphone and coiled cord
29	---	Speaker (see page 219)
30	0180743T91	Spring and bracket eyelet (HLN5391A)
31	3085019F01	Remote flex
32	1585245E01	Housing, headbridge
33	HLN6884_	Motorcycle interconnect board
34	0380077M07	Screw, control-head, M3 x 35 mm

NON- REFERENCED ITEMS

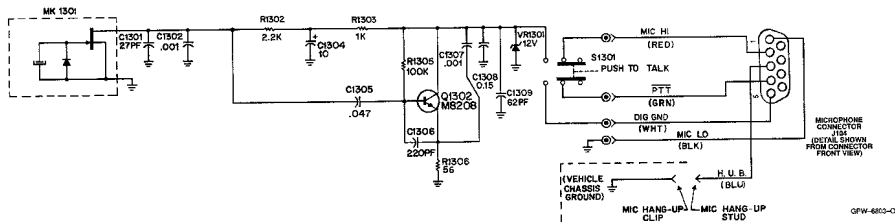
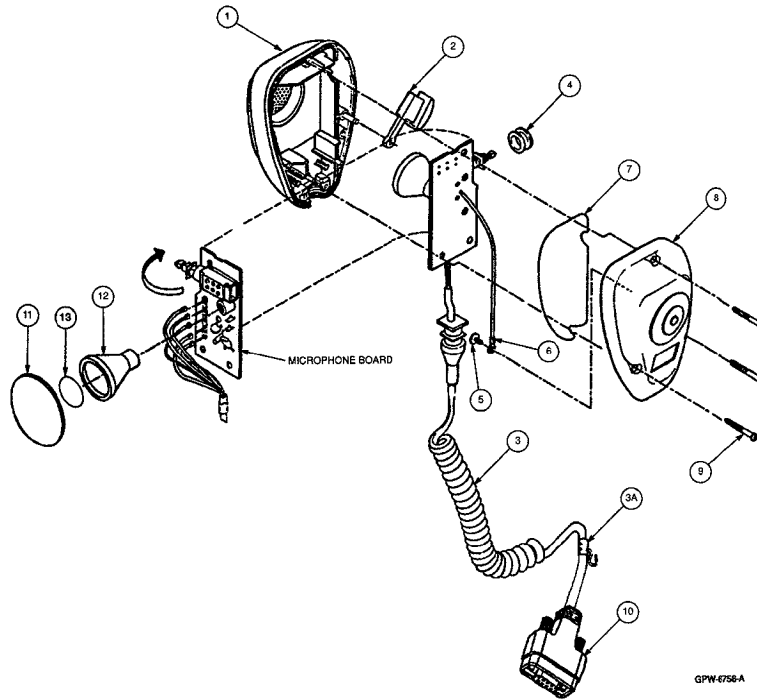
0312002A01	Screw, self-drilling (2 used)
0312002C01	Screw, self-drilling*
2900824456	Lug*
0780127N02	Trunnion, remote**

NOTE: _ = The latest version kit. When ordering, refer to your specific kit for this suffix letter.

* = These parts are provided in hang-up clip it for mounting the hang-up clip on surfaces that are not metallic and/ or are not grounded to the motorcycle chassis.

** = Used to mount control head when speaker and control head are mounted separately.

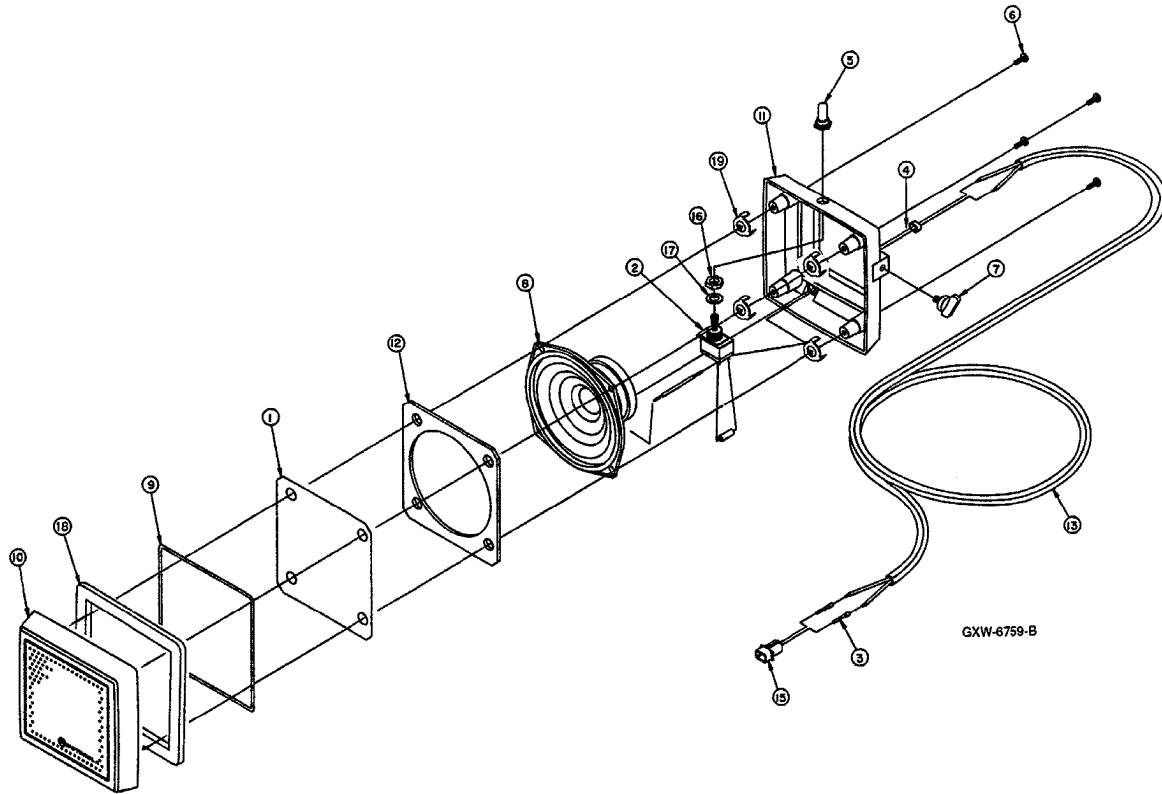
**Mobile
Accessories**



HMN1062_ Motorcycle Microphone

REF. NO.	PART NO.	DESCRIPTION
	HLN5459_	Microphone PC board (see Detailed Service Manual)
	See Model Chart	Hardware kit, motorcycle
1	1500335M01	Front housing, microphone
2	3880144D03	Button, microphone PTT
3	3080144D03	Cable, coiled, includes:
3A	4284061A03	Clamp, wire
4	0580221K01	Grommet, PTT switch
5	0310943M09	Screw, tapping, TT3 x 0.5 x 8

REF. NO.	PART NO.	DESCRIPTION
6	3080206L01	Wire, PC board to weight
7	3280058H03	Gasket, housing
8	0180750T91	Rear housing, microphone
9	0380076E04	Screw, metric H-LO (3 used)
10	0980218J01	Receptacle, microphone
11	3500008M02	Membrane
12	0580148D01	Grommet, microphone cartridge
13	3580089D01	Microphone felt

XTL 5000 Series
Parts List

HSN6003_ Motorcycle Weather-Resistant Speaker

REF. NO.	PART NO.	DESCRIPTION
1	3506850K01	Cloth grille
2	4083477E03	Switch, toggle, SPST
3	3910184A45	Contact, plug (2 used)
4	4282018H05	Cable retainer
5	3206682F01	Seal, toggle switch
6	0300140001	Screw, tapping, 6-19 x 7/8
7	0384244C06	Screw, wing, black shadow
8	5084561B08	Speaker, 5-inch, 30 W
9	3200046M04	Gasket
10	1300133M05	Bezel
11	1580099R02	Housing, speaker, weather- resistant
12	3206849K01	Gasket

REF. NO.	PART NO.	DESCRIPTION
13	3083155H01	Cable, 2-conductor
15	1510183A18	Housing, connector, 2-contact
16	4083477E03	Nut
17	0400001757	Washer
18	3280000S01	Gasket, speaker
19	0480299R01	Capsert (4 used)

NON- REFERENCED ITEMS

0611086A27	Resistor, 47 ohm, ±5%, 1 W
0780200E01	Trunnion bracket, speaker (not shown)
0312002B14	Screw, self-drilling, 10-16 x 1 (3 used)

XTL 5000 Series

Mobile Accessories

Microphones

HMN1050D Desk Top Microphone
(For Control Station Operation)

HMN1061A A Palm Mic for use with
W9 Radio

HMN1079A Water Resistant
Palm Microphone

HMN1080A Standard Palm Mic



Speakers

Speaker For Siren and Public Address

TDN6251A Siren Speaker Round with
Chrome Finish

TDN6252A Siren Speaker Rectangular
with Chrome Finish

TDN6253A Siren Speaker Underhood
with Grey Finish

TDN6254A Siren Speaker Round with
Grey Finish



External Speaker

HSN4018B External Speaker



XTL 5000 Series

Mobile Accessories

Miscellaneous Hardware

HLN6372A Key Lock Mount

HLN1224B Auxiliary Switch Panel (W591-W4, W5, W7)

HLN1342A Auxiliary Switch Panel (W591-W9)

Cables

Adapter Cables

HKN6158A Audio Cable Adapter

HKN6159A Adapter Cable Data

HKN4356B Radio Cable, 17 foot

Power Cables

HKN4191B Power supply cable - High power (60 watt)
Power supply cable

HKN4192B 1-45W Power cable 20 foot; 12V

Remote Mount Cables

YKN4261A Front Control Head cable, 10 Foot

YKN4246A Front Control Head cable, 30 Foot

YKN4248A Front Control Head cable, 50 Foot

YKN4249A Front Control Head cable, 75 Foot

YKN4255A Front Control Head cable, 115 Foot

YKN4256A Front Control Head cable, 150 Foot

Control Station Accessories

HPN4001B Power supply and
cable (25-60 watt models)

HLN6042A Control
station tray



Emergency Switch



HLN5113B Emergency Footswitch; Enables user to send an emergency message to a console, where their unit ID can be displayed and an alarm sounded.

HLN6188A Pushbutton External Emergency

XTL 5000 Series

Antennas

Low Profile Antennas

VHF

HAD4006A

136-144MHz 1/4 Wave Roof Mount

HAD5007A

144-152MHz 1/4 Wave Roof Mount

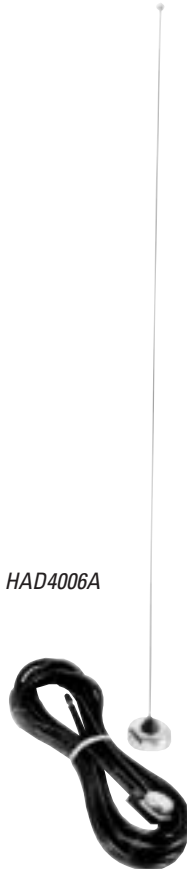
HAD4008A

152-162MHz 1/4 Wave Roof Mount

HAD4009A

162-174MHz 1/4 Wave Roof Mount

HAD4006A



Low Profile Antennas

UHF

HAE6012A

380-420MHz 1/4 Wave Roof Mount

HAE4003A

450-470MHz 1/4 Wave Roof Mount

HAE6010A

380-420MHz 3.5dB Gain Roof Mount

HAE4012A

450-470MHz 3.5dB Gain Roof Mount

HAE6011A

380-420MHz 5.0dB Gain Roof Mount

RAE4014A

450-470MHz 5.0dB Gain Roof Mount

HAE6013A

380-470MHz Wideband

700/800MHz

HAF4013A

762-870MHz 3dB Gain Low Profile

HAF4014A

762-870MHz 3dB Gain Elevated Feed

HAF4015A

762-870MHz 3dB Gain Motorcycle Antenna

HAF4016A

762-870MHz 1/4 Wave Roof Mount

HAF4017A

762-870MHz 3dB Gain Collinear Roof Mount

HAF4018A

762-870MHz Low Profile Motorcycle Antenna



HAE4003A

XTL 5000 Series

**Service Aids,
Manuals**

Service Aids

RVN4186J Radio Service Software

HKN6155A Programming/Flash Cable

0180386A82 Anti-Static Grounding Kit

8180384N71 Chassis Eliminator

1185984D01 Electromagnetic Interference (EMI) Metallic
Shielding Tape

0180320B16 Magnetic Screwdriver Set with Bits

6686119B01 Plastic Scrapping Tool

6680163F01 Removal and Insertion Tool



RSX4043A

RSX4043A Roto Torq Adjustable
Torque Driver

Manuals

6881096C68 User guide XTL 5000 W4 W5 W7

6881096C72 Installation Manual

6881096C73 Basic service manual