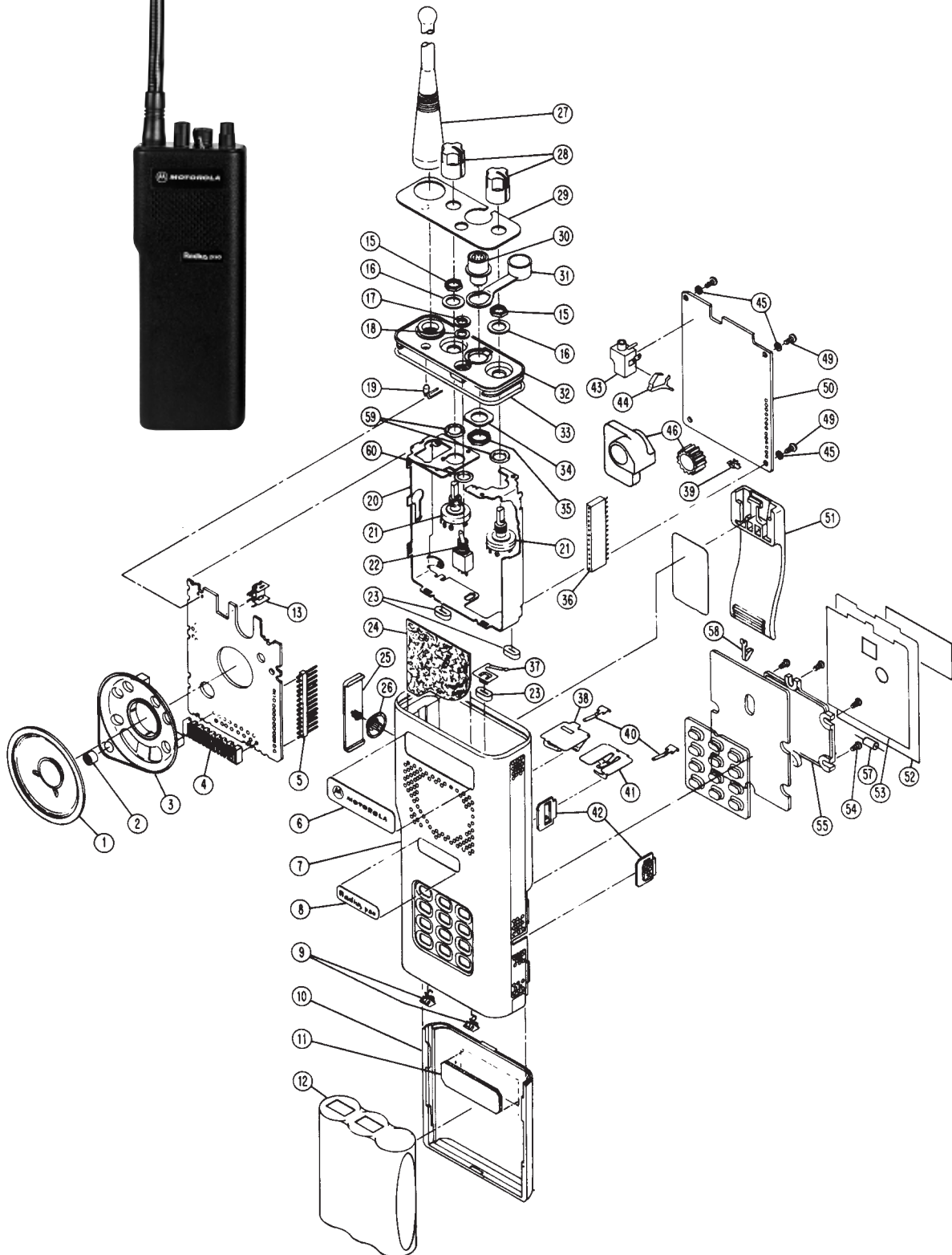


# P50 Series



## Parts List



**Replacement parts may no longer be available**

# P50 Series

## Parts List

REF. NO.	PART NO.	DESCRIPTION
1	<b>0180701Y91</b>	Speaker, 28 ohm
2	<b>5005227J02</b>	Microphone
3	<b>4205344S01</b>	Retainer, Microphone/Speaker
4	<b>0905348T01</b>	Audio/Option Interconnect
5	<b>2805542S01</b>	Plug, 14-Pin
6	<b>1305540S01</b>	Label, Motorola
	<b>1305540S02</b>	Label, Private
7	<b>1505276T01</b>	Housing
8	<b>1305541S01</b>	Label, Radius P50
9	<b>3905354S01</b>	Contact, Charging
10	<b>1505279T01</b>	Cover, Battery
11	<b>1105668K66</b>	Pad, Battery
12	---	Battery Pack; See Service Manual
13	<b>4005286S01</b>	Switch, PTT
15	<b>0205629L02</b>	Nut, Potentiometer
16	<b>0405162Q02</b>	Washer, Potentiometer
17	<b>0205163Q01</b>	Nut, Toggle Switch Spanner
18	<b>0400139507</b>	Washer, Toggle Switch
19	---	LED
20	<b>0705201T03</b>	Frame Housing, Finished
	and	
	<b>1505281T03</b>	Housing, Finished
21	<b>1805509S01</b>	Potentiometer
22	---	Switch, Toggle
23	<b>3205530S01</b>	Seal, Frame
24	<b>3505488S01</b>	Felt, Speaker
25	<b>4505283T01</b>	Lever, PTT
26	<b>3805296S01</b>	Actuator, PTT
27	---	Antenna; See Service Manual
28	<b>0105951N79</b>	Knob, Potentiometer

REF. NO.	PART NO.	DESCRIPTION
29	<b>1305489S02</b>	Escutcheon, P50
30	<b>0905336N01</b>	Connector, Accessory (P50 only)
31	<b>3805285T01</b>	Dust Cap (P50 only)
32	<b>1505281T03</b>	Control Top
33	<b>3205082E77</b>	"O" Ring, Control Top
34	<b>0405216L04</b>	Washer, Accessory Connector
35	<b>0205765L03</b>	Nut, Accessory Connector
36	<b>0905539S01</b>	Jack, 14-Pin
37	<b>3905741S01</b>	Contact, B+ PCB
38	<b>3905736S01</b>	Contact, Battery Negative
39	<b>4205474P03</b>	Clip, B+ Transceiver Board
40	<b>3905497S01</b>	Clip, Frame
41	<b>3905740S01</b>	Contact, Battery B+
42	<b>5505284T01</b>	Latch, Battery
43	<b>0905511S02</b>	Jack, RF
44	<b>3905337T01</b>	Contact, Antenna
45	<b>0405683D04</b>	Lockwasher
46	<b>2605642S01</b>	Heatsink
49	<b>0300136782</b>	Screw, Frame
51	<b>HLN9115A</b>	Belt Clip
52	<b>8405690S04</b>	PCB, Battery
53	<b>1105707S07</b>	Adhesive, Battery PCB (Low Power)
	or	
	<b>1105707S06</b>	Adhesive, Battery PCB (High Power)
54	<b>0305073P01</b>	Screw, Option Board
55	<b>3205572T01</b>	Washer, Option Board
57	<b>4880388B70</b>	Diode, Battery PCB
58	<b>3905860S01</b>	Contact, Option Board
59	<b>3205082E01</b>	Seal, Potentiometer
60	<b>3205141Q03</b>	Seal, Toggle Switch

**Cancelled Product P50: Aftermarket support criteria has been met for spare parts. Items may no longer be available.**

## P50 Series

## Portable Accessories

### Chargers

#### Single Unit Chargers

Single unit chargers are best suited for small system users, or users without centralized charging facilities.

**HTN9046DR** Single Unit Charger, Standard Rate, 117V

**HTN9026CR** Single Unit Charger, Rapid Rate, 117V

**HTN9425B** Single Unit Charger, Rapid Rate, 220V, European Plug

**HTN9342A** Single Unit Charger, Standard Rate, 220V, European Plug

**HTN9295B** Multi-Unit Charger Conversion Kit. Provides a convenient means for housing from 1 to 6 single unit battery chargers. Each charger operates independently. Approved for use with HTN9046 and HTN9026 only. **This is not a multi-unit charger.**



HTN9046DR

### Battery Maintenance System<sup>plus</sup> (BMS<sup>plus</sup>)

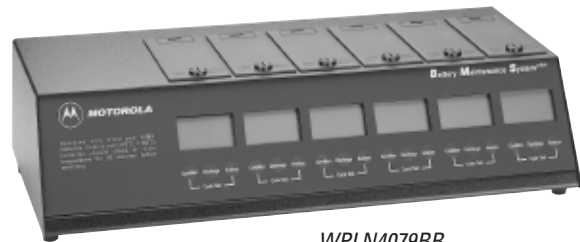
Using interchangeable battery adapters (sold separately), the BMS<sup>plus</sup> is capable of charging and discharging, analyzing, conditioning and cycle test on batteries; tracking battery voltage and capacity (mAh).

The BMS<sup>plus</sup> offers a 3 year warranty. Its easy-to-use design supports hundreds of 2-way, cellular, and camcorder batteries with printer port\* (Serial-RS-232C port – uses female 9-pin to male 25-pin cable).

**WPLN4079BR** Six-Station, 110V AC, 50/60 Hz

**WPLN4080BR** Six-Station, 230V AC, 50/60 Hz

**WPPN4085AR** BMS<sup>plus</sup> field upgrade kit for WPLN4079AR, WPLN4080AR and WPLN4081AR allows these units to support Li-ion battery chemistries



WPLN4079BR

#### BMS<sup>plus</sup> Adapters

**TDN9446A** Standard Adapter, 4 and 5 Watt P50, 630-650 mAh

**TDN9447A** Standard Adapter, 2 Watt P50, 550 mAh

\* Compatible with the STAR Micronics SP200 series printers, available from any STAR Micronics distributor, and other printers with STAR emulation.

## P50 Series

## Portable Accessories

### Battery Optimizing System II (BOS II)



WPLN4124AR

No other battery analyzer matches the speed, accuracy, and versatility of the Battery Optimizing System II. Ideal for large fleet, public safety, and all other users who rely on their battery performance. Now with increased power, more sophisticated programming options, and easier to use navigation paths, optimizing your batteries was never easier. Key features include:

- Support for NiCd, NiMH, Li-ion, and SLA batteries
- 100 watt power supply and programmable from 100 mA to 4 amps per station
- Interchangeable adapters accommodate all major brands
- Includes a variety of user programs and allows for customizable programming
- Proprietary recondition cycle restores NiCd and NiMH batteries
- Increased processing power and testing resolution – including a three minute Quicktest that measures the batteries State of Health (SoH)
- Printer output for reports and labels
- Three year warranty

**WPLN4124AR** BOS II, Four-Station, 100-240V AC (US line cord)

**WPLN4125AR** BOS II, Four-Station, 100-240V AC (UK/Euro line cords)

### **BOS II Adapters**

**RL-71292** Standard Adapter, P50

### Motorola Conditioning Charger (MCC)

The MCC will help extend battery life and enhance battery operation. It will safely condition and charge your specified Nickel Cadmium (NiCd) and Nickel Metal Hydride (NiMH) batteries in approximately an hour.



WPPN4002BR

**WPPN4002BR** 110V AC Base Charge Unit only

**WPPN4006AR** 220V AC Base Charge Unit only

**WPPN4008BR** 7 Volt Adapter only

**WPLN4092BR** MCC Kit, 110V AC; includes both base unit and 7V adapter

**WPLN4093BR** MCC Kit, 220V AC; includes both base unit and 7V adapter

**3080384G15** Cigarette Lighter Adapter Cord

**RLN4814A** Mounting Bracket for single unit conditioning chargers

### **MCC Multi-Unit Conditioning Charger**

**WPPN4065BR** Four-station Base, 110V. (Order adapter plates separately)

# P50 Series

## Portable Accessories

### Carrying Accessories

#### Carrying Cases

A variety of carrying accessories are available for your comfort and convenience. The carrying cases are available in sizes designed to fit your radio & battery and permit audio to be heard clearly.



**HLN9147A** Nylon Carry Case, Low Power

**HLN9148A** Nylon Carry Case, High Power

**HLN9116A** Leather Carry Case with Belt Loop, Low Power

**HLN9146A** Leather Carry Case, High Power

HLN9148A

**HLN9184A** Leather Carry Case, Low Power, DTMF

**HLN9185A** Leather Carry Case, High Power, DTMF



HLN9116A

#### Belt Clip

**HLN9115A** Belt Clip

#### Belt

**4200865599** 1.75" wide leather belt



HLN9115A

### Carrying Accessories

#### Shoulder Strap

**HLN9150A** Shoulder Strap



HLN9150A



HLN9149A

#### Swivel Adapter

**HLN9149AR** Swivel Adapter for Leather Belt Loop Cases



HLN6602A

#### Universal Carry Accessories

**HLN6602A** Universal Chest Pack with Radio Holder, Pen Holder and Velcro Secured Pocket

**1505596202** Replacement Strap for HLN6602

**RLN4815A** Universal RadioPAK™ with Radio Holder. Worn around waist with adjustable belt. Includes attached 6" by 8" zippered pouch for other job necessities

**4280384F89** Universal RadioPAK™ belt lengthener; fits waists larger than 40"

**RLN4570A** Break-A-Way Chest Pack; all of the same features as the original chest pack (HLN6602A) plus break-a-way tabs that allow that allow the entire pack to be pulled off with approximately 10 lbs of pressure.

# P50 Series

## Portable Accessories, Antennas

### Audio Accessories

#### Headsets/Speaker Microphone

**5005125R05** Headset with Boom Microphone (without VOX)

**HMN9083D** Remote Speaker Microphone with Coiled Cord

**NSN6050A** Earpiece without Volume Control



5005125R05

#### Earmolds

**5083851B01** Earmold, Right Ear

**5083851B02** Earmold, Left Ear



RLN4295A

#### Epaulet Strap

Black leather epaulet straps secure remote speaker microphones to epaulet of shirts or jackets and attach around cord. Allows reliable communications in hostile environments with clip style strap.

**RLN4295A** Epaulet Strap, Small Clip

#### Ear Mics

Single unit microphone and speaker worn in the ear. Eliminates the need for handheld microphones or conventional headsets. Compact, rugged design allows use under hearing protectors and protective clothing. Order cable separately.

**0180359A51** Optional PTT Ring Switch for RMN4001B only

**0180356B97** Optional PTT Ring Switch for RMN4001B only



0180359A51

### Portable Antennas

#### Heliflex Antennas

Motorola Heliflex antennas are specifically engineered for maximum output and greatest communication coverage.

**\*NAB6064A**  
Heliflex, 30-50MHz, 12"

**NAD6502AR**  
Heliflex, 146-174MHz, 6"

**HAD9337A**  
Heliflex, 163-175MHz, 5"



NAD6502AR

#### Flexible Whip Antenna

Flexible Whip antennas have a one-piece finish and steel core for optimal radiation characteristics. Provides more comfort when radio is worn on the belt.

**NAE6483AR**  
Flexible Whip, 403-520MHz, 6"



NAE6483AR

\*NAB6064A is an uncut antenna. Cutting instructions and chart supplied with antenna

# P50 Series



## Batteries, Alignment & Service Tools

### Portable Batteries

#### Nickel-Cadmium Premium

Part Number: **HNN9027A**

Volts: 11.25

Avg. mAh: 630

Height: 3-3/8"

Intrinsically Safe: No



HNN9027A

Part Number: **HNN9044AR**

Volts: 7.5

Avg. mAh: 550

Height: 2-3/16"

Intrinsically Safe: No

Part Number: **HNN9233A**

Volts: 7.5

Avg. mAh: 550

Height: 2-3/16"

Intrinsically Safe: Yes

Part Number: **HNN9234A**

Volts: 11.25

Avg. mAh: 550

Height: 3-3/8"

Intrinsically Safe: Yes

Part Number: **HNN9018AR**

Volts: 7.5

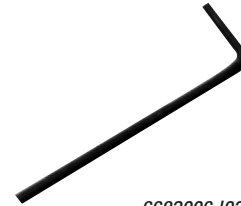
Avg. mAh: 1200

Height: 3-3/8"

Intrinsically Safe: No

### Alignment Tools

**6683006J02** Spline Wrench, for Preselector  
Tuning Slugs



6683006J02

**6605106N01** Alignment Tool, for Coil Tuning



6605106N01

**6680343A15** Thin Blade  
Screwdriver, for RF Power  
Amplifier Alignment



6680343A15

### Service Tools

**RSX4043A** Adjustable  
Torque Screwdriver  
(Order Bits Separately)



**6680371B03** Hex  
Socket Bit, for Volume  
and Squelch Nuts

RSX4043A

**6680370B95** Spanner  
Bit, for Frequency  
Toggle Switch

**6680334B38** 1" Adapter Extension Bit, Required for 6680388A58,  
and 6605853S01

# P50 Series

## Service Tools, Aids, Manuals

### Service Tools

#### Programming Software For P50+

Utilizing your personal computer, this software enables you to add/or reprogram frequencies as your requirements change. Compatible with IBM XT, AT Model 30, 50, 60, and 80. Requires Radio Interface Box and proper cables, order separately.

**RVN4134B** Programming Software (includes manual and storage box)

### Service Aids

#### RF Adapter Cable

Connect radio RF directly to test equipment.

**RKN4000A** RF Adapter Cable  
Terminated with BNC Female,  
Opposite End Fits Antenna on Radio



RKN4000A

#### Radio Interface Box

Links radio programming cable and computer interface together. Provides required voltage shift to enable communications between radio and computer.

**RLN4008E** Radio Interface Box



RLN4008E

### Service Aids

#### Wall Mounted Power Supply

Used to supply power to radio interface box , RLN4008E

**0180357A57** Wall Mounted Power Supply, 110 Volts

**0180358A56** Wall Mounted Power Supply, 220 Volts

#### Programming Cable

Connects radio interface box to radio for programming.

**0180358A62** Programming Cable

#### Computer Interface Cable

Used to connect computers serial adapter to Radio Interface Box.

**3080369B71** Cable, RIB to  
25 pin D

**3080369B72** Cable, RIB to  
9 pin D



3080369B71

### Manuals

**6881068C60**

Instruction Manual, 150.8-162 MHz High  
Band/VHF and 450-470 UHF/450



Over 7 million customers have made MyRadioMall.com America's #1 choice when it comes to dependable and reliable Motorola Communications at fantastic prices.

We are now celebrating our 12th year of online service and the best is yet to come.



Advanced Radio Systems, Inc  
8726 NW 26 Street #6  
Miami, Florida 33172  
Voice Numbers: 305-884-1795  
Toll Free: 1-866-900-Mall (6255)  
Fax Number: 305-884-1985

12/25/2006