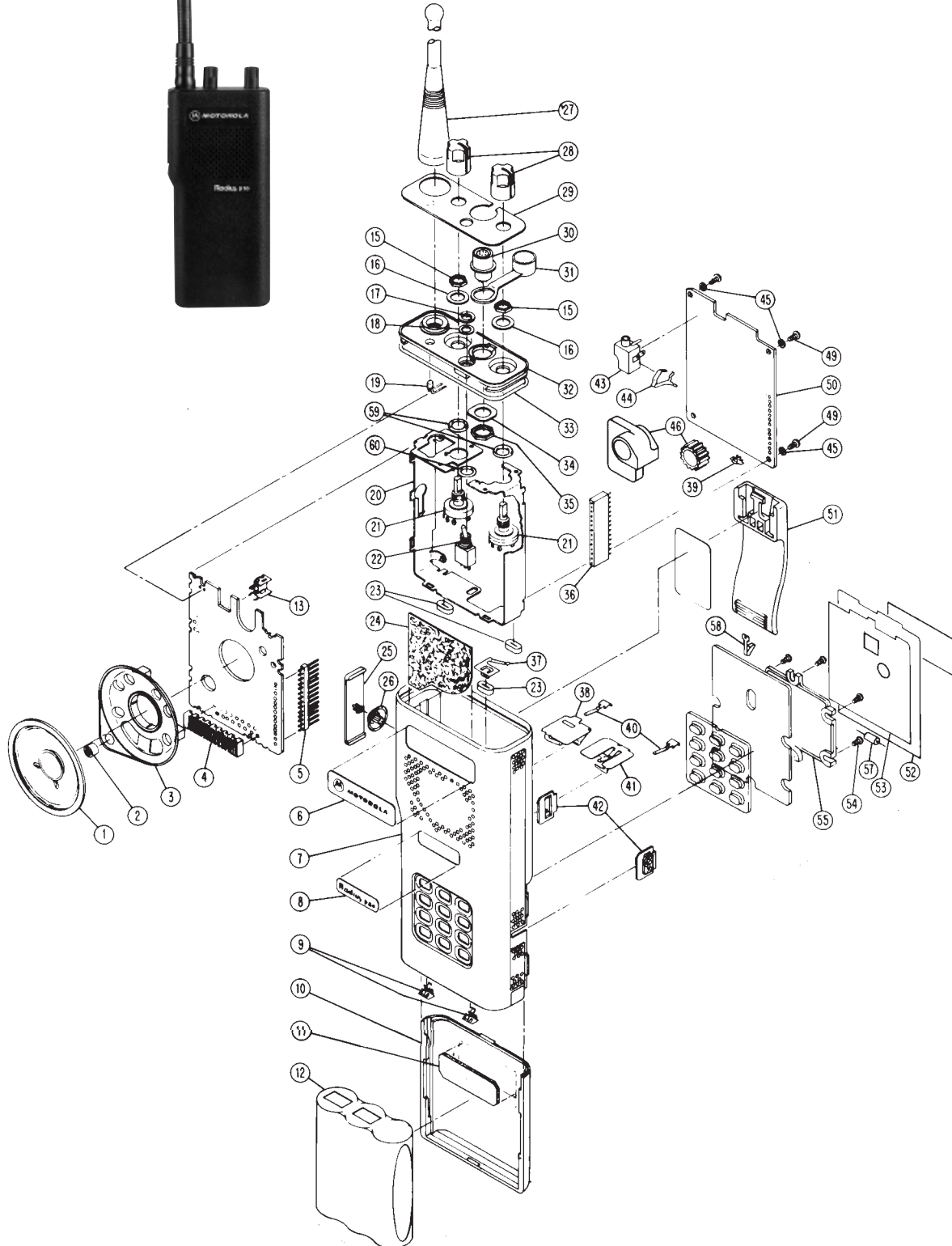


P10 Series



Parts List



Replacement parts may no longer be available

P10 Series

Parts List

REF. NO.	PART NO.	DESCRIPTION	REF. NO.	PART NO.	DESCRIPTION
1	0180701Y91	Speaker, 28 ohm	29	1305489S01	Escutcheon, P10
2	5005227J02	Microphone	32	1505281T03	Control Top
3	4205344S01	Retainer, Microphone/Speaker	33	3205082E77	"O" Ring, Control Top
4	0905348T01	Audio/Option Interconnect	34	0405216L04	Washer, Accessory Connector
5	2805542S01	Plug, 14-Pin	35	0205765L03	Nut, Accessory Connector
6	1305540S01	Label, Motorola	36	0905539S01	Jack, 14-Pin
	1305540S02	Label, Private	37	3905741S01	Contact, B+ PCB
7	1505276T01	Housing, Low Power	38	3905736S01	Contact, Battery; Negative
8	1305541S02	Label, Radius P10	39	4205474P03	Clip, B+ Transceiver Board
9	3905354S01	Contact, Charging	40	3905497S01	Clip, Frame
10	1505279T01	Cover, Battery	41	3905740S01	Contact, Battery B+
11	1105668K66	Pad, Battery	42	5505284T01	Latch, Battery
12	HNN9044AR	Battery Pack, Six Cell	43	0905511S02	Jack, RF
13	4005286S01	Switch, PTT	44	3905337T01	Contact, Antenna
15	0205629L02	Nut, Potentiometer	45	0405683D04	Lockwasher
16	0405162Q02	Washer, Potentiometer	46	2605642S01	Heatsink
17	0205163Q01	Nut, Toggle Switch Spanner	49	0300136782	Screw, Frame
18	0400139507	Washer, Toggle Switch	51	HLN9115A	Belt Clip
19	---	LED	52	8405690S04	PCB, Battery
21	1805509S01	Potentiometer	53	1105707S07	Adhesive, Battery PCB
22	---	Switch, Toggle – notavailable	54	0305073P01	Screw, Option Board
23	3205530S01	Seal, Frame	55	3205572T01	Washer, Option Board
24	3505488S01	Felt, Speaker	57	4880388B70	Diode, Battery PCB
25	4505283T01	Lever, PTT	58	3905860S01	Contact, Option Board
26	3805296S01	Actuator, PTT	59	3205082E01	Seal, Potentiometer
27	NAE6483AR	Antenna, UHF	60	3205141Q03	Seal, Toggle Switch
28	0105951N79	Knob, Potentiometer			

Cancelled Product P10: Aftermarket support criteria has been met for spare parts. Items may no longer be available.

P10 Series

Portable Accessories

Chargers

Single Unit Chargers

Single unit Chargers are best suited for small system users, or users without centralized charging facilities.



HTN9046DR

HTN9046DR Single Unit Charger, Standard Rate, 117V

HTN9026CR Single Unit Charger, Rapid Rate, 117V

HTN9342A Single Unit Charger, Standard Rate, 220V, European Plug

HTN9425B Single Unit Charger, Rapid Rate, 220V European Plug



HTN9295B

HTN9295B Multi-Unit charger Conversion Kit. Provides a convenient means for housing from 1 to 6 single unit battery chargers. Each charger operates independently. Approved for use with HTN9046 and HTN9026 only. This is not a multi-unit charger.

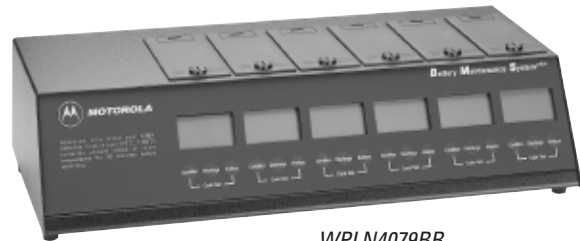
Battery Maintenance System^{plus} (BMS^{plus})

Using interchangeable battery adapters (sold separately), the BMS^{plus} is capable of charging and discharging, analyzing, conditioning and cycle test on batteries; tracking battery voltage and capacity (mAh).

The BMS^{plus} offers a 3 year warranty. Its easy-to-use design supports hundreds of 2-way, cellular, and camcorder batteries with printer port* (Serial-RS-232C port – uses female 9-pin to male 25-pin cable).

WPLN4079BR Six-Station, 110V AC, 50/60 Hz

WPLN4080BR Six-Station, 230V AC, 50/60 Hz



WPLN4079BR

BMS^{plus} Adapters

TDN9446A Standard Adapter, 4 and 5 Watt P10, 630-650 mAh

TDN9447A Standard Adapter, 2 Watt P10, 550 mAh

*Compatible with the STAR Micronics SP200 series printers, available from any STAR Micronics distributor, and other printers with STAR emulation.

P10 Series

Portable Accessories

Battery Optimizing System II (BOS II)



WPLN4124AR

No other battery analyzer matches the speed, accuracy, and versatility of the Battery Optimizing System II. Ideal for large fleet, public safety, and all other users who rely on their battery performance. Now with increased power, more sophisticated programming options, and easier to use navigation paths, optimizing your batteries was never easier. Key features include:

- Support for NiCd, NiMH, Li-ion, and SLA batteries
- 100 watt power supply and programmable from 100 mA to 4 amps per station
- Interchangeable adapters accommodate all major brands
- Includes a variety of user programs and allows for customizable programming
- Proprietary recondition cycle restores NiCd and NiMH batteries
- Increased processing power and testing resolution – including a three minute Quicktest that measures the batteries State of Health (SoH)
- Printer output for reports and labels
- Three year warranty

WPLN4124AR BOS II, Four-Station, 100-240V AC (US line cord)

WPLN4125AR BOS II, Four-Station, 100-240V AC (UK/Euro line cords)

BOS II Adapter

RL-71292 Standard Adapter, P10

Motorola Conditioning Charger (MCC)

The MCC will help extend battery life and enhance battery operation. It will safely condition and charge your specified Nickel Cadmium (NiCd) and Nickel Metal Hydride (NiMH) cellular batteries in approximately an hour.



WPPN4002BR

WPPN4002BR 110V AC Base Charge Unit only

WPPN4006AR 220V AC Base Charge Unit only

WPPN4008BR 7 Volt Adapter only

WPLN4092BR MCC Kit, 110V AC; includes both base unit and 7V adapter

WPLN4093BR MCC Kit, 220V AC; includes both base unit and 7V adapter

3080384G15 Cigarette Lighter Adapter Cord

RLN4814A Mounting Bracket for single unit conditioning charger

MCC Multi-Unit Conditioning Charger

WPPN4065BR Four-station Base, 110V. (Order adapter plates separately)



WPPN4065BR

P10 Series

Portable Accessories

Carrying Accessories

Carrying Cases

A variety of carrying accessories are available for your comfort and convenience. The carrying cases are available in sizes designed to fit your radio & battery and permit audio to be heard clearly.



HLN9147A

HLN9147A Nylon Carry Case, Low Power

HLN9148A Nylon Carry Case, High Power

HLN9116A Leather Carry Case with Belt Loop, Low Power

HLN9146A Leather Carry Case with Belt Loop, High Power

Belt Clip

HLN9115A Belt Clip



HLN9115A

Belt

4200865599 1.75" wide leather belt

Carrying Accessories

Shoulder Strap

HLN9150A Shoulder Strap



HLN9150A

Swivel Adapter

HLN9149AR Swivel Adapter for Leather Belt Loop Cases



HLN9149AR

Universal Carry Accessories

HLN6602A Universal Chest Pack with Radio Holder, Pen Holder and Velcro Secured Pocket

1505596Z02 Replacement Strap for HLN6602



HLN6602A

RLN4815A Universal RadioPAK™ with Radio Holder. Worn around waist with adjustable belt. Includes attached 6" by 8" zippered pouch for other job necessities

4280384F89 Universal RadioPAK™ belt lengthener; fits waists larger than 40"

RLN4570A Break-A-Way Chest Pack; all of the same features as the original chest pack (HLN6602A) plus break-a-way tabs that allow that allow the entire pack to be pulled off with approximately 10 lbs of pressure.

P10 Series

Portable Accessories, Antennas

Audio Accessories



RLN4295A

Epaulet Strap

Black leather epaulet straps secure remote speaker microphones to epaulet of shirts or jackets and attach around cord. Allows reliable communications in hostile environments with clip style strap.

RLN4295A Epaulet Strap, Small Clip

HMN9083D Remote Speaker Microphone with Coiled Cord

Portable Antennas

Heliflex Antennas

Motorola Heliflex antennas are specifically engineered for maximum output and greatest communication coverage.

NAD6502AR

Heliflex, 146-174MHz, 6"



NAD6502AR

HAD9337A

Heliflex, 163-175MHz, 5"

8505816K24

Heliflex, 403-430MHz, 3"

8505816K25

Heliflex, 440-470MHz, 3"



8505816K26

8505816K26

Heliflex, 470-512MHz, 3"

Flexible Whip Antenna

Flexible Whip antennas have a one-piece finish and steel core for optimal radiation characteristics. Provides more comfort when radio is worn on the belt.

NAE6483AR

Flexible Whip, 403-520MHz, 6"



NAE6483AR

P10 Series

Batteries, Service Tools

Portable Batteries

Nickel-Cadmium Premium

Part Number: **HNN9027A**

Volts: 11.25

Avg. mAh: 630

Height: 3-3/8"

Intrinsically Safe: No



HNN9027A

Part Number: **HNN9044AR**

Volts: 7.5

Avg. mAh: 550

Height: 2-3/16"

Intrinsically Safe: No



HNN9044AR

Part Number: **HNN9233A**

Volts: 7.5

Avg. mAh: 550

Height: 2-3/16"

Intrinsically Safe: Yes

Part Number: **HNN9234A**

Volts: 11.25

Avg. mAh: 550

Height: 3-3/8"

Intrinsically Safe: Yes

Service Tools

Tuning Tools

6683006J02 Spline Wrench, for
Preselector Tuning Slugs

6680343A15 Thin Blade Screwdriver, for
RF Power Amplifier Alignment



6683006J02

Torque Screwdriver



RSX4043A

RSX4043A Adjustable Torque
Screwdriver, Order Bits Separately

6680371B03 Hex Socket Bit, for
Volume and Squelch Nuts

6680370B95 Spanner Bit, for
Frequency Toggle Switch

6680334B38 1" Adapter
Extension, Required for
6680388A58, and 6605853S01

P10 Series

Service Aids, Manuals

Service Aids

RF Adaptor Cable

RF Adapter Cable connects radio RF directly to test equipment.

RKN4000A RF Adapter Cable Terminated with BNC Female,
Opposite End Fits Antenna Ferrule on Radio.

Manuals

6881068C60

Instruction Manual, 150.8-162 MHz High
Band/VHF and 450-470 UHF/450

Over 7 million customers have made MyRadioMall.com America's #1 choice when it comes to dependable and reliable Motorola Communications at fantastic prices.

We are now celebrating our 12th year of online service and the best is yet to come.



Advanced Radio Systems, Inc
8726 NW 26 Street #6
Miami, Florida 33172
Voice Numbers: 305-884-1795
Toll Free: 1-866-900-Mall (6255)
Fax Number: 305-884-1985

12/25/2006