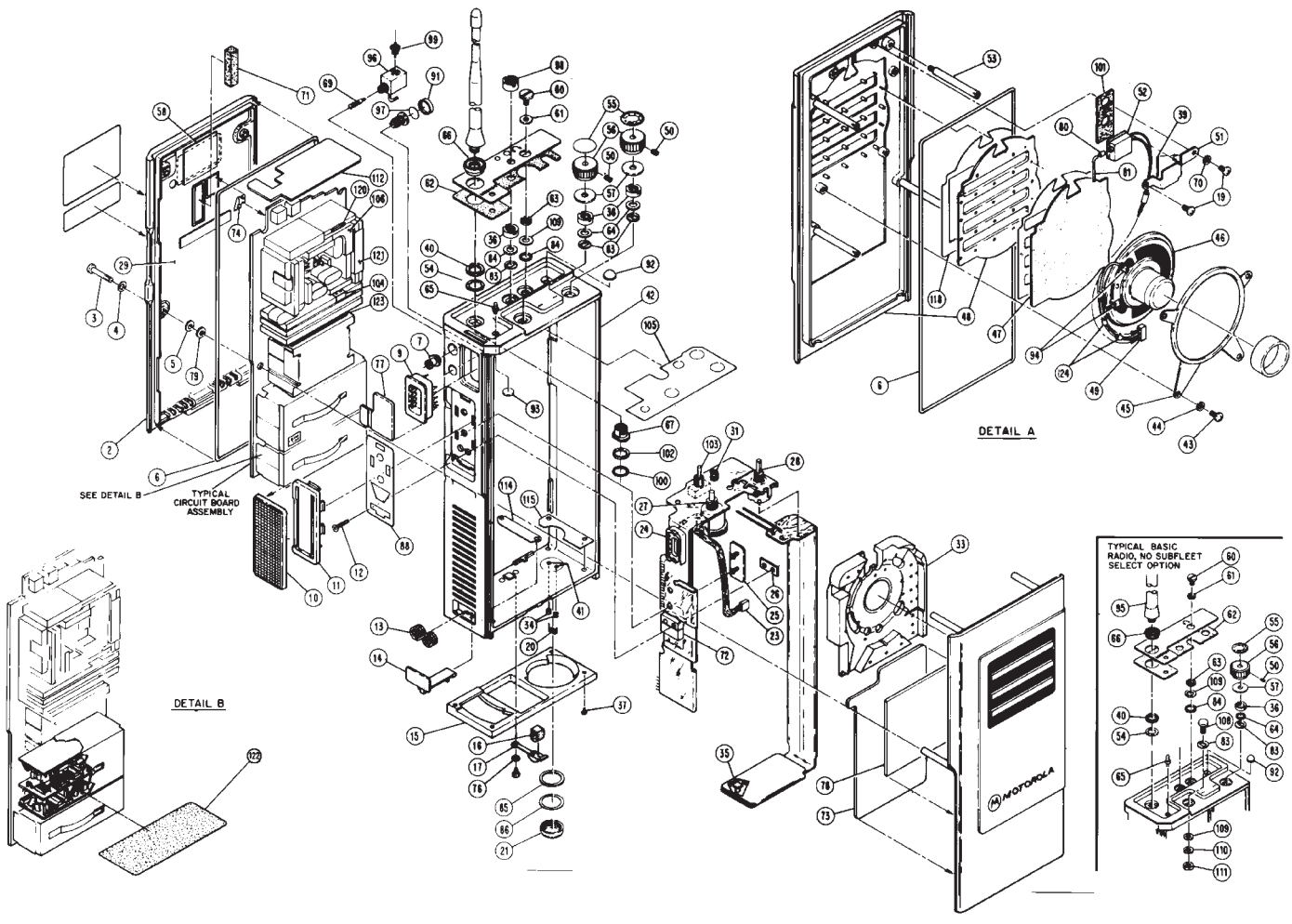


MX300-T Series

Parts List



Replacement parts are no longer available

MX300-T Series*Parts List*

REF.
NO. PART NO. DESCRIPTION

REF.
NO. PART NO. DESCRIPTION

***Cancelled Product MX300-T:
Aftermarket support criteria has
been met for spare parts. Items
are no longer available.***

MX300-T Series

Portable Accessories

Chargers

Single Unit Chargers

When the battery is fully charged, the charger automatically resets to a trickle charge rate. Rapid charge batteries must be charged in the rapid charge rate.

NLN8858A Single Unit,
1 Hour, Rapid Charger,
117 Volts

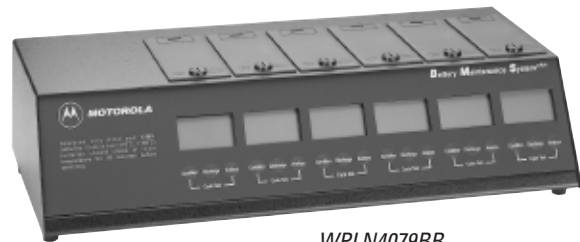


NLN8858A

Battery Maintenance System^{plus} (BMS^{plus})

Using interchangeable battery adapters (sold separately), the BMS^{plus} is capable of charging and discharging, analyzing, conditioning and cycle test on batteries; tracking battery voltage and capacity (mAh).

The BMS^{plus} offers a 3 year warranty. Its easy-to-use design supports hundreds of 2-way, cellular, and camcorder batteries with printer port* (Serial-RS-232C port – uses female 9-pin to male 25-pin cable).



WPLN4079BR

WPLN4079BR Six-Station, 110V AC, 50/60 Hz

WPLN4080BR Six-Station, 230V AC, 50/60 Hz

NDN4005B Three-Station, 110V AC, 50/60 Hz

NDN4006B Three-Station, 230V AC, 50/60 Hz

BMS^{plus} Adapter

TDN9445A Standard Adapter, MX300

Optional Adapters

****TDN9432A** Adapter, Universal Alligator Clip Lead

****TDN9527A** Adapter, Universal Dip Switch

*Compatible with the STAR Micronics SP200 series printers, available from any STAR Micronics distributor, and other printers with STAR emulation.

**Universal adapters available as an option to accommodate all radio types.

MX300-T Series

Portable Accessories

Battery Optimizing System II (BOS II)



WPLN4124AR

No other battery analyzer matches the speed, accuracy, and versatility of the Battery Optimizing System II. Ideal for large fleet, public safety, and all other users who rely on their battery performance. Now with increased power, more sophisticated programming options, and easier to use navigation paths, optimizing your batteries was never easier. Key features include:

- Support for NiCd, NiMH, Li-ion, and SLA batteries
- 100 watt power supply and programmable from 100 mA to 4 amps per station
- Interchangeable adapters accommodate all major brands
- Includes a variety of user programs and allows for customizable programming
- Proprietary recondition cycle restores NiCd and NiMH batteries
- Increased processing power and testing resolution – including a three minute Quicktest that measures the batteries State of Health (SoH)
- Printer output for reports and labels
- Three year warranty

WPLN4124AR BOS II, Four-Station, 100-240V AC (US line cord)

WPLN4125AR BOS II, Four-Station, 100-240V AC (UK/Euro line cords)

BOS II Adapters

RL-71181 Standard Adapter, MX300-T, 500-700 mAh

RL-71182 Standard Adapter, MX300-T, 1100-1400 mAh

RL-71183 Standard Adapter, MX300-T, 2000-2800 mAh

Optional Adapters

RL-70115 Adapter, Universal; services Li-ion

RL-70110 Adapter, Universal; service NiCd and NiMH

Audio Accessories

Headsets

The noise cancelling type headsets all but eliminate outside interference in high noise environments. The earpiece headset rests lightly, but firmly on the ear and eliminates need for a headband.



NMN6065A

NMN6065A Noise Cancelling Headset Microphone with Cup Microphone (requires cable adapter)

NMN6064A Noise Cancelling Headset Microphone with Boom Microphone (requires cable adapter)



NMN6064A

NKN6207A Cable Adapter

MX300-T Series

Portable Accessories

Audio Accessories

5005178K01 Earpiece without volume control

Remote Speaker/Microphone



NMN6070B

Remote speaker/microphone allows user to talk and listen without removing radio from belt or carrying case. Ideal in high noise level areas. Straight and coil cord remote units have back clip for attachment to upper garment. Wired earpiece available for all models.

NMN6070B Remote Speaker Microphone Straight Cord with Clip Back

NMN6071B Remote Speaker Microphone Coil Cord with Clip Back



NMN6071B



RLN4294A



RLN4295A

Epaulet Strap

Black leather epaulet straps secure remote speaker microphones to epaulet of shirts or jackets and attach around cord.

RLN4294A Epaulet Strap, Velcro

RLN4295A Epaulet Strap, Small Clip

Carrying Accessories

Carrying Cases

Standard black leather carrying cases with snap-on/off perforated full covers provide protection, yet permit clear audio. Swivel carrying cases attach to belt loop attachment by inverting radio. Radio swings freely on belt loop attachment, adjusting to body movements.



1505333D07



1505333D10

Standard

1505333D07 Carrying Case with Belt Loop for Light and Medium Battery Capacity

1505333D10 Carrying Case with Belt Loop for High and Ultra High Battery Capacity

Carry Holders

NLN8861B Radio Holder, Belt Loop

NLN8862B Radio Holder, Swivel, MX360 Series. Belt loop not included.



NLN8862B

MX300-T Series

Accessories,
Antennas, Batteries,
Service Tools & Aids

Carrying Accessories

Cover

1505332D01 Carrying Case Cover



1505332D01

T-Strap

4205360D01 Carrying Case Strap



4205360D01

Carrying Strap

NTN5243A 60" Carrying Strap, Requires Leather Carrying Case



NTN5243A

Belt

4200865599 1-3/4" Wide Leather Belt, For All Models

4205857B01 2" Spare Belt Loop, For Swivel Cases

Portable Antennas

Heliflex

Antenna is tested and tuned to give maximum power and performance.

NAF4000B 806-870 MHz, Molded



NAF4000B

Portable Batteries

Nickel-Cadmium Premium

Part Number: **NLN5860D**

Volts: 7.5

Avg. mAh: 1400

Height: 3-2/16"

Intrinsically Safe: Yes

Service Tools

Alignment Tools

6682186E01 Tuning Tool



6682186E01



6605168F01

6605168F01 Wrench, Antenna Bushing Nut and Fuse Cap (800 Mhz only)

Service Aids

Radio Test Cable

Used with RTX4005 portable test set for transmitter, receiver alignment and performance checks.

RTK4021A Test Cable



RTK4021A



SKN6028A

RF Adapter Cable

SKN6028A RF Adapter Cable, connects to radio jack, other end terminated with type BNC male

Over 7 million customers have made MyRadioMall.com America's #1 choice when it comes to dependable and reliable Motorola Communications at fantastic prices.

We are now celebrating our 12th year of online service and the best is yet to come.



Advanced Radio Systems, Inc
8726 NW 26 Street #6
Miami, Florida 33172
Voice Numbers: 305-884-1795
Toll Free: 1-866-900-Mall (6255)
Fax Number: 305-884-1985

12/25/2006