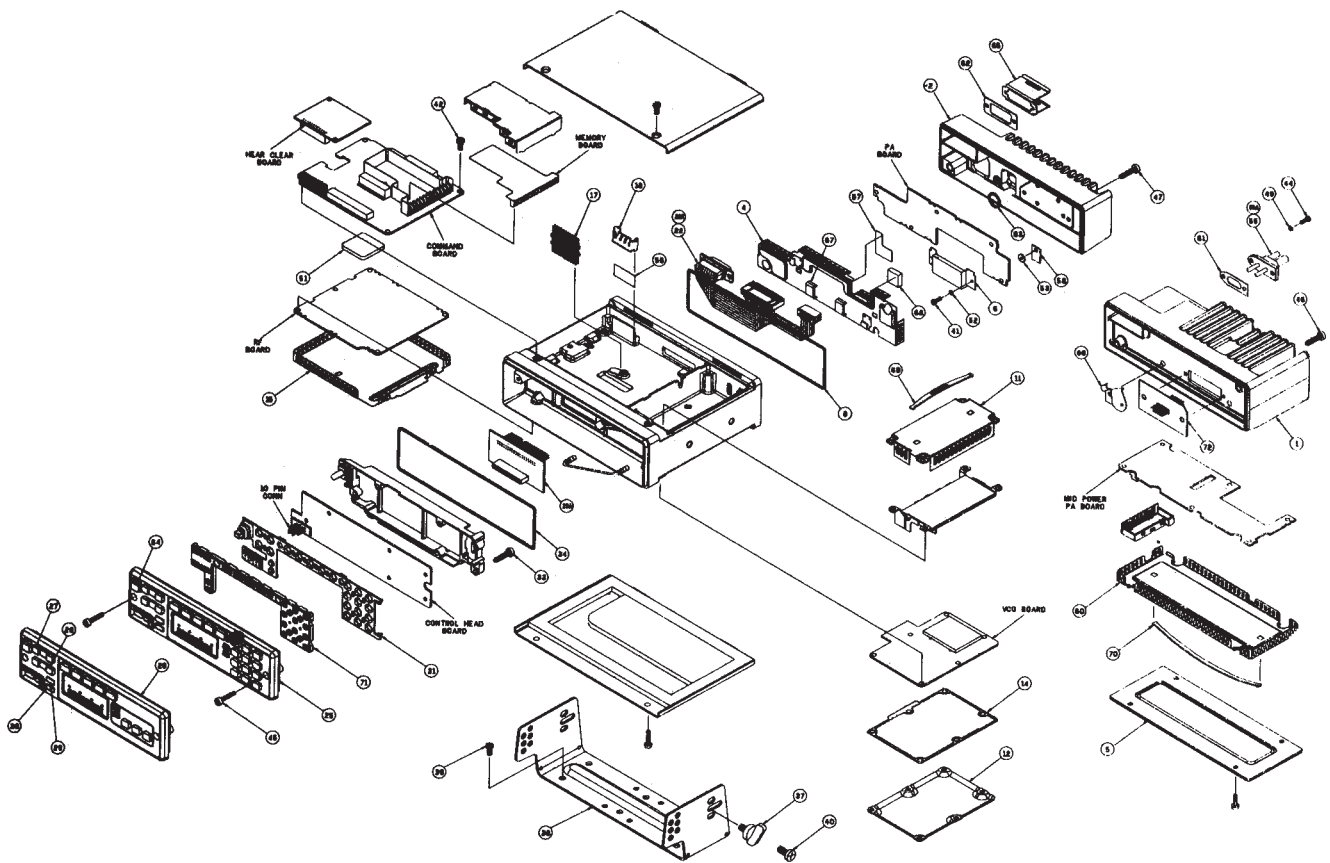


# SPECTRA Series

## Parts List



## SPECTRA Series

## Parts List

REF. NO.	PART NO.	DESCRIPTION
1	<b>2680010M02</b>	Heatsink, 30-watt
2	<b>2680009M03</b>	Heatsink, 12-watt
3	<b>2680105N01</b>	Shield, 30-watt PA board
4	<b>2680011M01</b>	Shield, 12-watt PA board
5	<b>1580048N01</b>	Cover, 30-watt PA
6	---	Shield, power module
8	---	Gasket, heatsink
11	<b>1580098L01</b>	Shield, receiver front end
12	<b>1580097L01</b>	Cover, VCO board
14	<b>3280247N01</b>	Gasket, VCO
15	<b>1580099L01</b>	Shield, RF board
17	<b>2880260M01</b>	Header, floating
18	<b>4280007M01</b>	Clip, regulator
22	<b>3080239N02</b>	Cable, PA ribbon
25	<b>0180016R09</b>	Housing, front cover, with keypad
26	<b>1580010P02</b>	Housing, front cover, without keypad
27	<b>3805670X04</b>	Pushbutton Rocker, "MODE"
28	<b>3805670X03</b>	Pushbutton Rocker, "VOLUME"
29	<b>3880092J01</b>	Key, "DIM"
30	<b>3880092J02</b>	Key, "HOME"
31	<b>7580189L03</b>	Keypad
33	<b>0310945A14</b>	Screw, tapping; 6 used
34	<b>3280289L02</b>	Gasket, housing
37	<b>0384244C06</b>	Screw, machine, wing (5.0 x 0.8 x 10)
38	<b>0780086N02</b>	Trunnion, mounting
39	<b>0300136756</b>	Screw, tapping, instl hrdwr (10-16 x 5/8) (6)

REF. NO.	PART NO.	DESCRIPTION
40	<b>0310908B08</b>	Screw, machine, instl hrdwr (5.0 x 0.8 x 10) (4)
41	<b>0310911A11</b>	Screw, machine (3.0 x 0.5 x 8.0); 12W-3 , 30W-5 used
42	---	Screw, tapping (3.5 x 0.6 x 8.0) (board mtg)
44	<b>0380043L01</b>	Screw, metric (3.0 x 10); 44 used
45	<b>0380077M01</b>	Screw, control head mount; 2 used
46	<b>0380077M02</b>	Screw, hex socket (30-watt); 2 used
47	<b>0380077M03</b>	Screw, hex socket (12-watt); 2 used
48	---	Screw (3.5 x 0.6 x 46)
49	<b>0400131974</b>	Washer, flat (.130 x .312 x .030); 2 used
50	<b>0480017F01</b>	Washer, pivot; 2 used
51	<b>7582200H01</b>	Pad; 3 used
52	---	Washer, compression; 3 used
53	<b>0484180C01</b>	Washer, shoulder
55	<b>0980272N02</b>	Connector, POW
56	---	Insulator, regulator
58	---	Insulator, alumina
60	<b>2680186M01</b>	Shield, 30-watt PA
61	<b>3280015M01</b>	Gasket, power connector
62	<b>3280088M01</b>	Gasket, accessory connector
64	<b>3880227M04</b>	Cap. On/Off Switch
65	<b>4280016M03</b>	Clip, accessory connector
67	<b>4280265M02</b>	Clip, coax, 12-watt PA; 2 used
69	<b>5584300B01</b>	Handle; 8 used
70	<b>5584300B04</b>	Handle
71	<b>6180017S01</b>	Lightpipe
72	<b>6480108R01</b>	Assembly, PA feedthrough, 30-watt

## SPECTRA Series

## Mobile Accessories

### Microphones



**HMN1080A** Standard Palm Microphone

**HMN1053B** DTMF Microphone (not compatible w/astro digital spectra)

**5084898K10** Noise Cancelling Microphone

**HMN1061A** Palm Microphone for use with astro digital spectra W9 radio

**HMN1050D** Desk Top Microphone (for control station operation)

**HLN1220B** Handset with Hang Up Box

**HMN1079A** Water Resistant Palm Microphone



HLN1220B

### Sirens

**H1500A** Siren/Public Address (steady tone operates via button on control head)

**H1336A** Siren/Public Address, provides hi-lo, yelp, and airhorn tones controlled through supplemental housing

**H1337A** Public Address Only

### Speakers

#### Speaker for Siren and Public Address



TDN6253A

**TDN6251A** Siren Speaker Round with Chrome Finish

**TDN6252A** Siren Speaker Rectangular with Chrome Finish

**TDN6253A** Siren Speaker Underhood with Grey Finish

**TDN6254A** Siren Speaker Round with Grey Finish



TDN6254A

### Speakers



HSN4018B

#### External Speaker

Provides Audio for High Ambient Noise Environments

**HSN4018B** External Speaker

### Control Station Accessories

**HPN4001B** Control Station Power Supply

**HKN4139A** Power Cable

**HLN6042A** Control Station Tray

**HMN1050D** Desktop Microphone



HPN4001B



HMN1050D

### Emergency Switch

Enables user to send an emergency message to a console, where their unit ID can be displayed and an alarm sounded.

**HLN5131C** External Emergency Button

**HLN5113B** Emergency Footswitch



HLN5113B

## SPECTRA Series

## Accessories, Antennas

### Mounting Hardware

#### Quick Release Side Mount

**RLN4074A** Quick Release Side Mount Kit, includes radio mount, vehicle mount, and mounting hardware



RLN4074A

#### Quick Release Side Mount Accessories

**RLN4075A** Radio Mount with Hardware

**RLN4076A** Vehicle Mount with Hardware

**RLN4077A** Angle Bracket with 20° Fixed Angle and 50° Swivel

**RLN4078A** Flat Bracket with 50° Swivel



HLN6025A

#### Miscellaneous Hardware

**HLN6025A** Key Lock Mount

**HLN6008A** Remote Mount Kit, with 17 Foot Cable

### Antennas

#### 800 MHz

**HAF4002A** 1/4 Wave, roof top (806-900 MHz)

**RRA4983A** 3dB, roof top (806-900 MHz)

#### 900 MHz

**RRA4935A** 3dB, roof top w/14 ft. cable (890-960 MHz)

**RAF4003ARM** 3dB, roof top w/22 ft. cable (890-960 MHz)

#### VHF

**HAD4006A** 1/4 Wave, roof top (136-144 MHz)

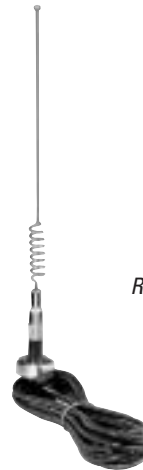
**HAD4007A** 1/4 Wave, roof top (144-152 MHz)

**HAD4008A** 1/4 Wave, roof top (150.8-162 MHz)

**HAD4009A** 1/4 Wave, roof top (162-174 MHz)

**RAD4010ARB** 3dB, roof top (136-174 MHz)

### Antennas



RRA4935A



HAE4003A

#### UHF

**HAE4002A** 1/4 Wave, roof top (403-430 MHz)

**HAE4003A** 1/4 Wave, roof top (450-470 MHz)

**HAE4004A** 1/4 Wave, roof top (470-512 MHz)

**HAE4010A** 3.5dB, roof top (406-420 MHz)

**HAE4011A** 3.5dB, roof top (450-470 MHz)

**HAE4012A** 3.5dB, roof top (470-495 MHz)

**HAE4013A** 3.5dB, roof top (494-512 MHz)

## SPECTRA Series

## Service Tools, Aids

### Battery Cable Adapter

**6680388A13** Side Mount Battery  
Cable Adapter



### Service Tools



#### Torque Screwdriver

Measures the amount of torque being applied. Recommended for precise radio assembly. Bits must be ordered separately.

**RSX4043A** Adjustable Torque  
Screwdriver

- 6680387A70** T-6 Torx Bit
- 6680387A72** T-8 Torx Bit
- 6680387A74** T-10 Torx Bit
- 6680387A75** T-15 Torx Bit
- 6680387A77** T-25 Torx Bit



#### Magnetic Screwdriver

**0180320B16** Magnetic Screwdriver Set with Bits



#### Insertion and Extraction Tool

Installs and/or removes wires from  
accessory connector.

**6680163F01** Insertion and Extraction  
Tool

#### Hex L-Shaped Key Set

Recommended for front panel and PA removal/installation. 10 piece  
set from 1.27mm to 6mm.

**0180370B87** Metric Hex L-Shaped Key Set

### Service Tools

#### Crimping Tool

For custom installations  
requiring crimping of Mini-  
UHF RF connector

**6680388A26** Crimping Tool



### Service Aids

#### Programming Software

Utilizing your personal computer, the software enables you to add or  
reprogram frequencies as your requirements change. Compatible  
with IBM XT, AT, Model 30, 50, 60 and 80. Requires Radio Interface  
Box and appropriate cables; must be ordered separately.

##### Conventional

**RVN4001N** Programming Software, 3-1/2" Diskette (includes binder  
and manual)

##### Railroad

**RVN4099B** Programming Software, 3-1/2" Diskette (includes binder  
and manual)

#### Radio Interface Box

Links radio programming cable and  
computer interface together. Provides  
required voltage shift to enable  
communications between radio and  
computer. Requires computer interface cable, radio programming  
cable, and a 9 volt snap type battery (6082728J01) or wall mount  
power supply. Order separately.

**RLN4008E** Radio Interface Box



## SPECTRA Series

## Service Aids, Manuals

### Service Aids



0180357A57

#### Wall Mounted Power Supply

Used to supply power to Radio Interface Box.

**0180357A57** Wall Mounted Power Supply (110 volts)

**0180358A56** Wall Mounted Power Supply(220 volts)

#### RF Service Cables

**3080373B25** RF Injection Board Output Cable. Connects to the RX injection output of the VCO assembly for testing RF injection level

**3080373B26** BNC (M) to SMB (M) Cable

**3080373B41** BNC (F) to Taiko-Denki (M) Cable

**3080373B27** BNC (M) to Taiko-Denki (F) Adapter

**TKN8531C** Key-Variable Loader Cable

**5880384G68** SMA to BNC Adapter

**5880367B21** Mini-UHF Male to 'N' Female Adapter

### Service Aids

#### Computer Interface Cable

Used to connect computer's serial port to Radio Interface Box.

**3080369B71** Computer Interface Cable, RIB to 25 pin D

**3080369B72** Computer Interface Cable, RIB to 9 pin D

#### Programming Cable

Required to program radio, acts as a link between RIB box and Radio.

**3080369B73** Programming Cable

### Service Manuals

**6881076C20** Astro Digital SPECTRA Basic Service Manual, VHF, UHF, 800 MHz

**6881076C25** Astro Digital SPECTRA Detailed Service Manual, VHF, UHF, 800 MHz

**6880101W33** SPECTRA Detailed Service Manual

**6881074C45** SPECTRA Service Manual, 800 MHz

**6880101W37** SPECTRA Service Manual, 900 MHz

**6881070C95** SPECTRA Service Manual, VHF

**6880101W39** SPECTRA Service Manual, UHF

**6880102W33** SPECTRA Service Manual, Securenet