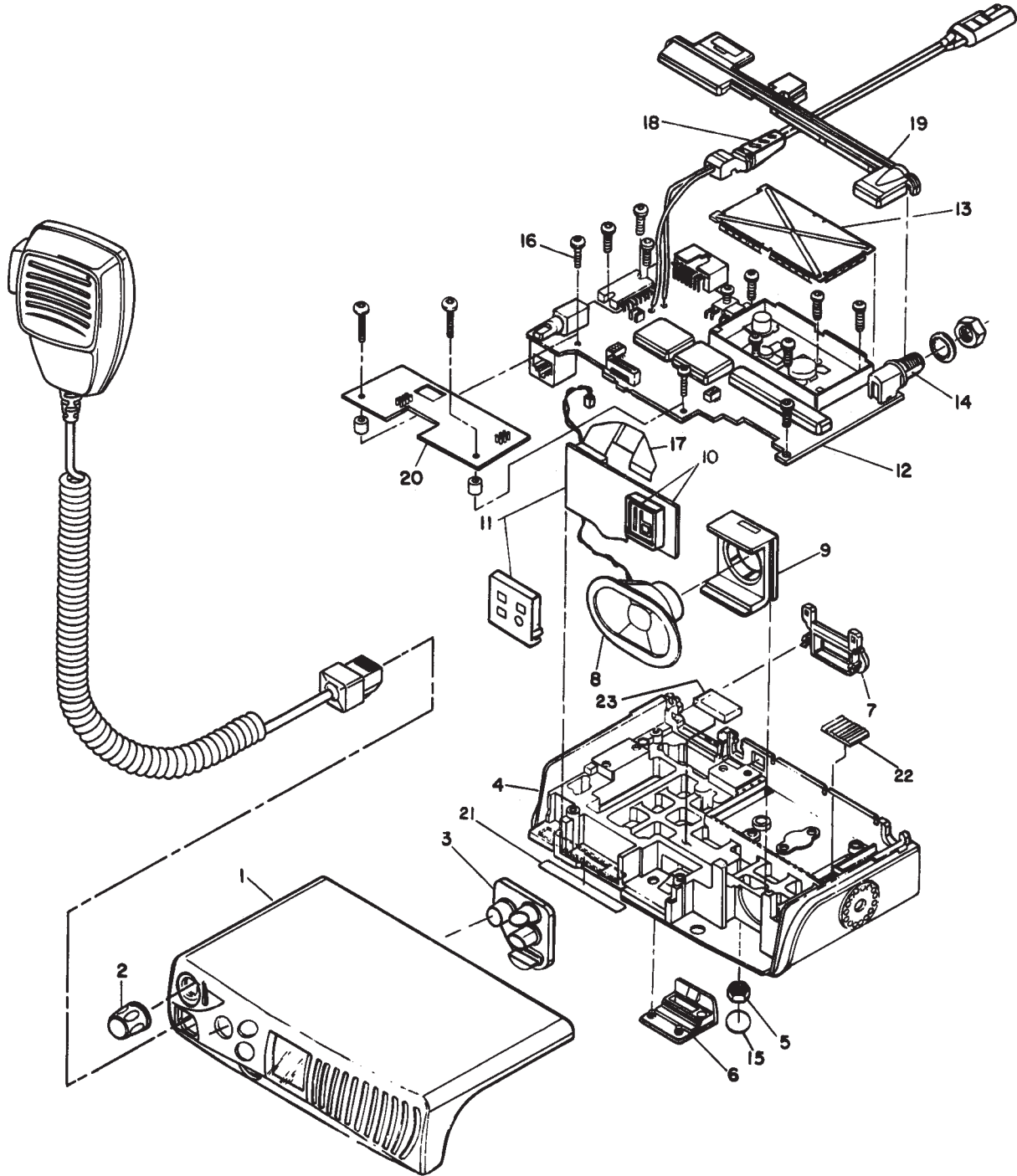


SM50/SM120 Series

Parts List



Parts available for U.S. field service customers only

SM50/SM120 Series

Parts List

REF. NO.	PART NO.	DESCRIPTION	REF. NO.	PART NO.	DESCRIPTION
1	1504606J01	Housing, cover assembly, SM50	12	---	Main Board (Not field replaceable)
	1504606J02	Housing, cover assembly, SM120	13	2604420J01	Shield, PA frame cover
2	3604414J02	Knob, volume control	14	0983228R01	Connector, Mini-U antenna
3	7504436J01	Keypad, SM50	15	---	Plug Button, VHF 10-25W
	7504436J02	Keypad, SM120	16	0310943J11	Screw, 3mm x 10; 12 used
4	2604417J01	Heatsink	17	2804431J01	Cable, folded; 10 position
5	0200007003	Nut, 8-32 x 5/16 x 1/8 hex, UHF	18	3004510J01	Cable, power w/strain relief
6	3204502J02	Gasket, release latch	19	3204412J02	Gasket, rear
7	1504501J01	Shroud, spacer, snap-on	20	---	Option Board
8	5004410J01	Speaker, w/wire assembly	21	---	Label, warning
9	3204411J01	Gasket, speaker retaining	22	3204416J01	Gasket, thermal conductive pad
10	PMLN4022A	Assy, front panel display, SM50	23	---	Pad, pullout VCO
11	PMLN4023A	Assy, front panel display, SM120			

SM50/SM120 Series

Mobile Accessories

Microphones

Compact Microphones

HMN3001A Compact Microphone with LED Indicator, 10 foot coil cord and hang-up clip

HMN3008A Compact Microphone with LED Indicator, 10 foot coil cord and hang-up clip



HMN3001A

HMN3174B Compact Microphone with TX LED Indicator, 7 Foot Coil Cord and Hang-Up Clip

HMN3174B



Microphones

Heavy Duty Microphone

HMN1035C Heavy Duty Palm Microphone with 10.5 Foot Coil Cord



HMN1035C

Handset

AAREX4617A Telephone Style Handset Kit

Microphone Accessories

HLN9073B Microphone Hang-Up Clip (all microphones)

HLN9414A Universal Hang-Up Clip (all microphones)



HLN9414A



HLN9073B

SM50/SM120 Series

**Mobile
Accessories**

Cigarette Lighter Adapter

HKN9407A Cigarette Lighter Adapter – available for mobiles operating at 25W only

External Speaker

HSN9008A 7.5 Watt External Speaker with Accessory Connector modified for enhanced connection reliability when used with the SM series



HSN9008A

Control Station Accessories

HPN9012A 1-25 Watt Power Supply – 115 V AC only (25W mobiles only – control station cable not needed)

HPN8393D Up to 45 Watt Power Supply – 115/230V AC (also used with GR300/GR400 repeaters)



HPN8393D

HKN9018A Control Station Cable- – interfaces radio power cable to power supply cable (for HPN8393 only)

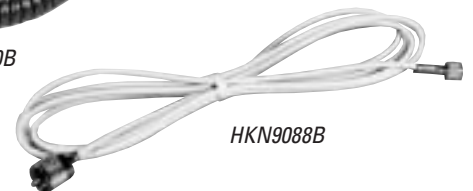


HMN3000B

HMN3000B Desk Microphone, black

HLN9226C Mobile Holder (attaches mobile radios to the power supply)

HKN9088B Mobile Mini-U Antenna Adapter – 8 foot cable



HKN9088B

SM50/SM120 Series

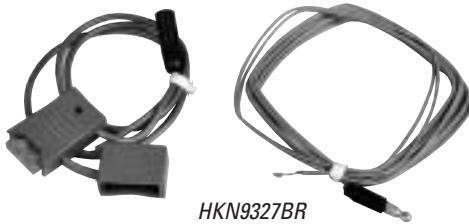
Mobile Accessories

Installation Accessories

HKN4137A Low Power Cable to Battery

HKN9019A 16 Pin Conductor Cable – same as HKN9969 (3 foot long enhanced connectors)

HKN9327BR
Ignition Switch
Cable
(SM50/SM120 –
requires HLN9242)



HKN9557A PL259/Mini-U Antenna Adapter – 8" cable (not recommended for 800 MHz)



HLN8027A Mini-UHF to BNC Adapter

HLN9242A 16-Pin Accessory Kit with Expanded Connector (kit allows existing 16-pin connector accessories to be modified for enhanced connector reliability when used with SM series mobiles; includes 9 wires with lugs, 1 connector housing 16 crimping terminals, 2 tie straps and 1 extraction tool)

Mounting Accessories

HLN9617A Key Lock Mounting Bracket

HLN9154A Non-Locking
Bracket (standard with
SM series)



HLN9162A 5" Goose Neck Mounting Bracket

HLN9227A 8" Goose Neck Mounting Bracket

HLN9179A Quick Release Mounting Bracket



HLN9228A Clam Shell
Mounting Bracket

HLN9408A Gooseneck Décor Sleeve –
used to cover gooseneck and wires

HLN9573A Shorting Plug Kit for microphone jack – used when application calls for a deskset (covers microphone jack)

SM50/SM120 Series

**Accessories,
Antennas**

Alarm Accessory

HLN9328C External Alarm Relay Cable – horn and lights

Antennas

VHF

HAD4006A VHF 1/4 Wave Roof Mount Antenna, 136-144 MHz

HAD4007A VHF 1/4 Wave Roof Mount Antenna, 144-152 MHz

HAD4008A VHF 1/4 Wave Roof Mount Antenna, 150.8-162 MHz

HAD4009A VHF 1/4 Wave Roof Mount Antenna, 162-174 MHz

HAD4014A VHF 3 dB Gain Roof Mount Antenna, 140-174 MHz

RAD4000AMB VHF 3 dB Gain Magnetic Mount Antenna, 140-174 MHz

Antennas

UHF

HAE4003A UHF 1/4 Wave Roof Mount Antenna, 450-470 MHz

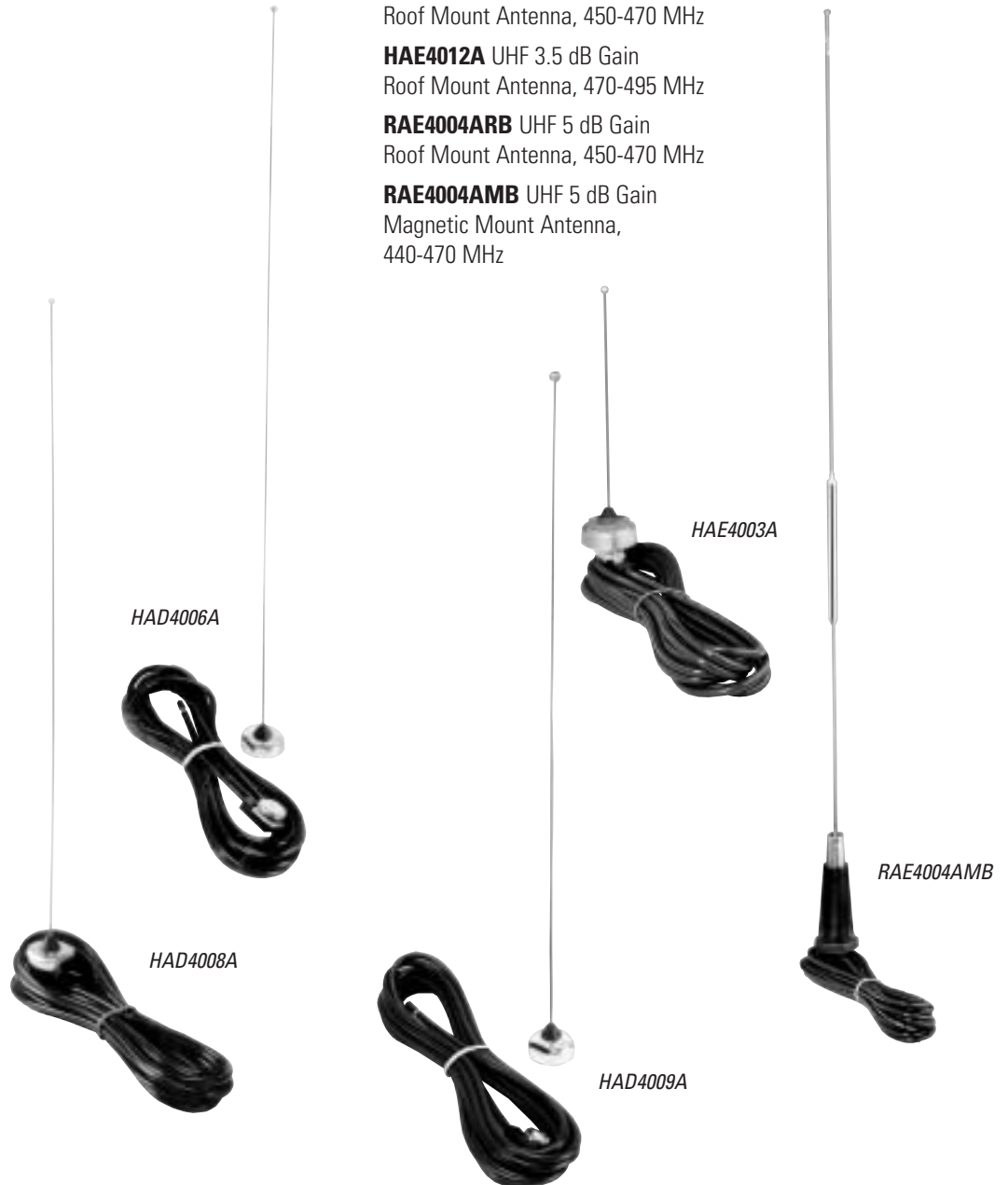
HAE4004A UHF 1/4 Wave Roof Mount Antenna, 470-512 MHz

HAE4011A UHF 3.5 dB Gain Roof Mount Antenna, 450-470 MHz

HAE4012A UHF 3.5 dB Gain Roof Mount Antenna, 470-495 MHz

RAE4004ARB UHF 5 dB Gain Roof Mount Antenna, 450-470 MHz

RAE4004AMB UHF 5 dB Gain Magnetic Mount Antenna, 440-470 MHz



SM50/SM120 Series

Service Aids

Service Aids

Computer Interface Cable

Used to connect computer's serial port to Radio Interface Box.

3080369B71 Computer Interface Cable; RIB to 25 pin D

3080369B72 Computer Interface Cable; RIB to 9 pin D

Radio Interface Box

Links radio programming cable and computer interface together. Provides required voltage shift to enable communications between radio and computer. Requires computer interface cable, radio programming cable and a 9 volt snap type battery (6082728J01) or wall mount power supply, order separately.

RLN4008E Radio Interface Box



RLN4008E



0180357A57

Wall Mounted Power Supply

Used to supply power to Radio Interface Box.

0180357A57 Wall Mounted Power Supply (110 volts)

0180358A56 Wall Mounted Power Supply (220 volts)

Service Aids

SM Series Programming Software

This software enables you to add or reprogram the SM Series as your requirements change. Compatible with IBM XT, AT, Model 30, 50, 60 and 80. Requires Radio Interface Box and proper cables; order separately.

HVN9007E Programming Software, includes diskettes (3-1/2" and 5-1/4"), manual, binder, and storage box.

Program/Test Cable

Acts as a link between RIB and radio; required to program radio.

3080070N01 Program/Test Cable

Power Supply Cable

HKN4191B Power Supply Cable, High Power (60 watt), replaces HKN9402A

HKN4137A Mobile Power Cable, Low Power (25 watt)

SM50/SM120 Series

Service Tools, Manuals

Service Tools



RSX4043A

Torque Screwdriver

Measures the amount of torque being applied. Recommended for precise radio assembly. Bits must be ordered separately.

RSX4043A Adjustable Torque Screwdriver

Crimping Tool

For installations requiring crimping of Mini-UHF connector.

6680388A26 Crimping Tool



6680388A26

Test Adapter

Used to manually key radio. Must be attached to Program/Test Cable

RLN4137A Test Adapter



RLN4137A



6680388A13

Battery Cable Adapter

6680388A13 Side Mount Battery Cable Adapter

VCO Test Cable

Interfaces mobile's RF board to test equipment for troubleshooting (not required for all mobiles.)

3080373B41 VCO Test Cable

Service Tools

Antenna Adapters

5880367B22 Mini-UHF Adapter

2880376E84 Mini-UHF Connector

HKN9088B Mini-UHF to UHF Adapter – 8 foot cable



5880367B22

Cloning Cable

HKN9755A Allows radio to be duplicated from a master radio by transferring programmed data from one radio to another.

Test Cable

0180352A01 Mini U to BNC Cable (3 ft.) Connects mobile to RF test instruments.

Manuals

6880904Z10 SM Series Installation Manual

6880903Z45 SM Series Service Manual

6880903Z46 SM50 Operators Manual

6880903Z74 SM50 Operators Card

6880903Z88 SM120 Operators Manual

6880903Z89 SM120 Operators Card