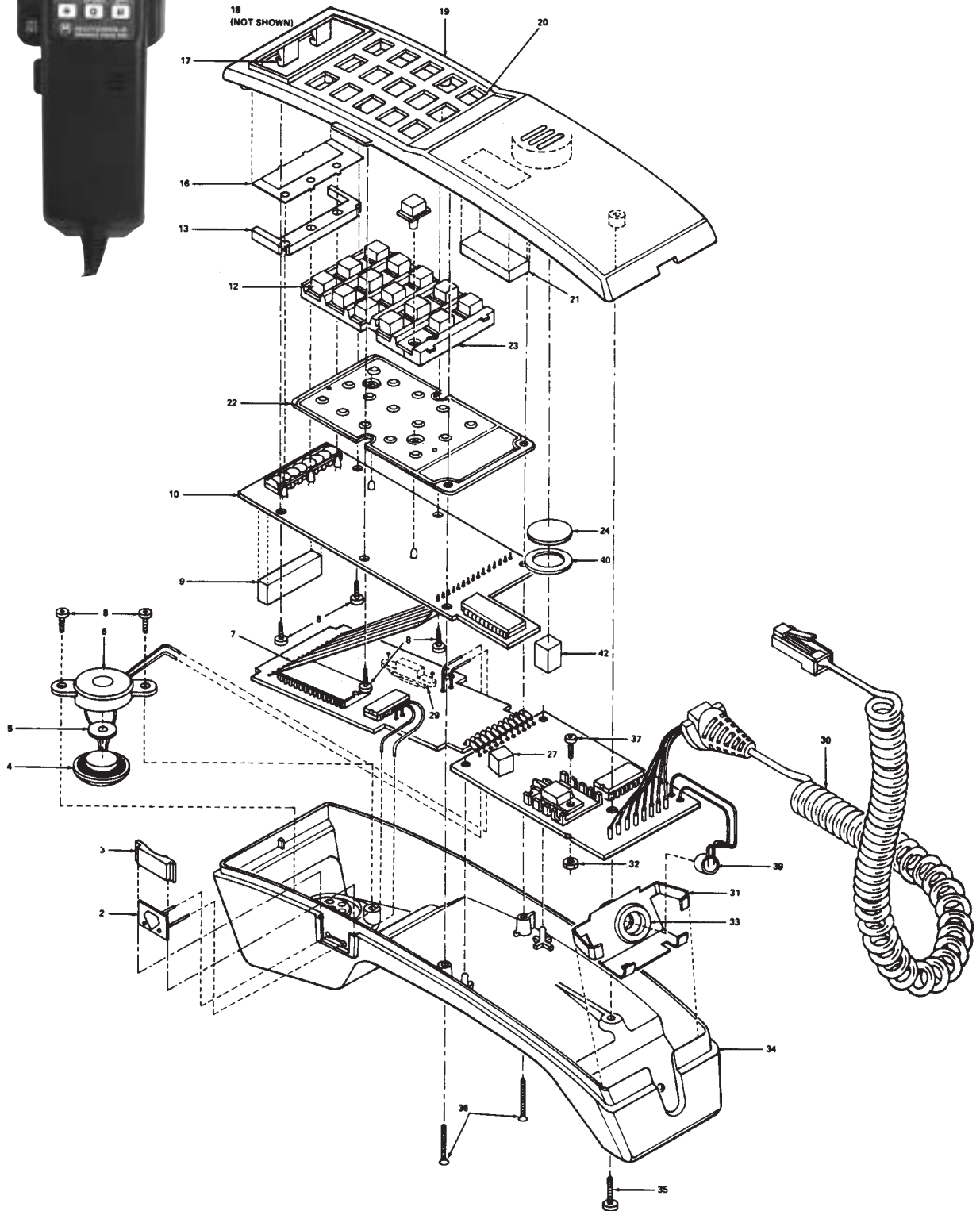


PRIVACY PLUS 250/750 Series

Parts List



Replacement parts are no longer available

PRIVACY PLUS 250/750 Series

Parts List

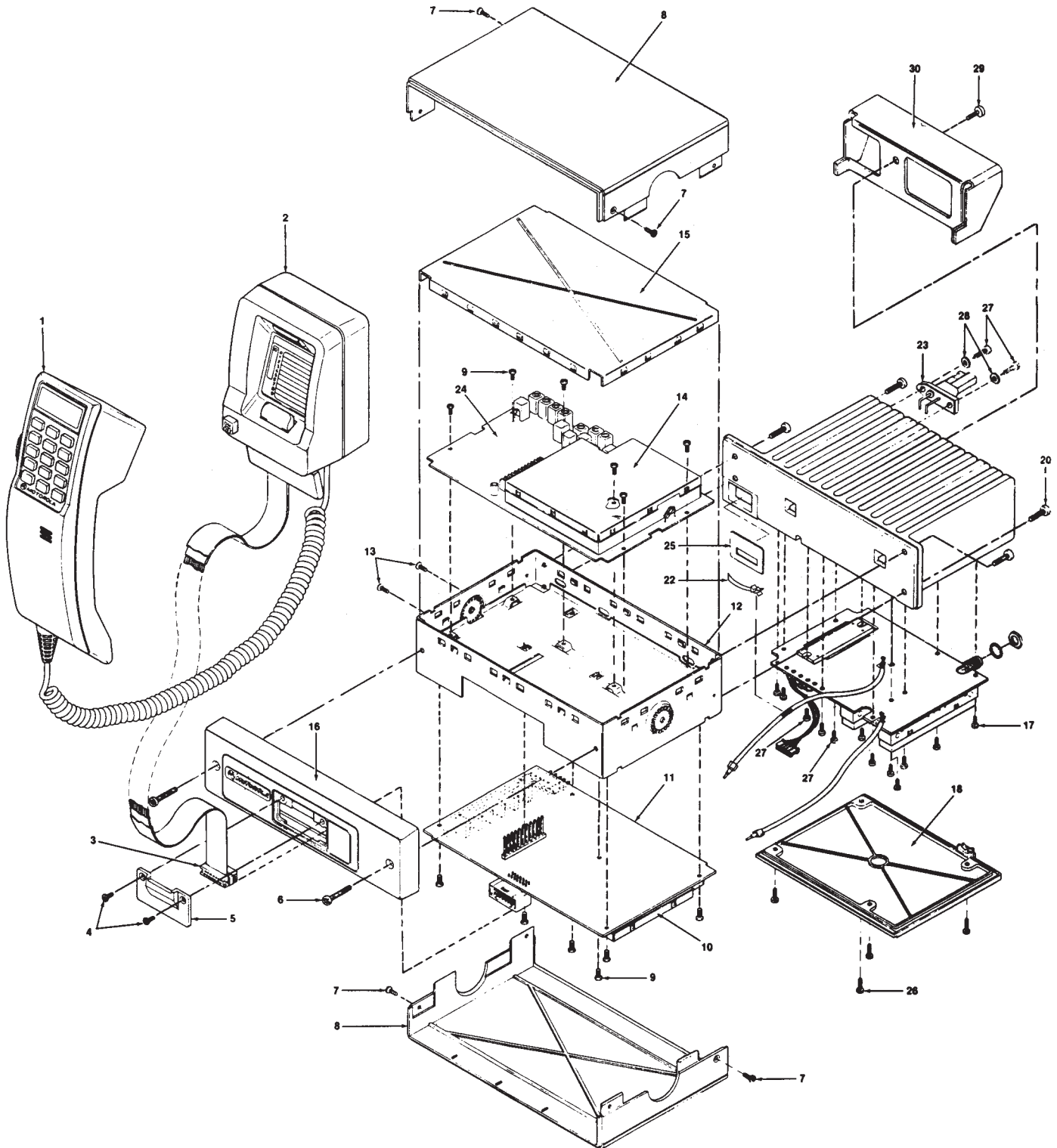
Privacy Plus Control Unit

REF. NO.	PART NO.	DESCRIPTION	REF. NO.	PART NO.	DESCRIPTION
-------------	----------	-------------	-------------	----------	-------------

***Cancelled Product Privacy Plus 250/750:
Aftermarket support criteria has been met for
spare parts. Items are no longer available.***

PRIVACY PLUS 250/750 Series

Parts List



Replacement parts are no longer available

PRIVACY PLUS 250/750 Series

Parts List

Privacy Plus Radio Unit

REF. NO.	PART NO.	DESCRIPTION	REF. NO.	PART NO.	DESCRIPTION
-------------	----------	-------------	-------------	----------	-------------

***Cancelled Product Privacy Plus 250/750:
Aftermarket support criteria has been met for
spare parts. Items are no longer available.***

PRIVACY PLUS 250/750 Series

Accessories, Service Aids

Miscellaneous Accessories



5880367B22 Mini-UHF to UHF Adapter

2880376E84 Mini-UHF Antenna Connector

HSN4019B 5 watt External Speaker

HKN4192B 17' Fused Negative Ground
Cable Kit

External Alarm

Both of the following kits must be ordered for field installation of external alarm.

HKN9308A External Alarm Cable Kit
(Not compatible with HKN9309A)

5900813674 External Alarm Relay Kit
(Not compatible with HKN9309A)



HKN9308A

Mounting Hardware

Provides enhanced accessibility for both you and your passengers.

TRN9524A Standard Hinge Moun

HLN9100B Radio Mounting Tray with
installation hardware



HLN9100B

Service Aids

Program/Test Cable

Required to program radio, acts as a link between Radio Interface Box and radio.

3080070N01 Program/Test Cable

VCO Test Cable

Provides interface between RF board and test equipment.

3080373B41 VCO Test Cable

PRIVACY PLUS 250/750 Series

Service Aids, Manuals

Service Aids

Computer Interface Cable

Used to connect computer's serial adapter to Radio Interface Box.

3080369B71 Computer Interface Cable; RIB to 25 pin D

3080369B72 Computer Interface Cable; RIB to 9 pin D

Radio Interface Box

Links radio programming cable and computer interface together. Provides required voltage shift to enable communications between radio and computer. Requires computer interface cable, radio programming and a 9 volt snap type battery (6082728J01) or wall mount power supply. Order separately.

RLN4008E Radio Interface Box



Wall Mounted Power Supply

Used to supply power to Radio Interface Box.

0180357A57 Wall Mounted Power Supply, 110 volts

0180358A56 Wall Mounted Power Supply, 220 volts

Service Aids

Programming Software

Utilizing your personal computer, this software enables you to add or reprogram frequencies as your requirements change. Compatible with IBM XT, AT, Model 30, 50, 60 and 80. Requires Radio Interface Box and proper cables; order separately.

RVN4043P Programming Software, 3-1/2" Diskette (Includes Binder and Manual)

Manuals

6881078E55 Instruction Manual

6881121E55 User Manual

6881121E56 User Card-250

6881121E57 User Card-750