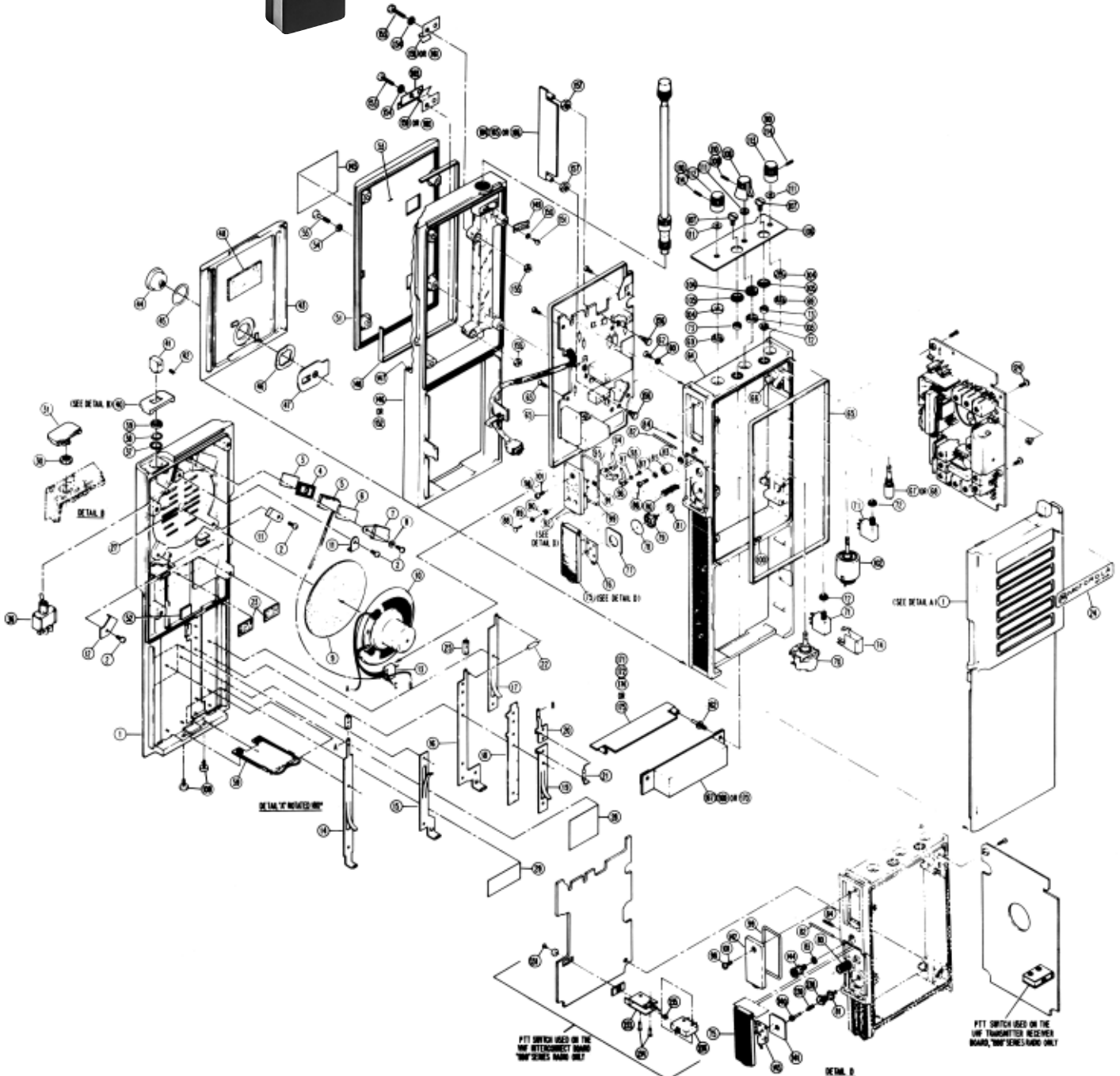


MT500 Series

Parts List



Replacement parts may no longer be available

MT500 Series

Parts List

H23BBB, H33BBB, H23BBU, H33BBU, H24BBB, H34BBB, H24BBU, H34BBU

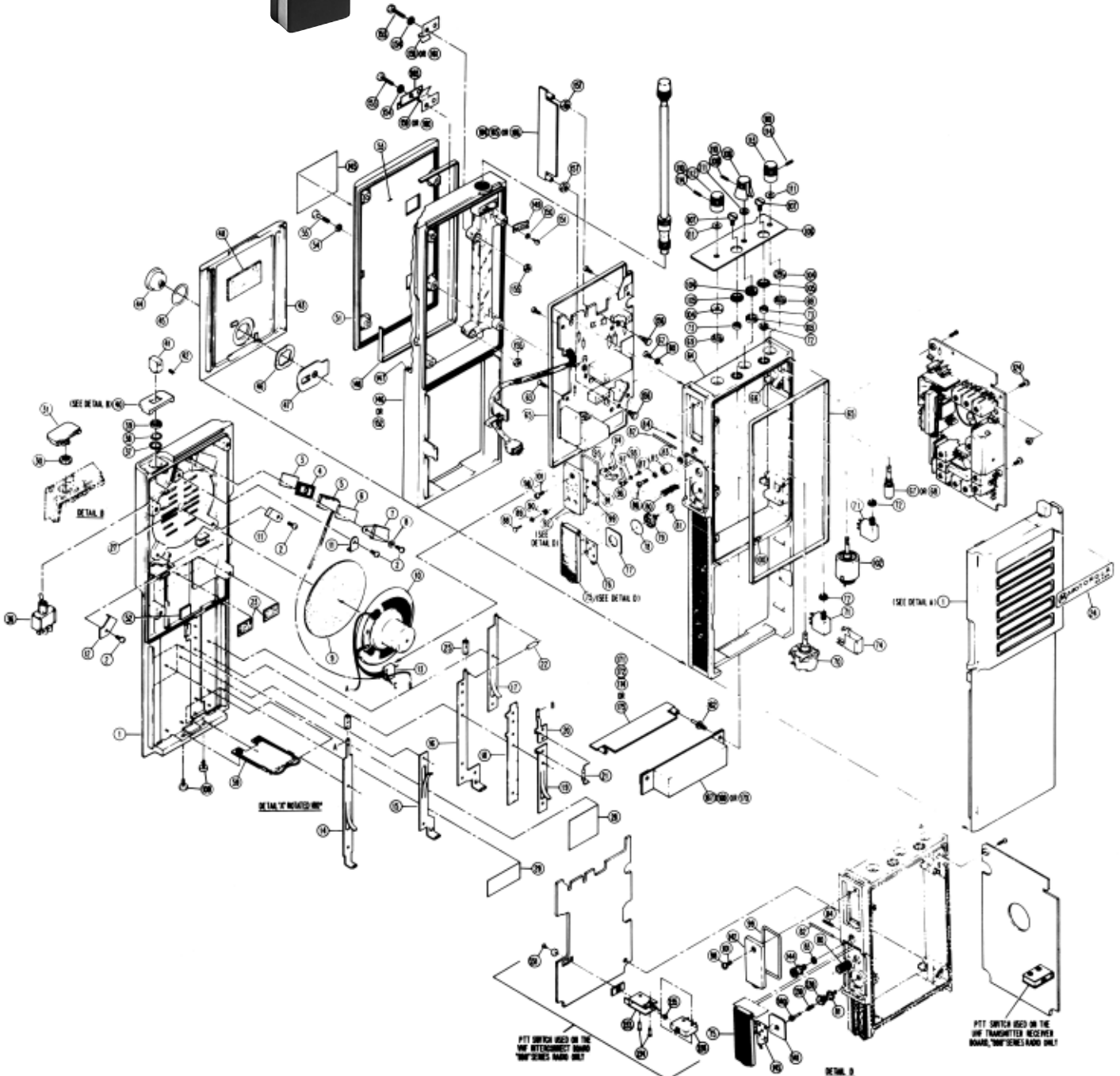
REF. NO.	PART NO.	DESCRIPTION	REF. NO.	PART NO.	DESCRIPTION
1	1505660D01	Front Cover (Slimline Extended, Omni Extended)		1505699D01	Cover, Rear (Omni Short)
	1505633D01	Front Cover (Slimline Short, Omni Short)	52	7505083E01	Pad (Omni Extended, Omni Short)
2	0300138651	Machine Screw (2-56 x 1/8" Phillips Pan Hd)	53	7505533F02	Pad (Omni Extended, Omni Short)
3	3505450B01	Felt, Mic	54	0484345A06	Washer Seal
5	5982575J02	Mic Cartridge	55	0305662D09	Screw, Captive (Slimline Extended, Slimline Short)
6	7582745J02	Pad Clamp		0305662D11	Screw, Captive (Omni Extended, Omni Short)
7	0705672D01	Mic Bracket	56	0300139444	Latch, Screw
8	0405314E01	Washer, Spring	57	1405359E01	Insulator, Contact (Slimline Extended, Slimline Short)
9	3505370C01	Cloth Felt Grille	59	NLN4181A	Latch Assembly (Slimline Extended, Slimline Short)
10	5005334D01	Speaker		NLN4182A	Latch Assembly (Omni Extended, Omni Short)
11	4205670D01	Clamp, Speaker	62	0300138661	Screw, Mach (2-56 x 3/16")
12	4205671D01	Clamp, Speaker	63	0300136666	Screw, Mach (2-56 x 1/4")
13	0105956C63	Receipt, Conn Assembly, Short Frame	64	0705640D01	Frame, Extended (Slimline Extended, Omni Extended)
13	0105958C87	Receipt, Conn Assembly, Extended Frame		0705547D01	Frame, Short (Slimline Short, Omni Short)
14	4205573A01	Strap, Contact Neg	65	3282172J11	Gasket, Frame (Slimline Extended, Slimline Short, Omni Short)
15	4205575A01	Contact, Sen		3205744J01	Gasket, Frame (Omni Extended)
16	4205283E01	Strap Contact Charge	66	4305661D01	Bushing, Cover mtg
17	4205576A01	Strap Contact	67 or 68	1805333E01	Pot Cermet Alternate
18	1405282E01	Contact	69	0282653D03	Nut, Special
19	4205269G01	Strap Contact Positive	70	REX4060A	Potentiometer Control Switch
20	4205573A01	Strap Contact Positive	71	0905786J01	Jack, Micro
21	6505214E01	Fuse	72	4305052E02	Bushing, Shoulder
22	4880388B70	Rectifier, Silicon	73	0205050E01	Nut, Special
23	1482392E05	Insulator Paper	74	2605054E01	Shield, Antenna
24	3305537E01	Name Plate	75	4505784D01	Lever
27	1110019A88	Adhesive, Silicone Rubber	76	4105783D03	Spring, Actuator (PTT)
28	1300868710	Label, Patent	77	RPX4217A	Gasket (PTT)
30	3205315E01	Gasket, Plug	78	3905834K07	Contact, Disc (PTT)
31	3805115E01	Plug, Cover	79	3905195G01	Contact, Feed-thru (PTT)
36	4005061E01	Switch, Toggle, SPDT	80	3205082E02	Seal, "O" Ring
37	3205082E01	Gasket, "O" Ring	81	4105267E01	Spring, Compression
38	0405081E01	Washer, Special	82	2205084E01	Pin, Spring
39	0205050E03	Nut, mtg	83	0405249E01	Washer, Insert
40	1305057E07	Escutcheon, Switch	84	0305246E01	Screw, Set
41	3605114E01	Knob, Switch	85	4305781D01	Insert, Threaded
42	0383174C04	Screw, Set	86	4605154E01	Stud
43	1505697D01	Cover, Battery			
44	3805908D01	Button			
45	0405910D01	Washer			
46	0405316E01	Washer Spring			
47	5505907D01	Latch			
48	7505083E01	Pad			
50	2605045E01	Shield, Antenna Tube (Slimline Extended, Slimline Short)			
51	1505698D01	Cover, Rear (Slimline Short)			
	1505943D01	Cover, Rear (Omni Extended)			
	1505039E01	Cover, Rear (Slimline Extended)			

(Continued on page 199)

Cancelled Product MT500: Aftermarket support criteria has been met for spare parts. Items may no longer be available.

MT500 Series

Parts List



Replacement parts may no longer be available

MT500 Series

Parts List

H23BBB, H33BBB, H23BBU, H33BBU, H24BBB, H34BBB, H24BBU, H34BBU

REF. NO.	PART NO.	DESCRIPTION	REF. NO.	PART NO.	DESCRIPTION
87	0405248E01	Washer, Stud	123	7583562H02	Pad, Rubber (Slimline Extended, Slimline Short)
88	3905456F01	Pin, Contact	124	0482418B97	Washer, Teflon (Slimline Extended, Slimline Short)
89	3205082E03	Gasket, "O" Ring	131	0300139939	Machine Screw (2-56 x 1/8" Fit Head)
90	4105424F03	Spring, Compression	133	0705261E01	Bracket, Switch
91	4205463E02	Ring, Retaining	134	0505095E09	Eyelet
92	0905677D03	Receptacle	136	4005265E01	Switch, Micro
93	0300139684	Screw (0-80 x 1/8" Fill Hd)	138	0205250E01	Nut (PTT)
94	4105197G03	Contact	139	4105252E01	Spring (PTT)
95	4605072E01	Block (Slimline Extended, Slimline Short, Omni Short, Omni Extended)	140	4705251E01	Actuator, (PTT)
96	4105197G01	Contact	141	3205077E01	Gasket, Switch
97	0400134190	Washer	142	1505212E02	Cover, Receptacle
98	0300138651	Mach Screw (2-56 x 1/8" SST)	143	4105783D03	Spring, Actuator
99	3205661G01	Seal, "O" Ring	144	RPX4072A	Stud, Heat Sink
100	1110019A88	Adhesive, RTU Silicone Rubber (Omni Extended, Slimline Short, Omni Short)	146	1505858D01	Housing, Sleeve (Omni Extended)
101	1110019A63	Sealant Compound		1505651D01	Housing, Sleeve (Omni Short)
102	4005120E01	Switch, Toggle (Slimline Short, Slimline Extended)	148	3282172J11	Gasket, Frame (Omni Extended, Omni Short)
	4005053E01	Switch, Rotary (Omni Extended)	149	4205860D01	Clip, Antenna
	4005119E01	Switch, Rotary (Omni Short)	150	0405314E03	Spring, Washer (Omni Extended, Omni Short)
103	0282653D07	Nut, Special (Slimline Extended, Slimline Short)	151	0305493F01	Machine Screw (2-56 x 3/16")
	0282653D05	Nut, Special (Omni Extended, Omni Short)		0305044E01	Screw, Special (Omni Extended, Omni Short)
104	7583562H02	Pad, Rubber	153	0300115356	Machine Screw (2-56 x 5/16")
105	4305051E01	Bushing, Insulator	154	0400400139	Lock Washer (2 split)
106	1305621D05	Escutcheon (Slimline Extended, Slimline Short)	155	0200115676	Nut (2 hex)
107	0310129A24	Screw, Jack	156	4605798E01	Post, Guide
108	3605114E01	Knob, Switch (Slimline Extended, Slimline Short)	157	0205797E01	Nut
	3605254K05	Knob, Control (Omni Extended, Omni Short)	158	4205445E04	Clip
109	0383174C04	Setscrew	159	4205445E03	Clip
111	0482418B97	Washer, Teflon	160	4205445E02	Clip
112	3605254K01	Knob, Volume	161	4205445E01	Clip
113	3605254K03	Knob, Squelch	162	4605800E01	Screw, Guide (Omni Extended)
114	0383174C02	Setscrew	165	NLN4645A	Tone PL Deck (Universal) (Omni Short, Omni Extended)
119	0310129A24	Screw, Jack (Slimline Extended, Slimline Short)		NLN4644A	Tone PL Deck (Basic) (Omni Short, Omni Extended)
120	7508356H01	Pad, Rubber (Slimline Extended, Slimline Short)	167	NLN4211A	Optional Deck (Tone PL) (Omni Extended, Slimline Extended)
121	4305051E01	Bushing, Insulator (Slimline Extended, Slimline Short)	169	NLN4961A	Optional Deck (Selective Call) (Omni Extended, Slimline Extended)
122	1305621D01	Escutcheon (Slimline Extended, Slimline Short)			

Cancelled Product MT500: Aftermarket support criteria has been met for spare parts. Items may no longer be available.

MT500 Series

Portable Accessories

Chargers



NLN5223A

Mounting Bracket and Leg Kits for Multi-Unit Chargers

NLN5223A Standard Rate Chargers

Vehicular Antenna Adapter Cable

NKN6260A Vehicular Antenna Adapter Cable



NKN6260A

Power Cable Kits

NKN6150A 12V Input Cable

NKN6151A 12V (Lighter Receptacle Cable)



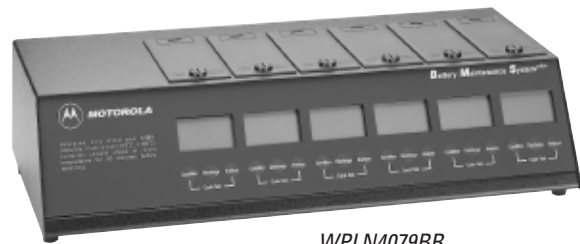
NKN6150A

Power Amp Cable

NKN6300A Power Amp Cable, DC Negative Ground

Battery Maintenance System^{plus} (BMS^{plus})

Using interchangeable battery adapters (sold separately), the BMS^{plus} is capable of charging and discharging, analyzing, conditioning and cycle test on batteries; tracking battery voltage and capacity (mAh). The BMS^{plus} offers a 3 year warranty. Its easy-to-use design supports hundreds of 2-way, cellular, and camcorder batteries with printer port* (Serial-RS-232C port – uses female 9-pin to male 25-pin cable).



WPLN4079BR

WPLN4079BR Six-Station, 110V AC, 50/60 Hz

WPLN4080BR Six-Station, 230V AC, 50/60 Hz

NDN4005B Three-Station, 110V AC, 50/60 Hz

NDN4006B Three-Station, 230V AC, 50/60 Hz

BMS^{plus} Adapters

TDN9721A Standard Adapter, MT500

TDN9439A Adapter

Optional Adapters

** **TDN9432A** Adapter, Universal Alligator Clip Lead

** **TDN9527A** Adapter, Universal Dip Switch

*Compatible with the STAR Micronics SP200 series printers, available from any STAR Micronics distributor, and other printers with STAR emulation.

**Universal adapters available as an option to accommodate all radio types.

MT500 Series

Portable Accessories

Battery Optimizing System II (BOS II)



WPLN4124AR

No other battery analyzer matches the speed, accuracy, and versatility of the Battery Optimizing System II. Ideal for large fleet, public safety, and all other users who rely on their battery performance. Now with increased power, more sophisticated programming options, and easier to use navigation paths, optimizing your batteries was never easier. Key features include:

- Support for NiCd, NiMH, Li-ion, and SLA batteries
- 100 watt power supply and programmable from 100 mA to 4 amps per station
- Interchangeable adapters accommodate all major brands
- Includes a variety of user programs and allows for customizable programming
- Proprietary recondition cycle restores NiCd and NiMH batteries
- Increased processing power and testing resolution – including a three minute Quicktest that measures the batteries State of Health (SoH)
- Printer output for reports and labels
- Three year warranty

WPLN4124AR BOS II, Four-Station, 100-240V AC (US line cord)

WPLN4125AR BOS II, Four-Station, 100-240V AC (UK/Euro line cords)

BOS II Adapters

RL-71142 Standard Adapter, MT500, 500 mAh

RL-71151 Standard Adapter, MT500, 225, 250, 275 mAh

Optional Adapters

RL-70115 Adapter, Universal; services Li-ion

RL-70110 Adapter, Universal; service NiCd and NiMH

Carrying Accessories

Carrying Cases

Standard carrying cases with snap-on/off perforated full covers provide maximum protection, yet permit audio to be heard clearly. T-strap covers permit easy access to all controls. (Radios with rigid loop antenna must use T-strap cover). Sturdy black leather construction. Heavy-duty snaps on integral belt loop permit quick attachment and release (fits belts up to 2-1/2"). For over the shoulder carry, the adjustable sturdy black nylon carrying strap is recommended.



NLN6778B

Standard Carrying Cases

NLN6778B Leather Omni Long Housing Case and Cover

NLN6777B Leather Omni Short Housing Case and Cover

NLN6738B Leather Slimline Long Case and Cover



NLN6738B

MT500 Series

Portable Accessories

Carrying Accessories

Detachable Swivel Carrying Cases

(Note: Cover, T-Strap and belt loop must be ordered separately)

Swivel carrying cases attach to belt loop attachment by inverting radio. Radio swings freely on belt loop attachment, adjusting to body movements walking or sitting. Sewn belt loop attachment fits belts up to 2-1/2".



1505276F02

1505276F03 Leather Omni Long Housing Carry Case

1505276F01 Leather Omni Short Housing Carry Case

1505276F02 Leather Slimline Short

1505276F04 Leather Slimline Long

MT500 Unit ID Priority Scan Carrying Cases

NLN4789A Leather with swivel back, includes nylon hold down strap

NLN4787A Leather with standard back, includes nylon hold down strap

Touch Code Carrying Case

NLN5940A Omni, Slimline, Standard Back, includes nylon hold-down strap

NLN5941A Omni, Long, Standard Back, includes nylon hold-down strap



NLN4789A

Radio can be worn on belt without carrying case by replacing conventional back cover on radio with a back cover having a permanent belt clip.

Back Cover with Belt Clip

NLN4449A Slimline, Long 1-5/8"



NLN4449A

Carrying Accessories

Belt Loop

4205857B01 2", Leather Belt Loop

Swivel Belt Loop

4282421J06 2-1/2", Swivel Belt Loop

Belt Loop Snap

NLN5442A Detachable Leather Belt Loop, Snap, 2-1/2"



4205857B01

Full Covers

1582535J02 All Models, Leather



1582535J02



4205297G03

4205297G02

Hold Down Straps

4205297G03 Nylon, Standard Hold Down Strap

4205297G02 Nylon, Unit ID Hold Down Strap

MT500 Series

Portable Accessories

Carrying Accessories

Chest Pack

Chest pack keeps radio on chest for maximum hands-free operation. Ideal where body movements might expose radio to damage. Detachable straps go over shoulder and around wrist. (The basic model MT500 radio is suggested as the universal side connector is obstructed when the chest pack is used).

HLN6602A Chestpack



HLN6602A



4200865599

Belt

4200865599 All Models, 2" Leather

Carrying Strap

NTN5243A All Models



NTN5243A

Audio Accessories

All accessories listed are compatible with Universal models. Only the NSN6008 Lapel Speaker and the NSN6011 Earpiece are compatible with Basic models.

NSN6008A Lapel Speaker



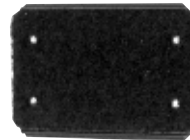
NSN6008A

5083693B04 Earpiece With Volume Control

5005178K01 Earpiece Without Volume Control



5083693B04



NLN8410A

NLN8410A Velcro Patch Pin Attachment

MT500 Series



Portable Accessories, Antennas

Audio Accessories

NMN6064A Noise Cancelling Headset/With Boom Mic (Requires NLN4477A)

NMN6065A Noise Cancelling Headset/With Cup Mic (Requires NLN4477A)

NLN4477A Quick Disconnect Adapter for NMN6089A, NMN6065A, NMN6064A



NMN6064A

Epaulet Strap

Black leather epaulet straps secure remote speaker microphones to epaulet of shirts or jackets and attach around cord. Allows reliable communications in hostile environments with Velcro or clip style strap.

RLN4294A Epaulet Strap, Velcro

RLN4295A Epaulet Strap, Small Clip



RLN4294A



RLN4295A

Portable Antennas

Heliflex

Heliflex antennas are especially practical where antenna height considerations are present because of their short and flexible design. Each antenna is tested and tuned to provide excellent reception and transmission. Each antenna is color coded on the connector indicating frequency.

8505195H01 30-35 MHz

8505195H02 35-40 MHz

8505195H03 40-45 MHz

8505195H04 45-50 MHz

8582283J05 132-142 MHz

8582283J06 142-150 MHz

8582283J01 150-162 MHz

8582283J02 162-174 MHz

8505146B04 450-470 MHz

8505146B05 470-512 MHz



8505195H01



8582283J05

MT500 Series

Antennas,
Batteries,
Service Tools

Portable Antennas

Collapsible

Collapsible antennas extend well above body shielding for good reception and transmission. Antenna is protected from damage by collapsing inside the radio.

8505509E01 136-162 MHz



Flexible Whip

Each antenna is tested and tuned to give you maximum power and performance.

NAE6050B 406-512 MHz



Portable Batteries

Nickel-Cadmium Premium

Part Number: **NLN4463B**

Volts: 15

Avg. mAh: 550

Height: 2-8/16"

Intrinsically Safe: Yes

Part Number: **NLN4462B**

Volts: 15

Avg. mAh: 550

Height: 2-8/16"

Intrinsically Safe: No

Service Tools



NLN4605A Tuning Tool Kit, Consists of 6605142J01 VHF Power Amp Tuning Tool, 6605607E01 Channel Elements and tunable Coils Tuning Tool, 6683006J01, 0.06 Spline Wrench, and 6683006J02 Preselector Tuning Tool.

5505717E01 Spanner Wrench

5505717E01



Over 7 million customers have made MyRadioMall.com America's #1 choice when it comes to dependable and reliable Motorola Communications at fantastic prices.

We are now celebrating our 12th year of online service and the best is yet to come.



Advanced Radio Systems, Inc
8726 NW 26 Street #6
Miami, Florida 33172
Voice Numbers: 305-884-1795
Toll Free: 1-866-900-Mall (6255)
Fax Number: 305-884-1985

12/25/2006