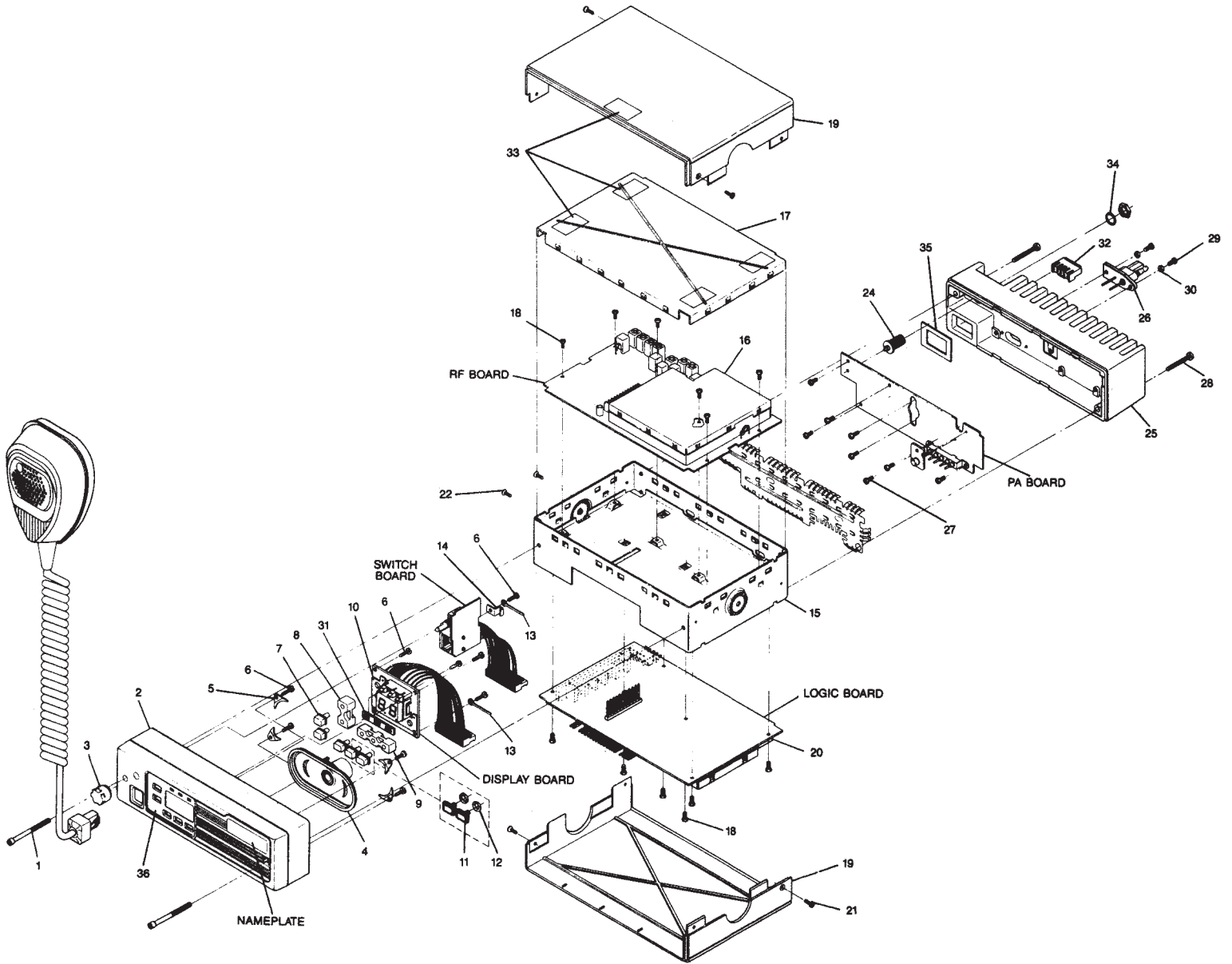


M208/M216 Series

Parts List



M208/M216 Series

Parts List

REF. NO.	PART NO.	DESCRIPTION	REF. NO.	PART NO.	DESCRIPTION
1	0380270L01	Front Mounting Screw; 2 used	19	1580127L01	Cover, housing; 2 used
2	1580074M05	Control Head Housing	20	1580124M01	Cover, logic shield
3	3680106M02	Control Knob	21	0310943R55	Taptite Screw (M3 x 8.0) flat; 4 used
4	5080085D02	Speaker	22	0310943R04	Taptite Screw (M2-5 x 8.0) flat; 2 used
5	4280253L01	Speaker Retainer; 4 used	23	2680223M05	Shield, PA, VHF & UHF
6	0310945A11	Plastic Screw; 9 used	24	0980131M01	Connector, antenna
7	3880272L02	Push Button (6 freq. models); 3 used (14 freq. models); 5 used	25	2680124L03	Heatsink, UHF & VHF
8	---	Push Button Spacer (1x2)	25	2680124L02	Heatsink, 800 MHz
9	4380275L01	Push Button Spacer (1x3)	26	0980255E01	Connector, power
10	7580201L01	Keypad	27	0310943M10	Taptite Screw (M3 x 3.0); 8 used
11	---	Button Plug; 2 used	28	0380271L01	Machine Screw (M4 x 27); 2 used
12	3280907T01	Gasket (6 freq. models only); 2 used	29	0380043L01	Taptite Screw (M3 x 10); 2 used
13	---	Wire Wrap; 2 used	30	0400131974	Washer; 2 used
14	0780037M01	Bracket Switch Board	31	3280039M01	Gasket
15	2780128L04	Chassis Frame	32	1580076M01	Housing, accessory connector
16	---	Cover, VCO shield	33	7580918T02	Pad, shock insulating; 5 used
17	2680038M03	Shield, chassis, RF	34	0400002636	Washer, int loc
18	0310943M09	Taptite Screw (M3 x 6.0); 12 used	35	3280014N03	Gasket, accessory connector
			36	1380277L05	Escutcheon (6 freq. models)
			36	1380277L01	Escutcheon (14 freq. models)

M208/M216 Series

Mobile Accessories

General Accessories

HLN9457A Hardware Kit for use with the Expanded Accessory Connector (includes 16 connector pins, (9) 8" wires with pins attached and an extra housing)

HLN9573A Shorting Plug Kit for Microphone Jack—used when application calls for a deskset (covers microphone jack)

REX4126A 5 Button—dust proof, quantity 5

Microphones and Accessories



HMN1056D

HMN1056D Compact Palm Microphone with 7 Foot Coil Cord

HMN1035C Heavy Duty Palm Microphone with 10.5 Foot Coil Cord

HMN1037C Non-Backlit Touch-Code Microphone with Hang-Up Clip

HLN9073B Microphone Hang-Up Clip (all microphones)

HLN9559A 7 Foot Coil Cord for Microphones (HMN1056 and HMN1035)



HMN1037C



HMN1035C

HLN9560A 10.5 Foot Extended Coil Cord for Heavy Duty Microphones

AAREX4617A Telephone Style Handset Kit

M208/M216 Series

**Mobile
Accessories**

Control Station Accessories



HMN1038D

HLN3199A High Power Control Station Package (25-60 watt models)

HKN9455A Power Cable for High Power Control Station (25-60 watt models) for control stations shipped before 4/93

HPN4001B Power Supply and Cable (25-60 watt models)

HMN3000B Desk Microphone (Black)

HMN1038D Desk Microphone (Beige)

HLN5292BR Base Station Tray

HKN9088B Mobile Mini-U Antenna Adapter—8 foot cable

Public Address Accessories

HKN9324BR 15 Foot Public Address/Speaker Cable (one cable per speaker)

HSN1000B 6 Watt Amplified External Speaker for public address audio (minimum of 1 required)

HSN9326A 5 Watt External Speaker for receiver audio (requires 16 pin options connector)



HKN9324BR



HSN1000B

Alarm Accessories

HLN9328C External Alarm Relay Cable—horn and lights

RLN5132A Emergency Push Button Alarm Cable

HLN9330B Emergency Footswitch Alarm Cable (GM300—16 channel only)

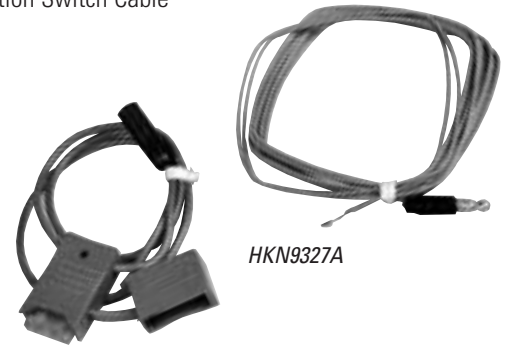


HLN9330B

Installation Accessories

HKN4191B High Power Cable to Battery

HKN9327A Ignition Switch Cable



HKN9327A



HKN9557A

HKN9557A PL259/Mini-U Antenna Adapter—8" cable (not recommended for 800 MHz)

2880376E84 Mini-U Connector (all bands)



2880376E84

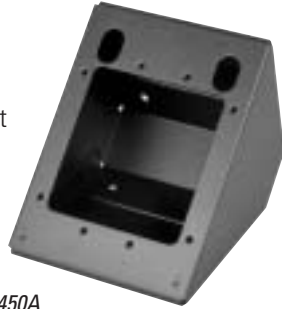
M208/M216 Series

Accessories, Antennas, Tools

Mounting Accessories

HLN9404A Sleeve Mounting Bracket

HLN9450A 45-60 degree Floor Mount Wedge M208-M216—requires HLN9404)



HLN9450A

Antennas

Low Band

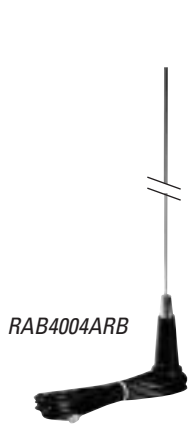
RAB4002ARB Standard Roof Mount Low Band 1/4 Wave Base Loaded Antenna, 29.7-36.0 MHz

RAB4003ARB Standard Roof Mount Low Band 1/4 Wave Base Loaded Antenna, 36-42 MHz

RAB4004ARB Standard Roof Mount Low Band 1/4 Wave Base Loaded Antenna, 42-50 MHz



RAB4002ARB



RAB4004ARB



RAB4003ARB

Service Tools

Torque Screwdriver

Measures the amount of torque being applied. Recommended for precise radio assembly. Bits must be ordered separately.

RSX4043A Adjustable Torque Screwdriver



RSX4043A

Crimping Tool

For custom installations requiring crimping of Mini-UHF connector.

6680388A26 Crimping Tool



6680388A26

Test Adapter

Used to manually key radio. Must be attached to Program/Test Cable

RLN4137A Test Adapter



RLN4137A

Battery Cable Adapter

6680388A13 Side Mount Battery Cable Adapter



6680388A13

Antenna Adapter

5880367B22 Mini-UHF Antenna Adapter

2880376E84 Mini-UHF Connector



5880367B22

M208/M216 Series

Service Aids, Manuals

Service Aids

Computer Interface Cable

Used to connect computer's serial port to Radio Interface Box.

3080369B71 Computer Interface Cable; RIB to 25 pin D

3080369B72 Computer Interface Cable; RIB to 9 pin D

Radio Interface Box

Links radio programming cable and computer interface together. Provides required voltage shift to enable communications between radio and computer. Requires computer interface cable, radio programming cable and a 9 volt snap type battery (6082728J01) or wall mount power supply; order separately.

RLN4008E Radio Interface Box



RLN4008E



0180357A57

Wall Mounted Power Supply

Used to supply power to Radio Interface Box.

0180357A57 Wall Mounted Power Supply (110 volts)

0180358A56 Wall Mounted Power Supply (220 volts)

Service Aids

Programming Software

This software enables you to add or reprogram frequencies as your requirements change. Compatible with IBM XT, AT, Model 30, 50, 60 and 80. Requires Radio Interface Box and proper cables; order separately.

RVN4135A This package includes six programming software disks and three manuals packaged in a single binder for the following radios:

Radio	Part Number	Disk Size	Manual
M100/M200 Series	HVN9173J	3.5"	M100/M200 Series
M110	HVN9646A	3.5" and 5.25"	
M400	HVN9774E	3.5"	M400
R100	HVN9177A	3.5" and 5.25"	R100

Program/Test Cable

Acts as a link between RIB and radio; required to program radio.

3080070N01 Program/Test Cable

Power Supply Cable

HKN4191B Power Supply Cable, High Power (60 watt), replaces HKN9402A

HKN4137A Mobile Power Cable, Low Power (25 watt)

Manuals

M200 Series

6880900Z45 RADIUS Mobile Owner's Manual

6880901Z50 M216 Operator's Card

6880101W58 M100/200 Series Service Manual