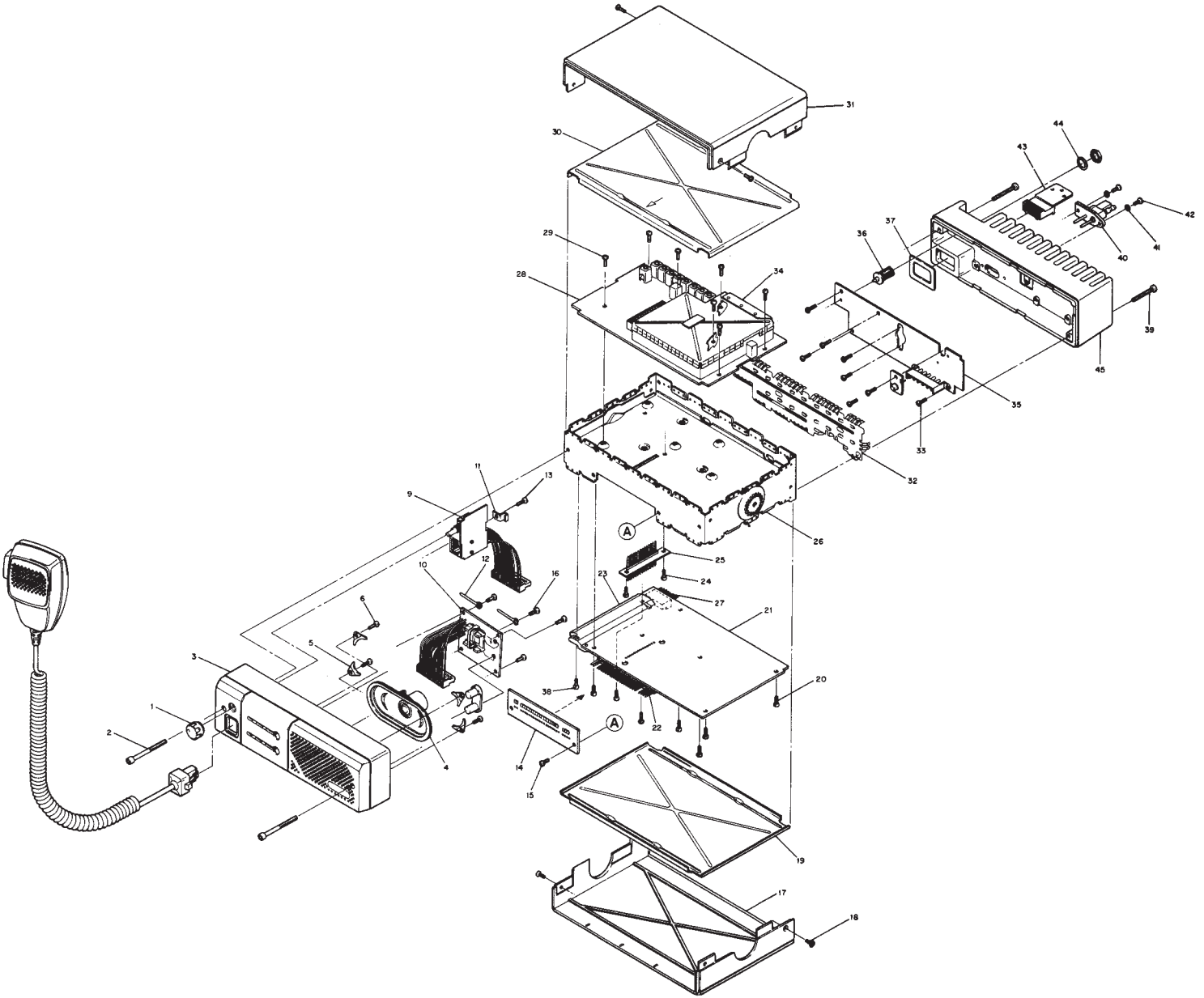


M120 Series

Parts List



Replacement parts are no longer available

M120 Series**Parts List**

| REF. NO. | PART NO. | DESCRIPTION | REF. NO. | PART NO. | DESCRIPTION |
|-------------|----------|-------------|-------------|----------|-------------|
|-------------|----------|-------------|-------------|----------|-------------|

***Cancelled Product M120:
Aftermarket support criteria has
been met for spare parts. Items
are no longer available.***

M10/M120/M130 Series

Mobile Accessories

General Accessories

HLN9457A Hardware Kit for use with the expanded accessory connector (includes 16 connector pins, (9) 8" wires with pins attached and an extra housing)

HLN9573A Shorting Plug Kit for microphone jack—used when application calls for a deskset (covers microphone jack)

Microphones

HMN3001A Compact Microphone with LED Indicator, 10 foot coil cord and hang-up clip



HMN1035C

HMN3596A Compact Palm Microphone with 7 foot coil cord

HMN1035C Heavy Duty Palm Microphone with 10.5 foot coil cord

HMN1037B Non-Backlit Touch-Code Microphone with Hang-Up Clip

HLN9073B Microphone Hang-Up Clip (all microphones)

HLN9559A 7 Foot Coil Cord for microphones (HMN1056 and HMN1035)

HLN9560A 10.5 Foot Extended Coil Cord for heavy duty microphones

AAREX4617A Telephone Style Headset Kit

Control Station Accessories

HKN4139A Power Cable for low control station 12V (1-45 watt models) for control stations shipped before 4/93

HLN3199C High Power Control Station Package (25-60 watt models)

HKN9455A Power Cable for high power control station (25-60 watt models) for control stations shipped before 4/93

HPN4002B Power Supply and Cable (1-25 watt)

HPN4001B Power Supply and Cable (25-60 watt models)

HMN3000B Desk Microphone, black

HMN1038E Desk Microphone, beige

HLN5292BR Base Station Tray

HKN9088B Mobile Mini-U Antenna Adapter—8 foot cable



HMN1038E



HPN4002B

M10/M120/M130 Series

*Mobile
Accessories*

Public Address Accessories



HSN1000B

HKN9324BR 15 Foot Public Address/Speaker Cable (one cable per speaker)

HSN1000B 6 Watt Amplified Eternal Speaker for public address audio (minimum of 1 required)

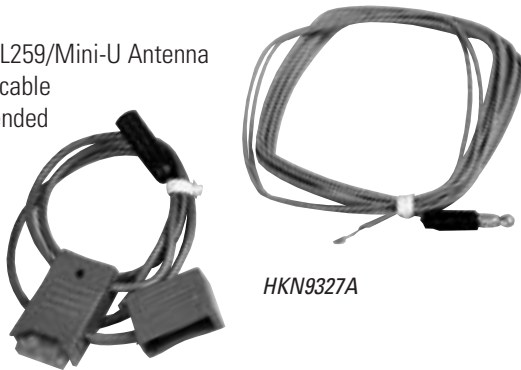
Installation Accessories

HKN4137A Low Power Cable to Battery

HKN4191B High Power Cable to Battery

HKN9327A Ignition Switch Cable (SM50/SM120/M1225 – requires HLN9242)

HKN9557A PL259/Mini-U Antenna Adapter—8" cable (not recommended for 800 MHz)



HKN9327A

2880376E84 Mini-U Connector (all bands)

Mounting Accessories

HLN9284A Key Lock Mounting Bracket

HLN5189A Non-Locking Bracket

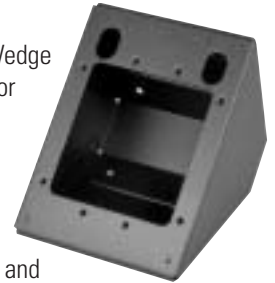
HLN8413A Slide Mount Tray Bracket for vehicle floor hump mount

HLN9404A Sleeve Mounting Bracket

HLN9450A 45-60 degree Floor Mount Wedge (M130 and GM300 – requires HLN9404 or HLN9100/M208-M216 – requires HLN9404)

HLN9100B Three Point Mounting Bracket (for use with HLN9450)

HLN5226B Extra Stability Mount (M130 and GM300—for use with HLN5189 —non-locking mounting bracket)



HLN9450A

HLN8097A Removable Slide Mount Tray Package (a maximum of two external accessory wires can be attached to the slide tray)



HLN8097A

HLN8098A Radio Slide Mount Tray (vehicle half of the slide tray package— HLN8097)

HLN8099A Vehicle Slide Mount Tray (vehicle half of the slide tray package—HLN8097)

HLN8144B Remote Mount Kit—8 foot (assumes use of power cable provided with radio)

HLN9027A In-Dash Bezel Mounting Kit

Alarm Accessories

HLN9328C External Alarm Relay Cable—horn and lights

M10/M120/M130 Series

Antennas, Service Tools

Antennas

VHF

HAD4007A VHF 1/4 Wave Roof Mount Antenna, 144-152 MHz

HAD4008A VHF 1/4 Wave Roof Mount Antenna, 150.8-162 MHz

HAD4009A VHF 1/4 Wave Roof Mount Antenna, 162-174 MHz

HAD4014A VHF 3 dB Gain Roof Mount Antenna, 140-174 MHz

UHF

HAE4003A UHF 1/4 Wave Roof Mount Antenna, 450-470 MHz

HAE4004A UHF 1/4 Wave Roof Mount Antenna, 470-512 MHz

HAE4011A UHF 3.5 dB Gain Roof Mount Antenna, 450-470 MHz

HAE4012A UHF 3.5 dB Gain Roof Mount Antenna, 470-495 MHz

HAE4013A UHF 3.5 dB Gain Roof Mount Antenna, 494-512 MHz

RAE4004ARB UHF 5 dB Gain Roof Mount Antenna, 450-470 MHz



Service Tools

Torque Screwdriver

Measures the amount of torque being applied. Recommended for precise radio assembly. Bits must be ordered separately.

RSX4043A Adjustable Torque Screwdriver



Crimping Tool

For custom installations requiring crimping of Mini-UHF connector.

6680388A26 Crimping Tool



Test Adapter

Used to manually key radio. Must be attached to Program/Test Cable

RLN4137A Test Adapter



6680388A26

RLN4137A

Battery Cable Adapter

6680388A13 Side Mount Battery Cable Adapter



6680388A13

Antenna Adapter

5880367B22 Mini-UHF Adapter

2880376E84 Mini-UHF Connector



5880367B22

M10/M120/M130 Series

Service Aids, Manuals

Service Aids

Computer Interface Cable

Used to connect computer's serial port to Radio Interface Box.

3080369B71 Computer Interface Cable; RIB to 25 pin D

3080369B72 Computer Interface Cable; RIB to 9 pin D

Radio Interface Box

Links radio programming cable and computer interface together. Provides required voltage shift to enable communications between radio and computer. Requires computer interface cable, radio programming cable and a 9 volt snap type battery (6082728J01) or wall mount power supply, order separately.

RLN4008E Radio Interface Box



RLN4008E

Wall Mounted Power Supply

Used to supply power to Radio Interface Box.

0180357A57 Wall Mounted Power Supply (110 volts)

0180358A56 Wall Mounted Power Supply (220 volts)



0180357A57

Service Aids

Programming Software

This software enables you to add or reprogram frequencies as your requirements change. Compatible with IBM XT, AT, Model 30, 50, 60 and 80. Requires Radio Interface Box and proper cables; order separately.

HVN8177F Programming Software, includes diskettes (3-1/2" and 5-1/4"), manual, binder, and storage box. Programs GM300, GR300, GR500, M10, M120 and M130 radios.

Program/Test Cable

Acts as a link between RIB and radio; required to program radio.

3080070N01 Program/Test Cable

Power Supply Cable

HKN4191B Power Supply Cable, High Power (60 watt), replaces HKN9402A

HKN4137A Mobile Power Cable, Low Power (25 watt)

Manuals

| | |
|-------------------|---------------------|
| 6880903Z03 | M10 Service Manual |
| 6880903Z05 | M10 Owner's Manual |
| 6880902Z98 | M120 Service Manual |
| 6880902Z97 | M120 Owner's Manual |
| 6880902Z96 | Operator's Card |
| 6880903Z65 | M130 Service Manual |
| 6880903Z67 | M130 RSS Manual |