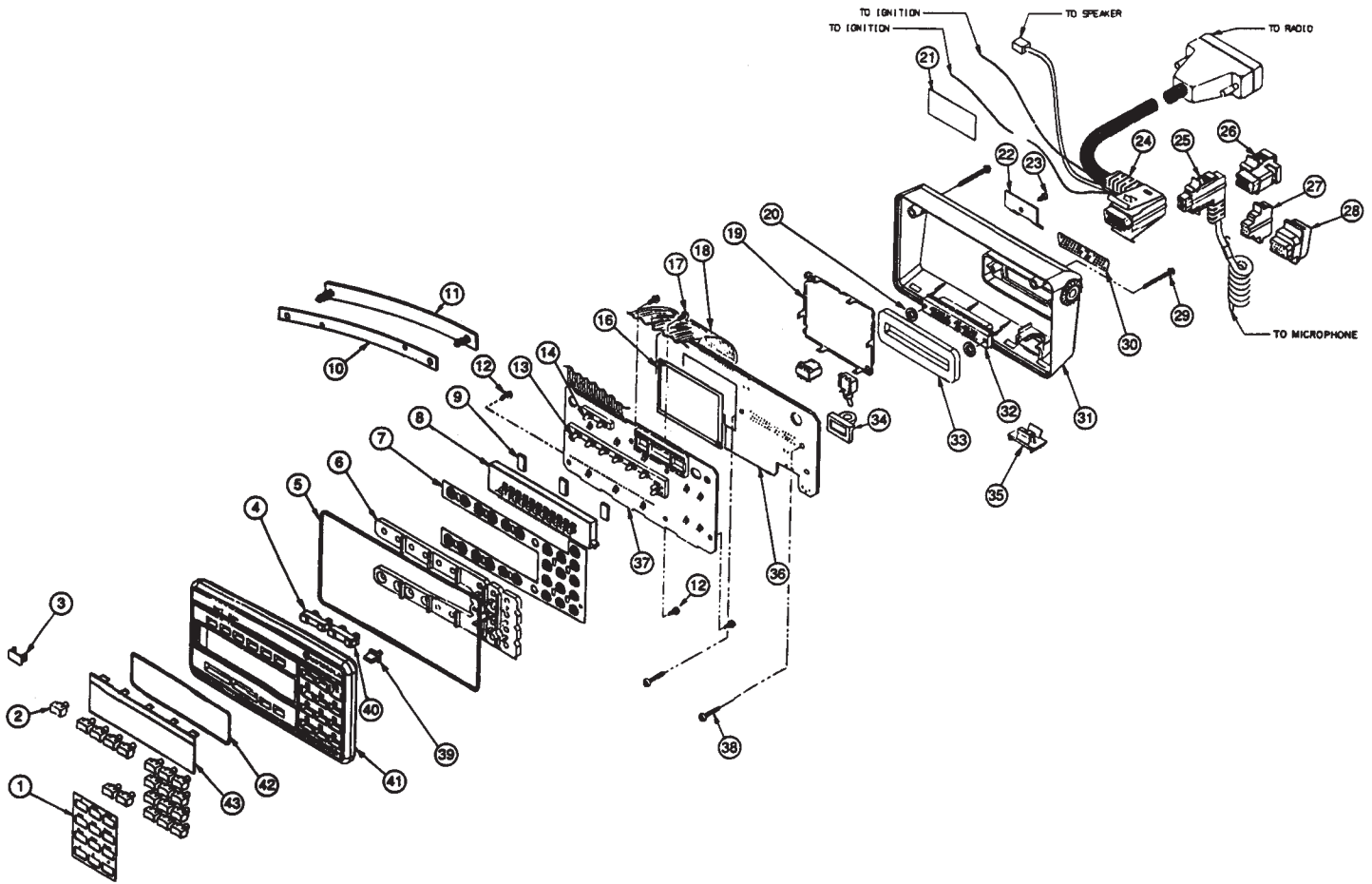


ASTRO DIGITAL SPECTRA Series

Parts List

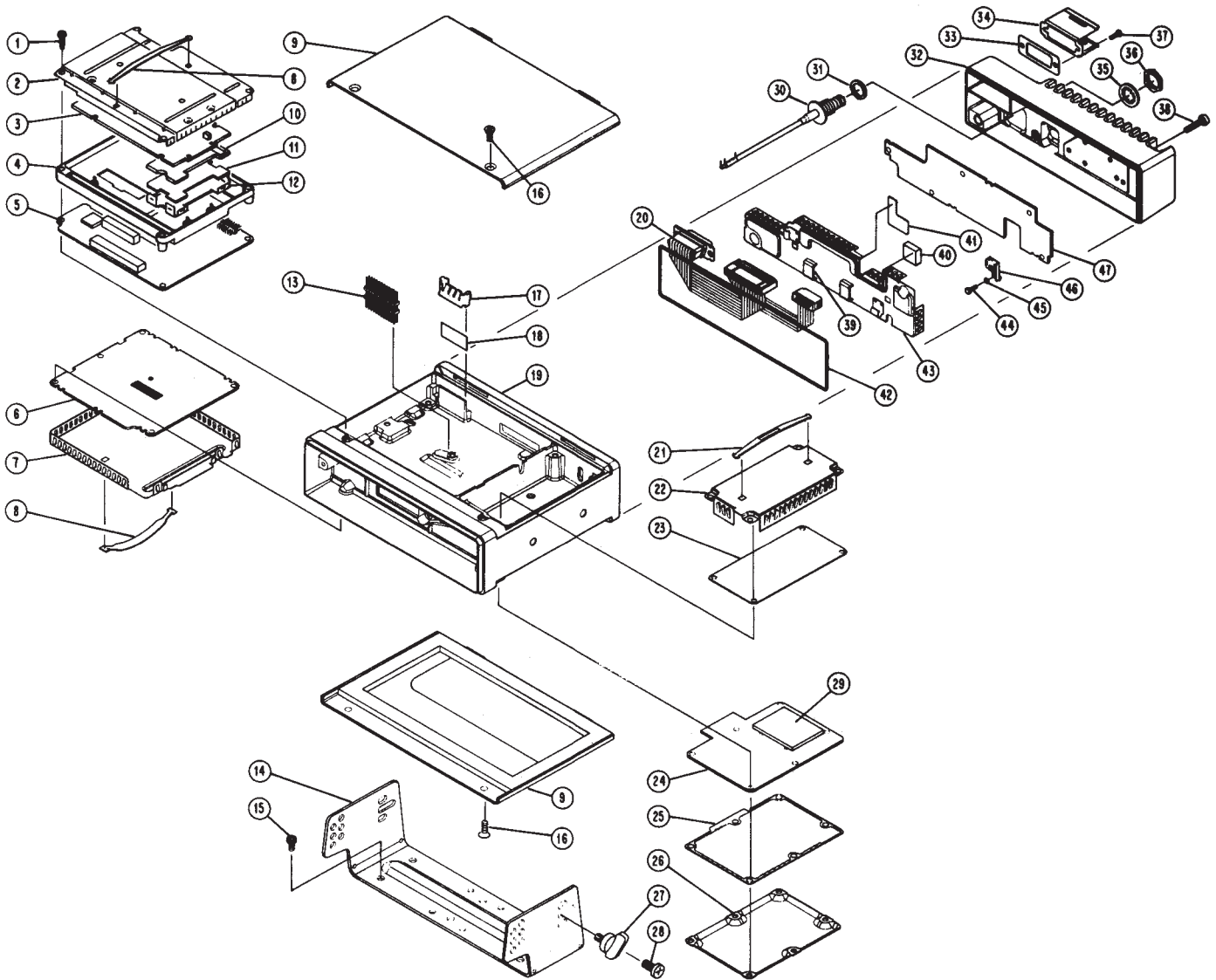


ASTRO DIGITAL SPECTRA Series
Parts List
Control Head

REF. NO.	PART NO.	DESCRIPTION	REF. NO.	PART NO.	DESCRIPTION
1	1380087J01	Escutcheon	19	2680190P02	Shield, component side
2	3805672X26	Button, emergency	20	3205082E90	"O" Ring "D" Connector; 2 used
	3805672X45	Button, dir	21	3380178M01	Nameplate
	3805672X03	Button, scan	22	0784323C01	Bracket, strain relief
	3805672X61	Button, srch	23	0310908A18	Screw, machine
	3805672X12	Button, call	24	HKN4356B	Cable, radio
	3805672X63	Button, page	25	HMN1032B	Microphone Kit
	3805672X41	Button, RPGM	or	HMN1050C	Microphone Kit
	3805672X36	Button, site	or	HMN1052A	Microphone Kit
	3805672X44	Button, PHON	or	HMN1053A	Microphone Kit
	3805672X10	Button, H/L	or	HMN1061A	Microphone Kit
	3805672X62	Button, lock	26	1580221J01	Housing, connector VIP (optional)
	3805672X14	Button, RCL	27	7502118Z01	Cover, rubber dust (MIC)
	3805672X31	Button, SQL	28	0180756T47	Cover, rubber dust (VIP)
	3805672X17	Button, del	29	0310908A33	Screw, machine; 2 used
	3805672X39	Button, home	30	3205198X01	Gasket, face
	3805672X18	Button, sel	31	1505199X01	Housing, back
	3805672X01	Button, blank	32	2805778W01	Connector, mini "D", 50 contact
3	3880253K01	Plug	35	3880128J01	Key, on/off
4	3805670X04	Pushbutton, rocker mode	38	0310945A14	Screw, tapping; 2 used
6	6105126X01	Lightpipe, keypad	39	3880092J05	Key, blank
8	7280242J01	Display, VF	40	3805670X03	Pushbutton, rocker volume
9	7580094M05	Pad, shock; 3 used	42	3205144X01	Gasket, lens
17	0310945A11	Screw, tapping; 5 used			

ASTRO DIGITAL SPECTRA Series

Parts List

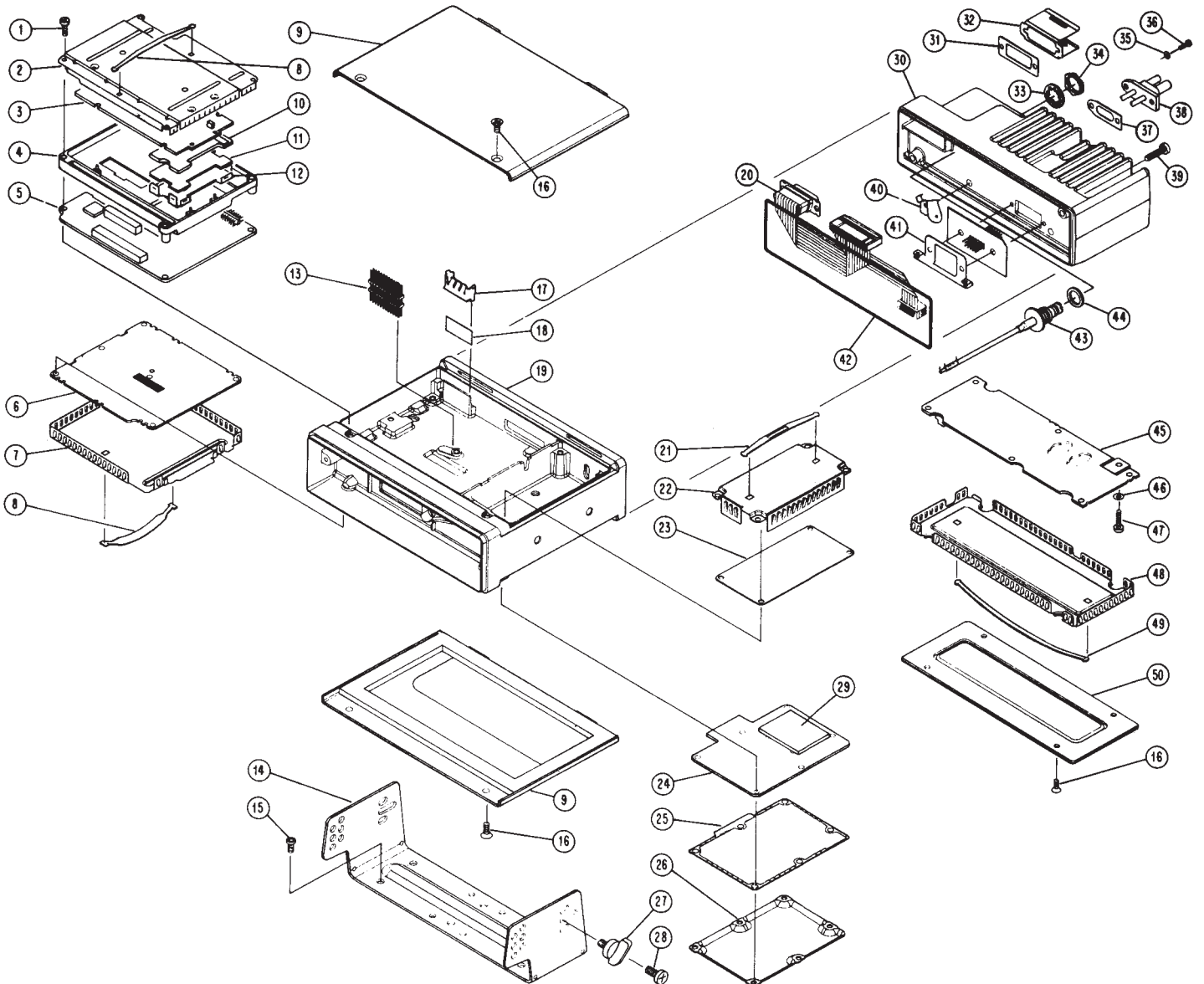


Parts List

REF. NO.	PART NO.	DESCRIPTION	REF. NO.	PART NO.	DESCRIPTION
1	0312016A27	Screw, tapping (3.5 x 0.6 x 22) (board mounting)	28	0380114M02	Screw, machine (5.0 x 0.8 x 10); 8 used
2	2605704V02	Shield, top	29	1580223N02	Cover, VCO Hybrid
3	HLN6458E	Board Kit, controller	30	3080261M01	Cable, mini (includes items 35 and 36)
4	2705703V02	Casting, controller	31	3280089M02	Gasket, antenna
5	HLN5558D	Board Kit, command	32	2680009M02	Heatsink
6	HRN6019A	Board Kit, RF (800 MHz)	33	3280088M01	Gasket, accessory connector
7	1580099L01	Shield, RF board	34	4280016M03	Clip, accessory connector
8	5584300B01	Handle; 2 used	35	0400132718	Lockwasher, internal tooth
10	2605131X01	Shield, encryption board (optional)	36	0280143M01	Nut, hex, 7/16"
11	---	Board, encryption (optional)	37	8380043L01	Screw, metric (3.0 x 10); 4 used
12	4205566W01	Clip, encryption board (optional)	38	0380077M03	Screw, hex socket; 2 used
13	2880260M01	Header, floating	39	4280265M02	Clip, coax PA; 2 used
14	0780086N01	Trunnion, mounting	40	4380104N01	Spacer, PA shield
15	0312002B14	Screw, self-drilling (10-16 x 10); 4 used	41	1480143M01	Insulator, shield
16	0380102P01	Screw, tapping (3.5 x 0.6 x 10); 8 used	42	3280053P01	Gasket, heatsink
17	4280007M01	Clip, regulator	43	2680011M01	Shield, PA board
18	1480001M01	Insulator, regulator	44	0310911A11	Screw, machine (3.5 x 0.5 x 8.0)
19	2780082N01	Chassis, consolidated	45	0480217E01	Washer, compression
20	3080239N02	Cable, PA ribbon	46	2680187N02	Heatsink
21	5584300B01	Handle; 2 used	47	HLF6078B	Board Kit, low-power amplifier (PA) (15W; 800MHz)
22	1580098L01	Cover, front-end receiver	NON-REFERENCED ITEMS		
23	HRF6004B	Board Kit, front-end receiver (800MHz)		3080091M01	Cable, speaker
24	H1289A	VCO Board and Hybrid		7505295B01	Pad, crystal
25	3280247N01	Gasket, VCO		7580094M05	Pad, shock VF display; 3 used
27	0380160E01	Screw, wing (5.0 x 0.8 x 10); 4 used			

ASTRO DIGITAL SPECTRA Series

Parts List



ASTRO DIGITAL SPECTRA Series
Parts List

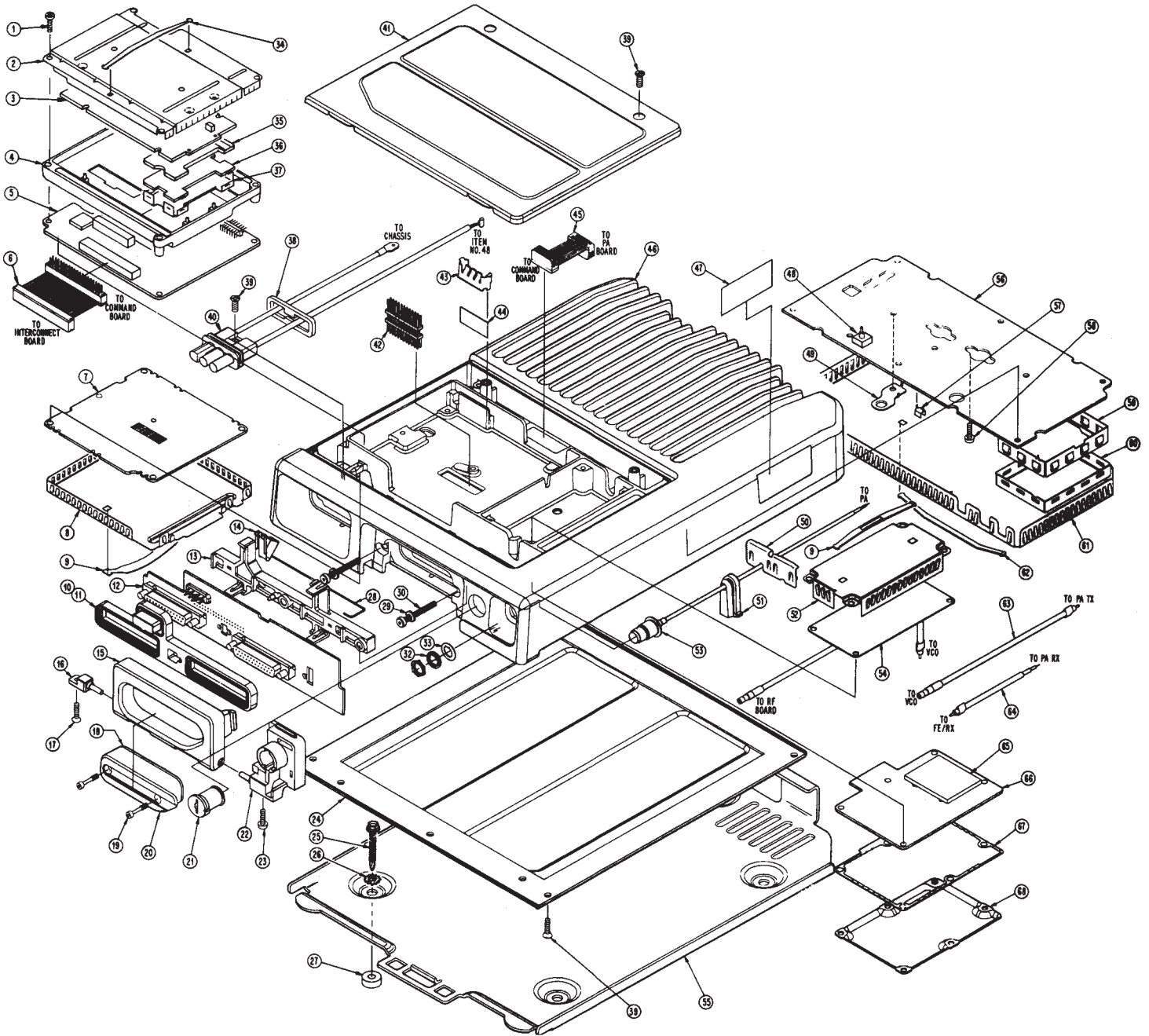
REF. NO.	PART NO.	DESCRIPTION	REF. NO.	PART NO.	DESCRIPTION
1	0312016A27	Screw, tapping (3.5 x 0.6 x 22) (board mounting)	29	1580223N02	Cover, VCO hybrid
2	2605704V02	Shield, top	30	2680010M02	Heatsink, mid-power amplifier (PA)
3	HLN6458	Board Kit, controller	31	3280088M01	Gasket, accessory connector
4	2705703V02	Casting, controller	32	4280016M03	Clip, accessory connector
5	HLN5558	Board Kit, command	33	0401032718	Lockwasher, internal tooth
6	---	Consult basic service manual	34	0280142M01	Nut, hex, 7/16"
7	1580099L01	Shield, RF board	35	0400131974	Washer, flat
8	5584300B01	Handle; 2 used	36	0380043L01	Screw, metric (3.0 x 10); 4 used
9	1580246N01	Cover (includes gasket)	37	3280015M01	Gasket, power connector
10	2605131X01	Shield, encryption board (optional)	38	0980272N02	Connector, power
11	---	Board, encryption (optional)	39	0380077M02	Screw, hex socket; 2 used
12	4295566W01	Clip, encryption board (optional)	40	4280264M02	Clip, coax PA
13	2880260M01	Header, floating	41	4280192N01	Clip, coax
14	0780086N02	Trunnion, mounting	42	3280053P01	Gasket, heatsink
15	0312002B14	Screw, self-drilling (10-16 x 10); 4 used	43	3080261M01	Cable, mini (includes items 33 and 34)
16	0380102P01	Screw, tapping (3.5 x 0.6 x 10); 8 used	44	3280089M02	Gasket, antenna
17	4280007M02	Clip, regulator	45	---	Consult basic service manual
18	---	Insulator, regulator	46	0480217E01	Washer, compression
19	2780082N04	Chassis, consolidated	47	0310911A11	Screw, machine (3.5 x 0.5 x 8.0)
20	3080239N02	Cable, PA ribbon	48	2680186M01	Shield, PA
21	5584300B01	Handle; 2 used	49	5584300B04	Handle
22	1580098L01	Cover, front-end receiver	50	1580048N01	Cover, mid-power PA
23	---	Consult basic service manual			
24	---	Consult basic service manual			
25	3280247N01	Gasket, VCO			
27	0380160E01	Screw, wing (5.0 x 0.8 x 10); 4 used			
28	0380114M02	Screw, machine (5.0 x 0.8 x 10); 8 used			

NON-REFERENCED ITEMS

3080091M01	Cable, speaker
7505295B01	Pad, crystal
7580094M05	Pad, shock VF display; 3 used

ASTRO DIGITAL SPECTRA Series

Parts List



ASTRO DIGITAL SPECTRA Series

Parts List

REF. NO.	PART NO.	DESCRIPTION	REF. NO.	PART NO.	DESCRIPTION
1	0312016A27	Screw, tapping (3.5 x 0.6 x 22) (board mounting)	38	3205457V01	Gasket, power connector
2	2605704V02	Shield, top	39	0380102P01	Screw, tapping
3	HLN6458	Board Kit, controller	40	3080114R02	Connector, power
4	2705703V02	Casting, controller	41	1580217R01	Cover, top
5	HLN5558	Board Kit, command	42	2880260M01	Header, floating
6	3030211R01	Cable, command board to interconnect board ribbon	43	4280007M02	Clip, regulator
7	---	Consult basic service manual	44	---	Insulator, regulator
8	1580099L01	Shield, RF board	45	3080212R01	Cable, command board to PA board ribbon
9	5584300B01	Handle; 2 used	46	2780133P02	Chassis
10	3280206R01	Gasket, connector	47	3380080E01	Nameplate, FCC
11	3280206R02	Gasket, connector SECURENET	48	0780255R01	Bracket, feedthrough
12	HLN5558	Board Kit, interconnect	49	2680201R01	Heatsink, diode-bracket
13	4380110R01	Spacer, interconnect board	50	4280261R01	Clip, antenna coaxial
14	4280232R01	Clip, interconnect board	51	3280120R01	Gasket, mini-internal connector
15	5580102R01	Handle	52	1580098L01	Shield, front-end receiver
16	4780176P01	Pin, pivot	53	3080261M03	Cable, mini
17	0310943R55	Screw, tapping	54	---	Consult basic service manual
18	3280118R01	Cover, gasket	55	1580132P01	Tray, mounting
19	0380214R01	Screw, captive	56	---	Consult basic service manual
20	3880122R01	Connector	57	4280202R01	Clip, coaxial
21	5580370A01	Lock	58	0310911A11	Screw, machine
22	1580218R01	Housing, lock	59	2680139P01	Shield, harmonic filter
23	0380043L01	Screw, tapping	60	1580208R01	Cover, harmonic shield
24	1580216R01	Cover, bottom	61	2680138P02	Shield, power amplifier (PA)
25	0312002A28	Screw, self-drilling	62	5584300B04	Handle, PA shield
26	0400007688	Lockwasher	63	3080152M15	Cable, coaxial transmitter
27	4382292M01	Bushing, spacer	64	3080037R12	Cable coaxial receiver
29	0405171J03	Washer, fiber	65	1580223N02	Cover, VCO hybrid
30	0310908A97	Screw, machine	66	---	Consult basic service manual
32	0400132718	Lockwasher, internal tooth, 7/16"	67	3280247N01	Gasket, VCO
33	0480285R01	Washer, special	NON-REFERENCED ITEMS		
34	5584300B01	Handle	3080091M01	Cable, speaker	
35	2605131X01	Shield, encryption board (optional)	7505295B01	Pad, crystal	
37	4205566W01	Clip, encryption board (optional)	7580094M05	Pad, shock VF display; 3 used	

ASTRO DIGITAL SPECTRA Series

*Mobile
Accessories*

Microphones



HMN1053B

HMN1080A Standard Palm Microphone

HMN1053B DTMF Microphone (not compatible w/astro digital spectra)

5084898K10 Noise Cancelling Microphone

HMN1061A Palm Microphone for use with astro digital spectra W9 radio

HMN1050D Desk Top Microphone (for control station operation)

HLN1220B Handset with Hang Up Box

HMN1079A Water Resistant Palm Microphone



HLN1220B

Sirens

H1336A Siren/Public Address, provides hi-lo, yelp, and airhorn tones controlled through supplemental housing

H1337A Public Address Only

Speakers

Speaker for Siren and Public Address



TDN6253A

TDN6251A Siren Speaker Round with Chrome Finish

TDN6252A Siren Speaker Rectangular with Chrome Finish

TDN6253A Siren Speaker Underhood with Grey Finish

TDN6254A Siren Speaker Round with Grey Finish

External Speaker

Provides Audio for High Ambient Noise Environments

HSN4018B External Speaker



HSN4018B



TDN6254A

ASTRO DIGITAL SPECTRA Series

*Mobile
Accessories*

Control Station Accessories

HPN4001B Control Station Power Supply

HKN4139A Power Cable

HLN6042A Control Station Tray

HMN1050D Desktop Microphone



Mounting Hardware

Quick Release Side Mount

RLN4074A Quick Release Side Mount Kit, includes radio mount, vehicle mount, and mounting hardware



RLN4074A

Quick Release Side Mount Accessories

RLN4075A Radio Mount with Hardware

RLN4076A Vehicle Mount with Hardware

RLN4077A Angle Bracket with 20° Fixed Angle and 50° Swivel

RLN4078A Flat Bracket with 50° Swivel

Miscellaneous Hardware

HLN6025A Key Lock Mount

HLN6008A Remote Mount Kit, with 17 Foot Cable



HLN6025A

Emergency Switch



HLN5113B

Enables user to send an emergency message to a console, where their unit ID can be displayed and an alarm sounded.

HLN5131B External Emergency Button

HLN5113B Emergency Footswitch

ASTRO DIGITAL SPECTRA Series

Antennas, Service Aids

Antennas

800 MHz

HAF4002A 1/4 Wave, roof top (806-900 MHz)

RRA4983A 3dB, roof top (806-900 MHz)

900 MHz

RRA4935A 3dB, roof top w/14 ft. cable (890-960 MHz)

RAF4003ARM 3dB, roof top w/22 ft. cable (890-960 MHz)

VHF

HAD4006A 1/4 Wave, roof top (136-144 MHz)

HAD4007A 1/4 Wave, roof top (144-152 MHz)

HAD4008A 1/4 Wave, roof top (150.8-162 MHz)

HAD4009A 1/4 Wave, roof top (162-174 MHz)

RAD4010ARB 3dB, roof top (136-174 MHz)



RRA4935A



HAE4003A

UHF

HAE4002A 1/4 Wave, roof top (403-430 MHz)

HAE4003A 1/4 Wave, roof top (450-470 MHz)

HAE4004A 1/4 Wave, roof top (470-512 MHz)

HAE4010A 3.5dB, roof top (406-420 MHz)

HAE4011A 3.5dB, roof top (450-470 MHz)

HAE4012A 3.5dB, roof top (470-495 MHz)

HAE4013A 3.5dB, roof top (494-512 MHz)

Service Aids

Computer Interface Cable

Used to connect computer's serial port to Radio Interface Box (RIB).

3080369B71 Computer Interface Cable; RIB to 25 pin D

3080369B72 Computer Interface Cable; RIB to 9 pin D

Radio Interface Box

Links radio programming cable and computer interface together. Provides required voltage shift to enable communications between radio and computer. Requires computer interface cable, radio programming cable and a 9 volt snap type battery (6082728J01) or wall mount power supply; order separately.



RLN4008E

RLN4008E Radio Interface Box

Wall Mounted Power Supply

Used to supply power to Radio Interface Box.

0180357A57 Wall Mounted Power Supply (110 volts)

0180358A56 Wall Mounted Power Supply (220 volts)



0180357A57

Programming Software

This software enables you to add/or reprogram frequencies as your requirements change. Compatible with IBM XT, AT, Model 30, 50, 60 and 80. Requires Radio Interface Box and proper cables; order separately.

RVN4100F Programming Software, includes 3-1/2" diskette, manual, binder, and storage box.

Program/Test Cable

Acts as a link between RIB and radio; required to program radio.

0180300B10 Program/Test Cable, High Power

3080369B73 Program/Test Cable, Low/Mid Power

RKN4047A Radio Flash Programming Cable

ASTRO DIGITAL SPECTRA Series

Service Tools, Manuals

Service Tools



RSX4043A

Torque Screwdriver

Measures the amount of torque being applied. Recommended for precise radio assembly. Bits must be ordered separately.

RSX4043A Adjustable Torque Screwdriver

Insertion and Extraction Tool

Installs and/or removes wires from accessory connector.

6680163F01 Insertion and Extraction Tool



6680163F01

Hex L-Shaped Key Set

Recommended for front panel and PA removal/installation. 10-piece set from 1.27mm to 6mm.

0180370B87 Metric Hex L-Shaped Key Set

Crimping Tool

For custom installations requiring crimping of Mini-UHF RF connector

6680388A26 Crimping Tool



6680388A26

Analyzing Accessory

Provides necessary board extension cables for servicing digital and analog modules of the radio.

RPX4725C Analyzing Accessory

Service Tools

RF Service Cables

3080373B25 RF Injection Board Output Cable. Connects to the RX injection output of the VCO assembly for testing RF injection level

3080373B26 BNC (M) to SMB (M) Cable

3080373B41 BNC (F) to Taiko-Denki (M) Cable

3080373B27 BNC (M) to SMB (F) Cable

RF Service Cable Kit

TKN8531C Key-Variable Loader Cable

5880384G68 SMA to BNC Adapter

5880367B21 Mini-UHF Male to 'N' Female Adapter

0180320B16 Magnetic Screwdriver Set with Bits

Service Manuals

6881076C20 Astro Digital Spectra Basic Service Manual, VHF, UHF, 800 MHz

6881076C25 Astro Digital Spectra Detailed Service Manual, VHF, UHF, 800 MHz

6880101W33 Spectra Detailed Service Manual

6881074C45 Spectra Service Manual, 800 MHz

6880101W37 Spectra Service Manual, 900 MHz

6881070C95 Spectra Service Manual, VHF

6880101W39 Spectra Service Manual, UHF

6880102W33 Spectra Service Manual, SECURENET